



Chipsmall Limited consists of a professional team with an average of over 10 year of expertise in the distribution of electronic components. Based in Hongkong, we have already established firm and mutual-benefit business relationships with customers from,Europe,America and south Asia,supplying obsolete and hard-to-find components to meet their specific needs.

With the principle of "Quality Parts,Customers Priority,Honest Operation,and Considerate Service",our business mainly focus on the distribution of electronic components. Line cards we deal with include Microchip,ALPS,ROHM,Xilinx,Pulse,ON,Everlight and Freescale. Main products comprise IC,Modules,Potentiometer,IC Socket,Relay,Connector.Our parts cover such applications as commercial,industrial, and automotives areas.

We are looking forward to setting up business relationship with you and hope to provide you with the best service and solution. Let us make a better world for our industry!



## Contact us

Tel: +86-755-8981 8866 Fax: +86-755-8427 6832

Email & Skype: info@chipsmall.com Web: www.chipsmall.com

Address: A1208, Overseas Decoration Building, #122 Zhenhua RD., Futian, Shenzhen, China



SJ104185  
(DRAWING NO.) (台番図)

版数 REV.	年月日 DATE	DCN NO.	変更内容 DESCRIPTION	製図 DR.	担当 CHK.	査閲 APPD.	承認 APPD.
2	20.Sep.2005	058281	形状変更,寸法追記	G.SAITOU	A.NATORI	—	A. Matsunaga

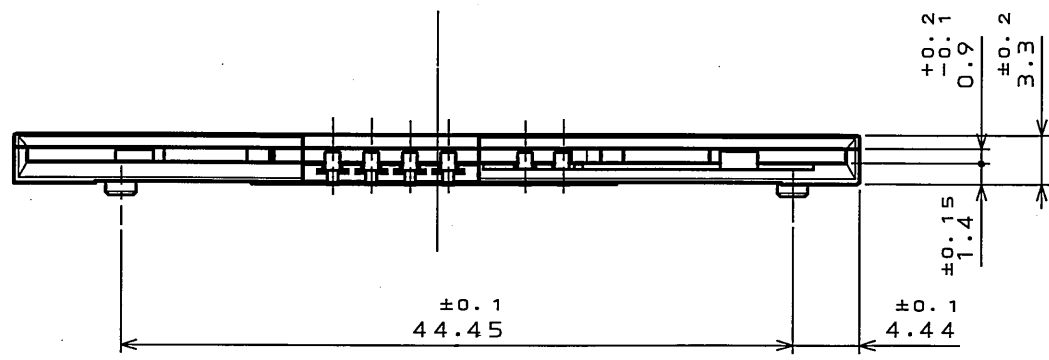
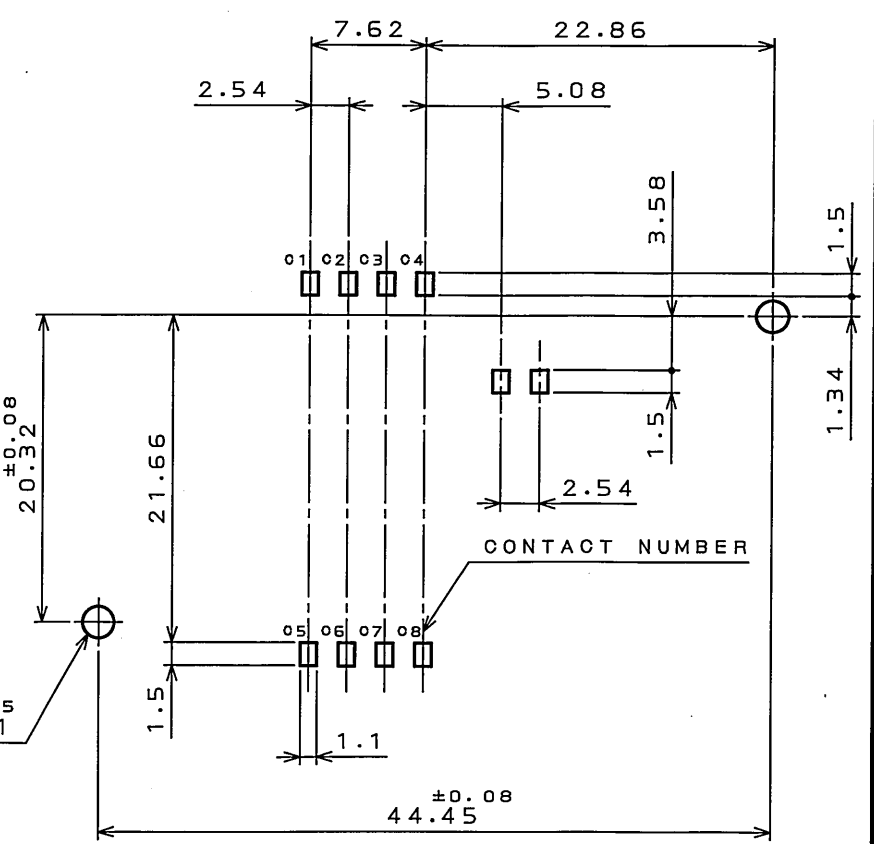
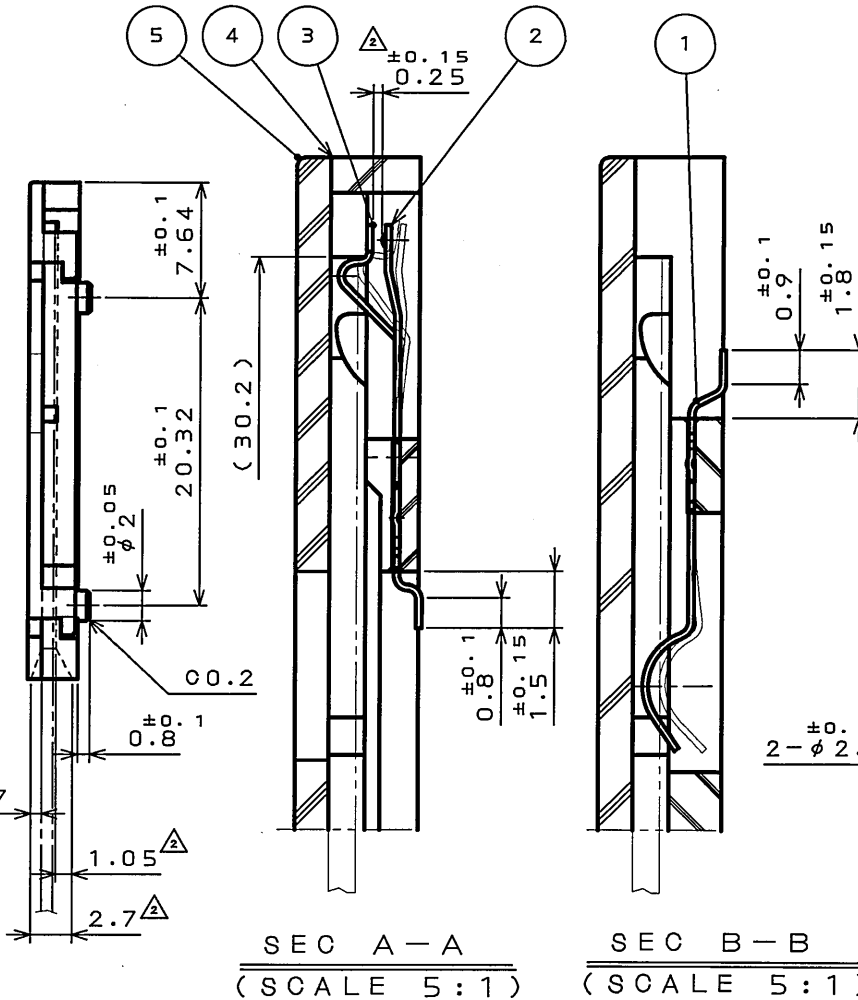
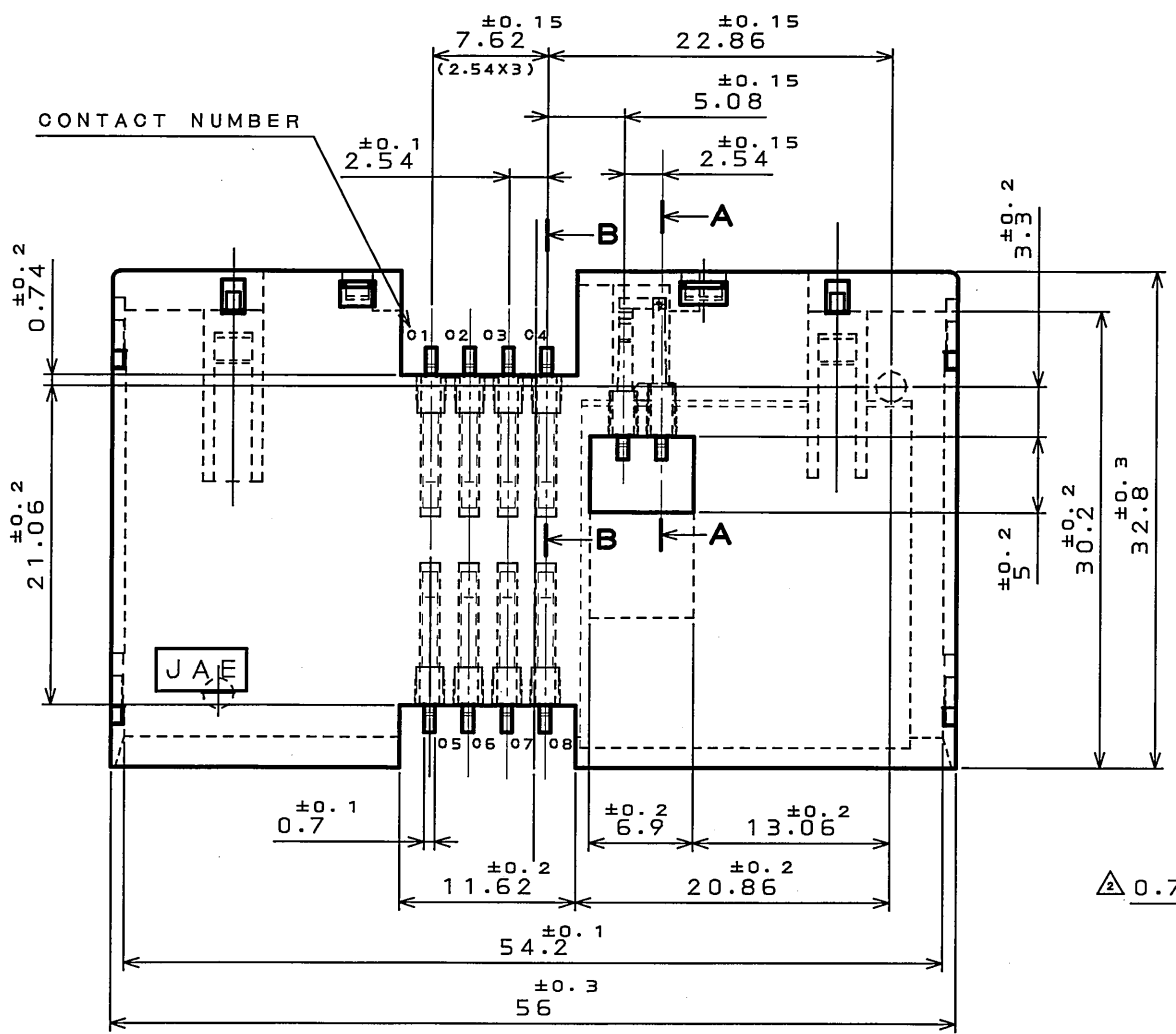


TABLE 1. CONTACT FINISH

CONTACT AREA	TERMINAL AREA
GOLD (0.03μm MIN) OVER PALLADIUM-NICKEL(0.4μmMIN) OVER NICKEL	Au FLUSH OVER NIKEL

符号 NO.	名称 DESCRIPTION	個数 QTY.	材料 MATERIAL	仕上 FINISH	備考 REMARKS
5	COVER INSULATOR	1	GLASS FILLED PPS	—	UL94 V-0 COLOR:BLACK
4	BASE INSULATOR	1	GLASS FILLED PPS	—	UL94 V-0 COLOR:BLACK
3	SWITCH CONTACT B	1	COPPER ALLOY	TABLE 1	JIS H 3110
2	SWITCH CONTACT A	1	COPPER ALLOY	TABLE 1	JIS H 3110
1	CONTACT	8	COPPER ALLOY	TABLE 1	JIS H 3110

仕様書 (SPECIFICATION)		第1版 (ORIGINAL DATE)	尺度 (SCALE)	シリーズ (SERIES)	日本航空電子工業株式会社 JAPAN AVIATION ELECTRONICS INDUSTRY, LTD. 
JACS-1522-*		12.Apr.2005	2:1	—	
公差 (GENERAL TOLERANCE)		製図 DR.	名称 (TITLE)		
寸法 (DIMENSION)		担当 CHK.	SF3W010S9AE		
· ±0.8	×° ±	査閲 APPD.	質量 (MASS)		
·X ±0.4	×°X ±	承認 APPD.	SF		
·XX ±0.1					図面番号 (DRAWING NO.)
·XXX ±					SJ104185

DOF-0-212E(03.08)

