



Chipsmall Limited consists of a professional team with an average of over 10 year of expertise in the distribution of electronic components. Based in Hongkong, we have already established firm and mutual-benefit business relationships with customers from,Europe,America and south Asia,supplying obsolete and hard-to-find components to meet their specific needs.

With the principle of “Quality Parts,Customers Priority,Honest Operation,and Considerate Service”,our business mainly focus on the distribution of electronic components. Line cards we deal with include Microchip,ALPS,ROHM,Xilinx,Pulse,ON,Everlight and Freescale. Main products comprise IC,Modules,Potentiometer,IC Socket,Relay,Connector.Our parts cover such applications as commercial,industrial, and automotives areas.

We are looking forward to setting up business relationship with you and hope to provide you with the best service and solution. Let us make a better world for our industry!



## Contact us

Tel: +86-755-8981 8866 Fax: +86-755-8427 6832

Email & Skype: info@chipsmall.com Web: www.chipsmall.com

Address: A1208, Overseas Decoration Building, #122 Zhenhua RD., Futian, Shenzhen, China



# Panasonic

NEW

Ultra-slim  
LIGHT CURTAIN

Type 2 PLc SIL1

SF2C SERIES

CE  
Conforming to Machine  
& EMC Directive

TUM  
Certified

TUM  
Certified by  
NRTL

Conforming to  
OSHA / ANSI

## Introducing Type 2 Ultra-slim Light Curtains!

Featuring easy installation  
and reduced wiring

### Large built-in multi-purpose indicators

Includes a large indicator that  
supports an extensive range of  
applications via external input.

13.2mm

Smart equipment

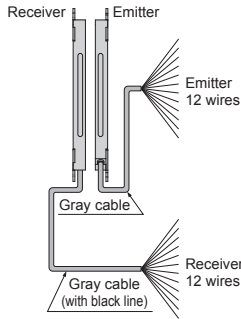
SF2C (with mounting bracket)

\*The picture is an image.

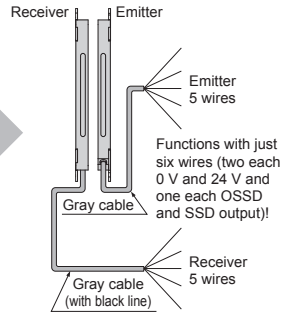
## Dramatically less wiring work

Light curtain wiring consists of just five wires each for the emitter and receiver, allowing you to easily implement safety measures in about the same amount of time as with an area sensor.

### SF4C Series (Type4)



### SF2C Series (Type2)



Note: Requires a safety circuit architecture that complies with the desired control category implemented using either an **SF-C13** Control Unit, a safety relay, or other equipment.

## Slim size for efficient applications

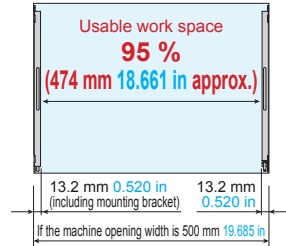
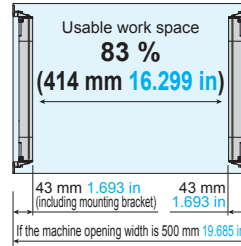
Available work space is expanded from the previous model, and productivity is improved.

If the machine opening is 500 mm **19.685 in**

Previous

**SF2C Series**

Usable work space approx.  
**12% UP**  
(60 mm 2.362 in)



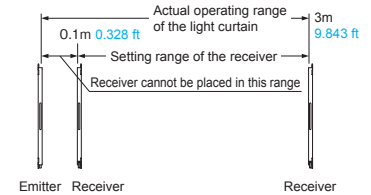
## ORDER GUIDE

### Light curtains

Type	Appearance	Operating range (Note 1)	Model No. (Note 2)		No. of beam Channels	Protective height (mm in)
			PNP output type	NPN output type		
Hand protection type Min. sensing object: $\phi 25$ mm $\phi 0.984$ in (20 mm $0.787$ in beam pitch)		0.1 to 3m 0.328 to 9.843 in	SF2C-H8-P	SF2C-H8-N	8	160 6.299
			SF2C-H12-P	SF2C-H12-N	12	240 9.449
			SF2C-H16-P	SF2C-H16-N	16	320 12.598
			SF2C-H20-P	SF2C-H20-N	20	400 15.748
			SF2C-H24-P	SF2C-H24-N	24	480 18.898
			SF2C-H28-P	SF2C-H28-N	28	560 22.047
			SF2C-H32-P	SF2C-H32-N	32	640 25.197

Notes: 1) The operating range is the possible setting distance between the emitter and the receiver.

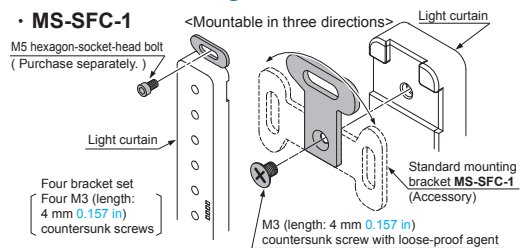
2) The model No. with suffix "E" shown on the label affixed to the product is the emitter, "D" shown on the label is the receiver.



### Spare parts (Accessories for light curtain)

Designation	Model No.	Description
Standard mounting bracket	<b>MS-SFC-1</b>	Allows the light curtain to be mounted at the rear with one M5 hexagon-socket-head bolt. Mounting direction of the bracket can be selected between vertical or horizontal (no dead zone). (4 pcs. per set for emitter and receiver)
Test rod $\phi 25$	<b>SF4C-TR25</b>	Min. sensing object for regular checking ( $\phi 25$ mm $\phi 0.984$ in)

### Standard mounting bracket



## OPTIONS

### Mounting bracket

Designation	Model No.	Description
<b>NA2-N</b> compatible mounting bracket	<b>MS-SFC-2</b>	Used when changing over area sensor <b>NA2-N</b> series to the <b>SF2C</b> series. The mounting holes of <b>NA2-N</b> series can continue to be used. Center mounting by a M6 hexagon-socket-head bolt is also possible. (4 pcs. per set for emitter and receiver)
Versatile bracket	<b>MS-SFC-3</b>	Two ways of mounting are possible. ① Rear mounting which enables beam adjustment ② Dead zoneless center mounting on aluminum frame (4 pcs. per set for emitter and receiver)
Intermediate supporting bracket for versatile bracket	<b>MS-SFC-4</b>	Used to support the light curtain in the middle. Be sure to purchase it when using <b>MS-SFC-3</b> on <b>SF2C-H28-P</b> , <b>SF2C-H28-N</b> , <b>SF2C-H32-P</b> , <b>SF2C-H32-N</b> . (2 pcs. per set for emitter and receiver)

### Metal protection case

Applicable beam channels	Designation	Metal protection case (2 pcs. per set for emitter and receiver)
	<b>SF2C-H□</b>	Model No.
8		<b>MS-SFCH-8</b>
12		<b>MS-SFCH-12</b>
16		<b>MS-SFCH-16</b>
20		<b>MS-SFCH-20</b>
24		<b>MS-SFCH-24</b>
28		<b>MS-SFCH-28</b>
32		<b>MS-SFCH-32</b>

• MS-SFCH-8 • MS-SFCH-□ (Excluding MS-SFCH-8)

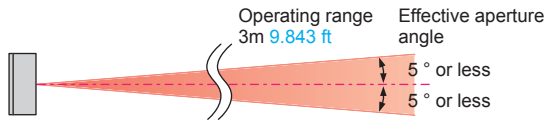


### Control unit

Designation	Appearance	Model No.	Description
Slim type control unit		<b>SF-C13</b>	Use a discrete wire cable to connect to the light curtain. Relay output. Compatible with up to control category 4 (control category 2 when used together with the <b>SF2C</b> series).

## Beam axis alignment made easy

The emitter has an effective aperture angle of  $\pm 5^\circ$  or less for an operating range of 3 m **9.843 ft**. Compared to Type 4 light curtains (which have an effective aperture angle of  $\pm 2.5^\circ$  or less), the **SF2C** series is easy to align and install.



## Includes cables and mounting brackets

The **SF2C** series includes cables (3 m **9.843 ft**) for use with all models and standard mounting brackets (**MS-SFC-1**).

## Simple Safety Distance Calculations

The response time of all finger protection light curtains in the finger type is 20 ms or less. Recalculation of the safety distance is unnecessary for each time light curtain length is changed.

## Light weight!

The **SF2C** series is made of resin that is lighter than the conventional aluminum case type\*. Its lightweight body eases the burden on the mounting surface of the equipment and contributes to overall reduced weight during equipment transportation or overseas shipment.

\*Except the cable part

## Protection structure IP67

An IP67 (IEC) rating is achieved with an ultra-slim size for protection from environmental factors.

## SPECIFICATIONS

### Light curtain common specifications

Item	Type	PNP output type	NPN output type
	Model No.	SF2C-H□-P	SF2C-H□-N
Operating range		0.1 to 3 m <b>0.328 to 9.843 ft</b>	
Beam pitch		20 mm <b>0.787 in</b>	
Min. sensing object		ø25 mm <b>ø0.984 in</b> opaque object	
Effective aperture angle		$\pm 5^\circ$ or less [for an operating range exceeding 3 m <b>9.843 ft</b> (conforming to IEC 61496-2 / UL 61496-2)]	
Supply voltage		24 V DC $\pm 20\%$ Ripple P-P 10 % or less	
Control output (OSSD)		Max. source current: 200 mA	Max. sink current: 200 mA
	Operation mode	ON when all beam channels are received, OFF when one or more beam channels are interrupted (OFF also in case of any malfunction in the light curtain or the synchronization signal)	
Response time	Protection circuit	Incorporated	
		OFF response: 20 ms or less, ON response: 80 to 100 ms	
Lockout output (SSD)		Max. source current: 60 mA	Max. sink current: 60 mA
	Operation mode	ON during normal operation, OFF during lockout (Note2)	
Pollution degree	Protection circuit	Incorporated	
		3	
Operating altitude		2,000 m <b>6561.680 ft</b> or less (Note3)	
Environmental resistance	Degree of protection	IP65, IP67 (IEC)	
	Ambient temperature	-10 to +55 °C <b>+14 to +131 °F</b> (No dew condensation or icing allowed), Storage: -25 to +60 °C <b>-13 to +140 °F</b>	
	Ambient humidity	30 to 85 % RH, Storage: 30 to 85 % RH	
Emitting element		Infrared LED (Peak emission wavelength: 850 nm <b>0.034 mil</b> )	
Cable		0.16 mm <sup>2</sup> 5-core heat-resistant PVC cable, 3 m <b>9.842 ft</b> long	
Material		Enclosure: Polycarbonate alloy, Sensing surface: Polycarbonate alloy, <b>MS-SFC-1</b> (Standard mounting bracket) : Stainless steel (SUS)	
Accessories		<b>MS-SFC-1</b> (Standard mounting bracket): 1 set, <b>SF4C-TR25</b> (Test rod): 1 No.	

Notes: 1) Where measurement conditions have not been specified precisely, the conditions used were an ambient temperature of +20 °C **+68 °F**.

2) If the emitter enters a lockout state, and light from the emitter enters the receiver, lockout information will be transmitted and lockout output (SSD) will turn OFF.

3) Do not use or storage in environment of more than atmospheric pressure at sea level.

### Light curtain individual specifications

Item	Type	Min. sensing object ø25 mm <b>ø0.984 in</b> (20 mm <b>0.787 in</b> beam pitch)							
		PNP output type	SF2C-H8-P	SF2C-H12-P	SF2C-H16-P	SF2C-H20-P	SF2C-H24-P	SF2C-H28-P	SF2C-H32-P
No. of beam channels	NPN output type	SF2C-H8-N	SF2C-H12-N	SF2C-H16-N	SF2C-H20-N	SF2C-H24-N	SF2C-H28-N	SF2C-H32-N	
		8	12	16	20	24	28	32	
Protective height		160 mm <b>6.299 in</b>	240 mm <b>9.449 in</b>	320 mm <b>12.598 in</b>	400 mm <b>15.748 in</b>	480 mm <b>18.898 in</b>	560 mm <b>22.047 in</b>	640 mm <b>25.197 in</b>	
Current consumption	Large multi-purpose indicator lights off	Emitter: 25 mA or less Receiver: 25 mA or less	Emitter: 30 mA or less Receiver: 30 mA or less		Emitter: 35 mA or less Receiver: 35 mA or less				
	Large multi-purpose indicator lights up	Emitter: 35 mA or less Receiver: 30 mA or less	Emitter: 35 mA or less Receiver: 35 mA or less	Emitter: 40 mA or less Receiver: 35 mA or less	Emitter: 40 mA or less Receiver: 40 mA or less	Emitter: 45 mA or less Receiver: 40 mA or less	Emitter: 45 mA or less Receiver: 45 mA or less	Emitter: 50 mA or less Receiver: 45 mA or less	
PFHD (Note)	PNP output type	$3.60 \times 10^{-9}$	$3.66 \times 10^{-9}$	$3.73 \times 10^{-9}$	$3.79 \times 10^{-9}$	$3.85 \times 10^{-9}$	$3.92 \times 10^{-9}$	$3.98 \times 10^{-9}$	
	NPN output type	$3.74 \times 10^{-9}$	$3.80 \times 10^{-9}$	$3.86 \times 10^{-9}$	$3.93 \times 10^{-9}$	$3.99 \times 10^{-9}$	$4.05 \times 10^{-9}$	$4.12 \times 10^{-9}$	
MTTFd (Note)		100 years or more							
Net weight (Total of emitter and receiver)		280 g approx.	340 g approx.	400 g approx.	460 g approx.	520 g approx.	580 g approx.	640 g approx.	

Note: PFHD; Probability of dangerous failure per hour, MTTFd; Mean time to dangerous failure.

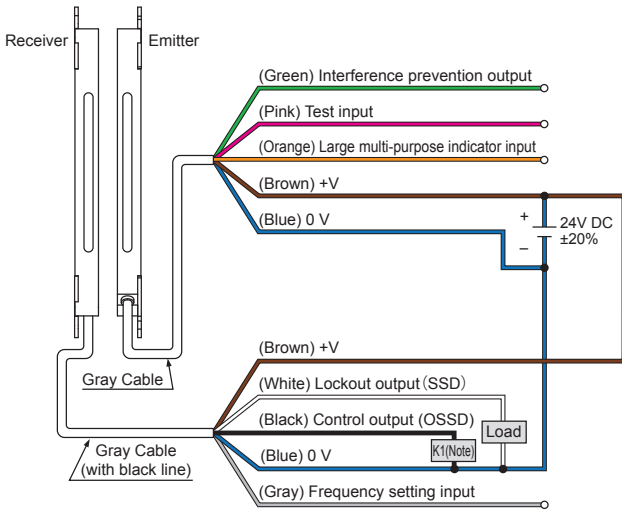
# I/O CIRCUIT AND WIRING DIAGRAMS

## Connection example

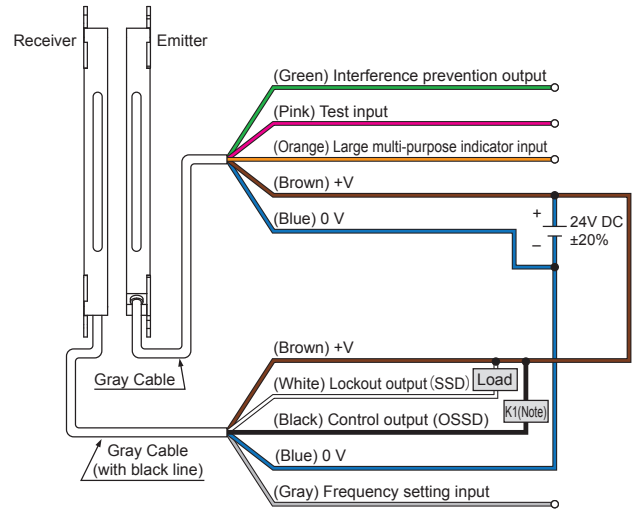
### Basic wiring: Min. operation only

This is the general configuration using one set of the emitter and receiver facing each other. The control output (OSSD) turns OFF if the light is interrupted, while it automatically turns ON if receive the light.

#### <PNP output type SF2C-H□-P>



#### <NPN output type SF2C-H□-N>



Note: Requires a safety circuit architecture that complies with the desired control category implemented using either an SF-C13 Control Unit, a safety relay, or other equipment.

## DIMENSIONS (Unit: mm in)

The CAD data in the dimensions can be downloaded from our website. Refer to our web site for the dimensions of mounting bracket etc.

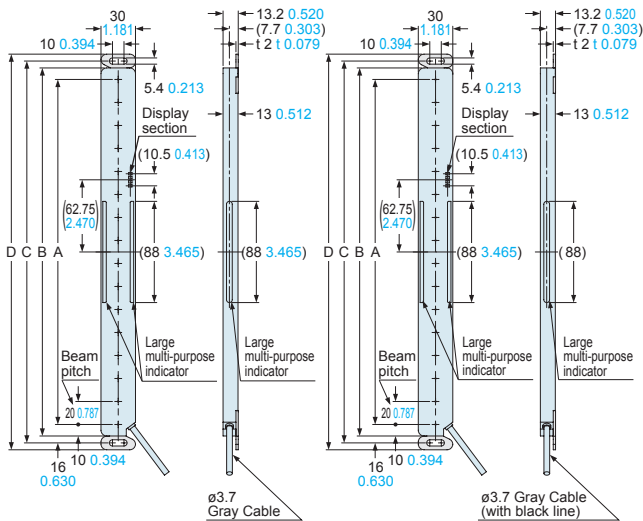
### SF2C-H□

Light curtain

## Mounting bracket assembly dimensions

Mounting drawing for the light curtains using the standard mounting brackets MS-SFC-1 (accessory).

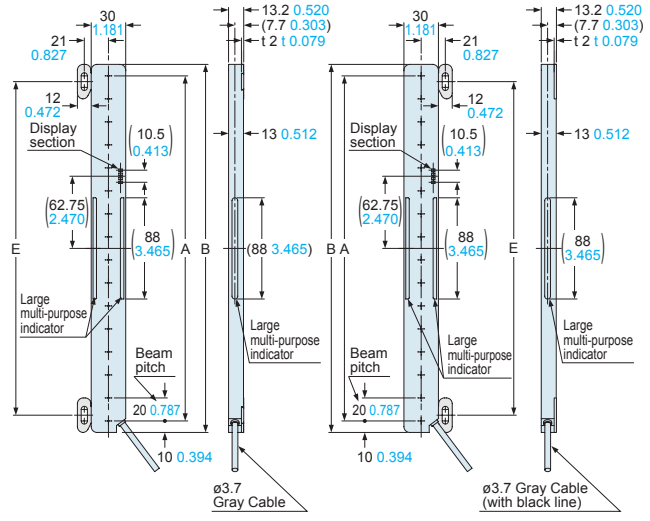
#### <Center mounting>



Emitter

Receiver

#### <Dead zoneless mounting>



Emitter

Receiver

Model No.	A	B	C	D	E
SF2C-H8□	140 5.512	160 6.299	172 6.772	184 7.244	130 5.118
SF2C-H12□	220 8.661	240 9.449	252 9.921	264 10.394	210 8.268
SF2C-H16□	300 11.811	320 12.598	332 13.071	344 13.543	290 11.417
SF2C-H20□	380 14.961	400 15.748	412 16.220	424 16.693	370 14.567
SF2C-H24□	460 18.110	480 18.898	492 19.370	504 19.842	450 17.717
SF2C-H28□	540 21.260	560 22.047	572 22.520	584 22.992	530 20.866
SF2C-H32□	620 24.409	640 25.197	652 25.669	664 26.142	610 24.016