



Chipsmall Limited consists of a professional team with an average of over 10 year of expertise in the distribution of electronic components. Based in Hongkong, we have already established firm and mutual-benefit business relationships with customers from,Europe,America and south Asia,supplying obsolete and hard-to-find components to meet their specific needs.

With the principle of “Quality Parts,Customers Priority,Honest Operation,and Considerate Service”,our business mainly focus on the distribution of electronic components. Line cards we deal with include Microchip,ALPS,ROHM,Xilinx,Pulse,ON,Everlight and Freescale. Main products comprise IC,Modules,Potentiometer,IC Socket,Relay,Connector.Our parts cover such applications as commercial,industrial, and automotives areas.

We are looking forward to setting up business relationship with you and hope to provide you with the best service and solution. Let us make a better world for our industry!



Contact us

Tel: +86-755-8981 8866 Fax: +86-755-8427 6832

Email & Skype: info@chipsmall.com Web: www.chipsmall.com

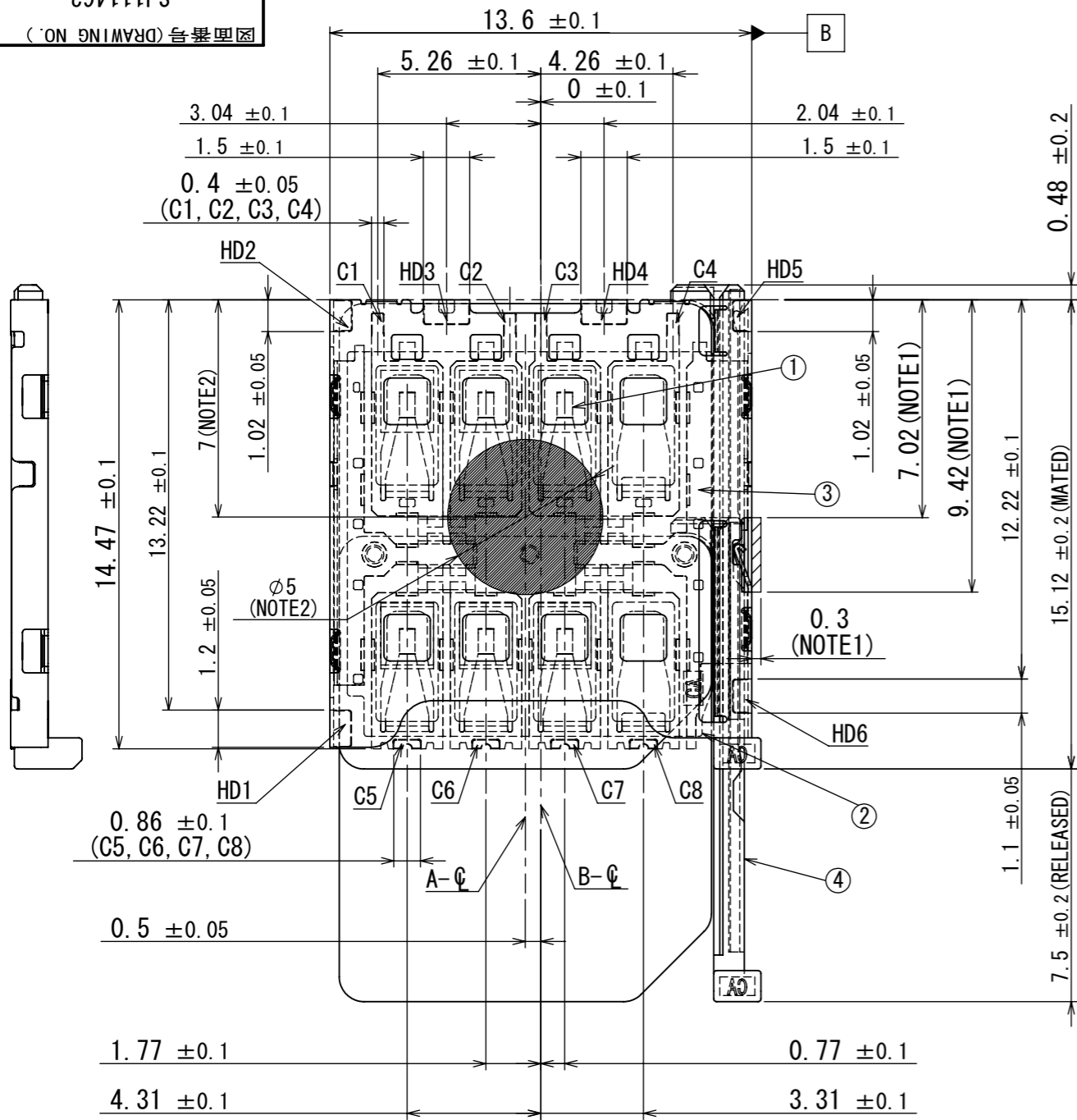
Address: A1208, Overseas Decoration Building, #122 Zhenhua RD., Futian, Shenzhen, China



SJ111463

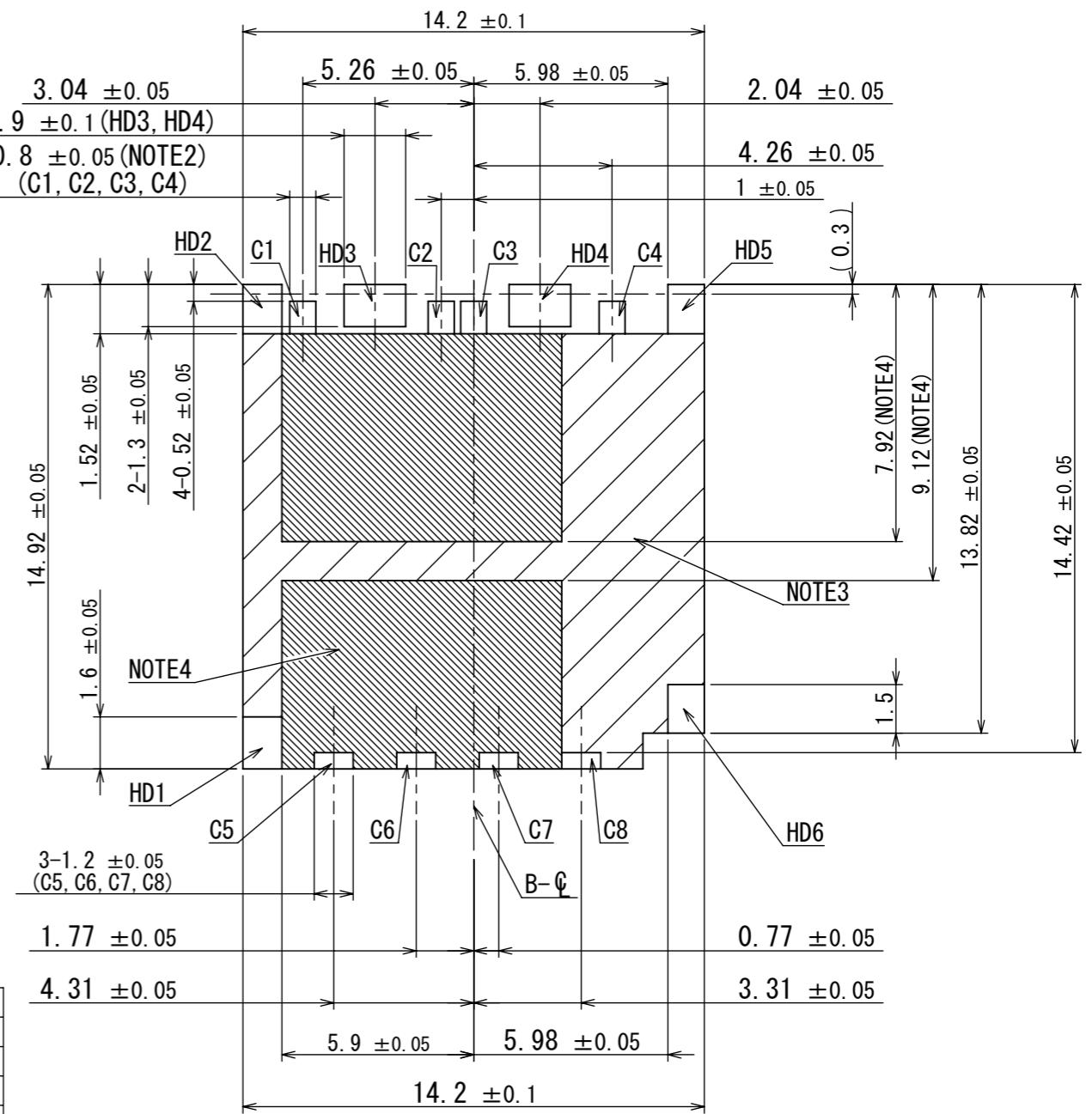
(ON DRAWING NO.)

版数 REV.	年月日 DATE	DCN NO.	変更内容 DESCRIPTION	製図 DR.	担当 CHK.	査閲 APPD.	承認 APPD.
---------	----------	---------	------------------	--------	---------	----------	----------



PIN ASSIGNMENT

C1	Vcc
C2	RST
C3	CLK
C4	RFU
C5	GND
C6	Vpp
C7	I/O
C8	RFU



NOTE1. THERE IS NO APPLY THE LOAD ON THIS AREA BY THE CASE.
 NOTE2. VACUUM AREA.
 NOTE3. ONLY GND PATTERN AND GND VIA HOLE IN ALLOWED IN IS AREA.
 NOTE4. NO PATTERN, VIA HOLE IN THIS AREA

注1. 本面に筐体と接触しないようにしてください。
 注2. 吸着エリア。
 注3. 底面部が金属につき、GNDパターン及びGNDビアのみ可とする。
 注4. コンタクト可動部につき、パターン及びビアを禁止する。

4	PULL LEVER	1	46Ny		
3	COVER FRAME (HOLD DOWN)	1	STAINLESS	TERMINAL AREA: Au OVER Ni	
2	HOUSING	1	LCP		
1	CONTACT	6	COPPER ALLOY	CONTACTING AREA: Au OVER Ni TERMINAL AREA: Au OVER Ni	

仕様書 (SPECIFICATION)	第1版 (ORIGINAL DATE)	尺度 (SCALE)	シリーズ (SERIES)	日本航空電子工業株式会社 JAE JAPAN AVIATION ELECTRONICS INDUSTRY, LTD. 図面番号 (DRAWING NO.) SJ111463	版数 (REV.) 1
JACS-10787* JAHL-10787*	2011/11/24	5 : 1	SF50		
一般公差 (GENERAL TOLERANCE)	製図 DR.	名称 (TITLE)			
寸法 (DIMENSION)	担当 CHK.	SF50S006V4C			
角度 (ANGLES)	査閲 APPD.	質量 (MASS)			
. ± 0.8	Y. SATOU				
. × ± 0.4	承認 APPD.				
. × × ± 0.1	A. NATORI				
. × × × ±					

DCF-C-2126 (11.08)

