



Chipsmall Limited consists of a professional team with an average of over 10 year of expertise in the distribution of electronic components. Based in Hongkong, we have already established firm and mutual-benefit business relationships with customers from,Europe,America and south Asia,supplying obsolete and hard-to-find components to meet their specific needs.

With the principle of “Quality Parts,Customers Priority,Honest Operation,and Considerate Service”,our business mainly focus on the distribution of electronic components. Line cards we deal with include Microchip,ALPS,ROHM,Xilinx,Pulse,ON,Everlight and Freescale. Main products comprise IC,Modules,Potentiometer,IC Socket,Relay,Connector.Our parts cover such applications as commercial,industrial, and automotives areas.

We are looking forward to setting up business relationship with you and hope to provide you with the best service and solution. Let us make a better world for our industry!



## Contact us

Tel: +86-755-8981 8866 Fax: +86-755-8427 6832

Email & Skype: info@chipsmall.com Web: www.chipsmall.com

Address: A1208, Overseas Decoration Building, #122 Zhenhua RD., Futian, Shenzhen, China



版数 VER.	年月日 DATE	図番 CN NO.	変更内容 DESCRIPTION	製図 DR.	担当 CHK.	査閲 APPD.	承認 APPD.
2	27/JUN/2017	021842	Correct the shape difference	-	K. MIKAWA	K. KUME	M. SHIMADA

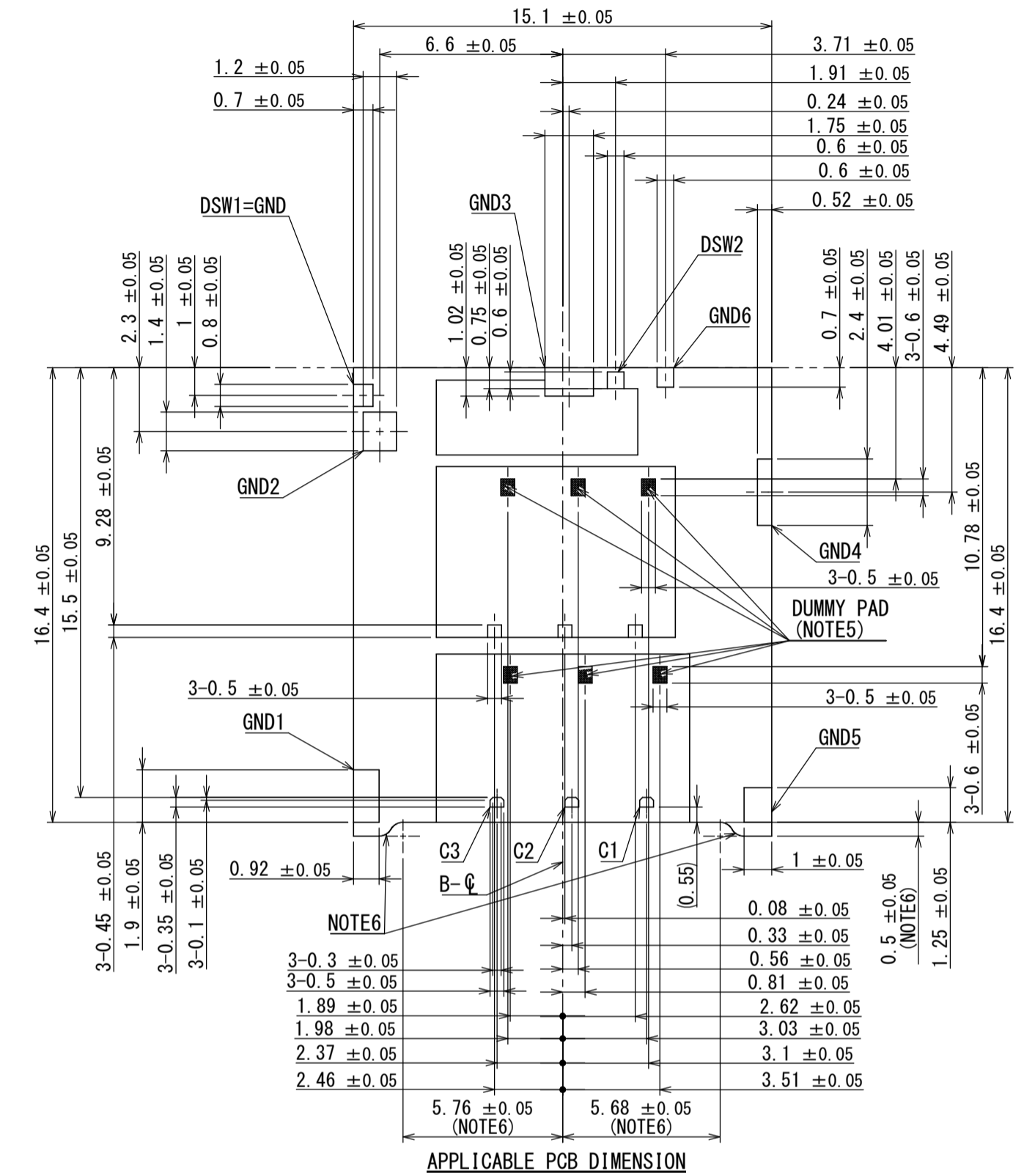
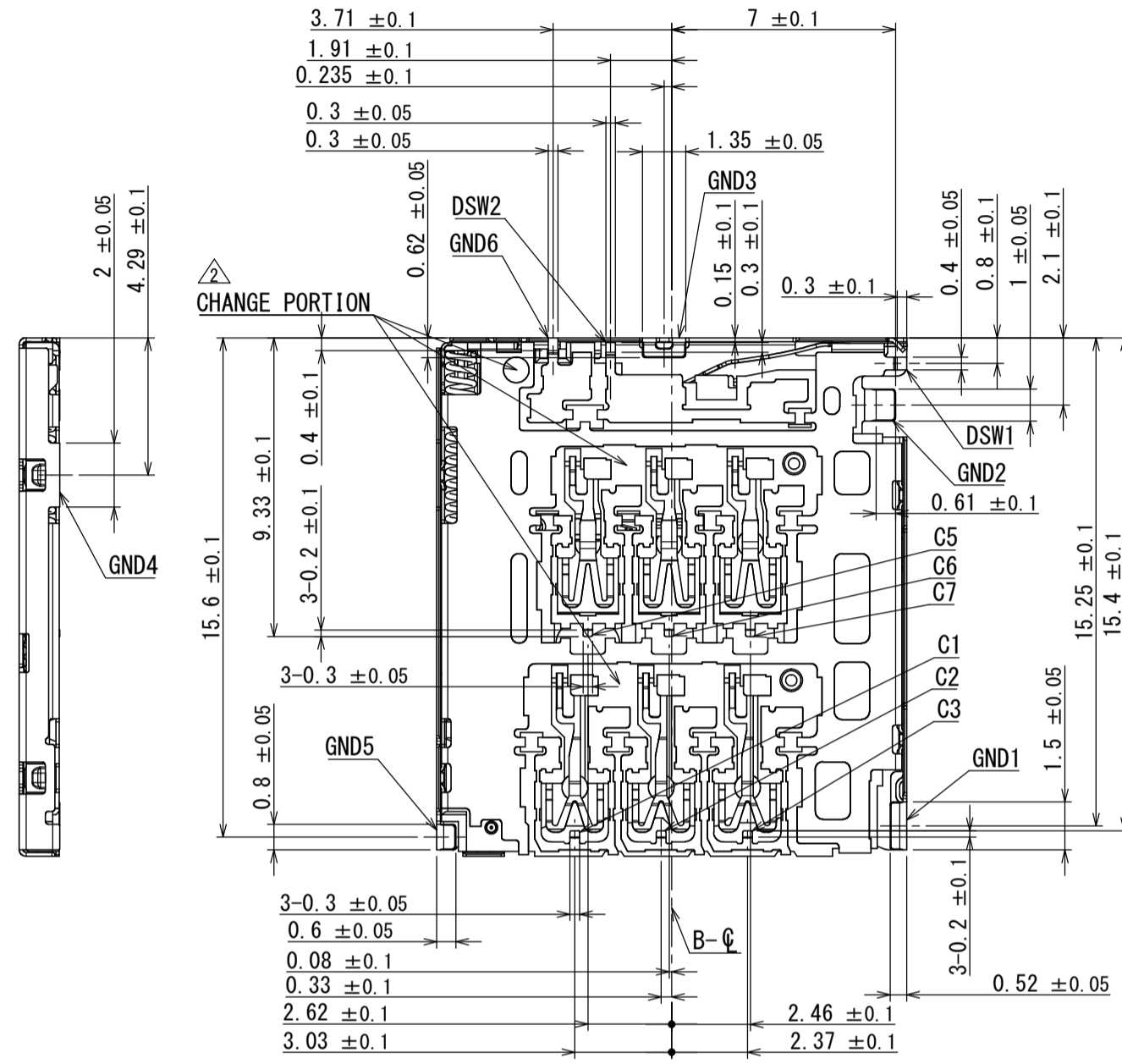
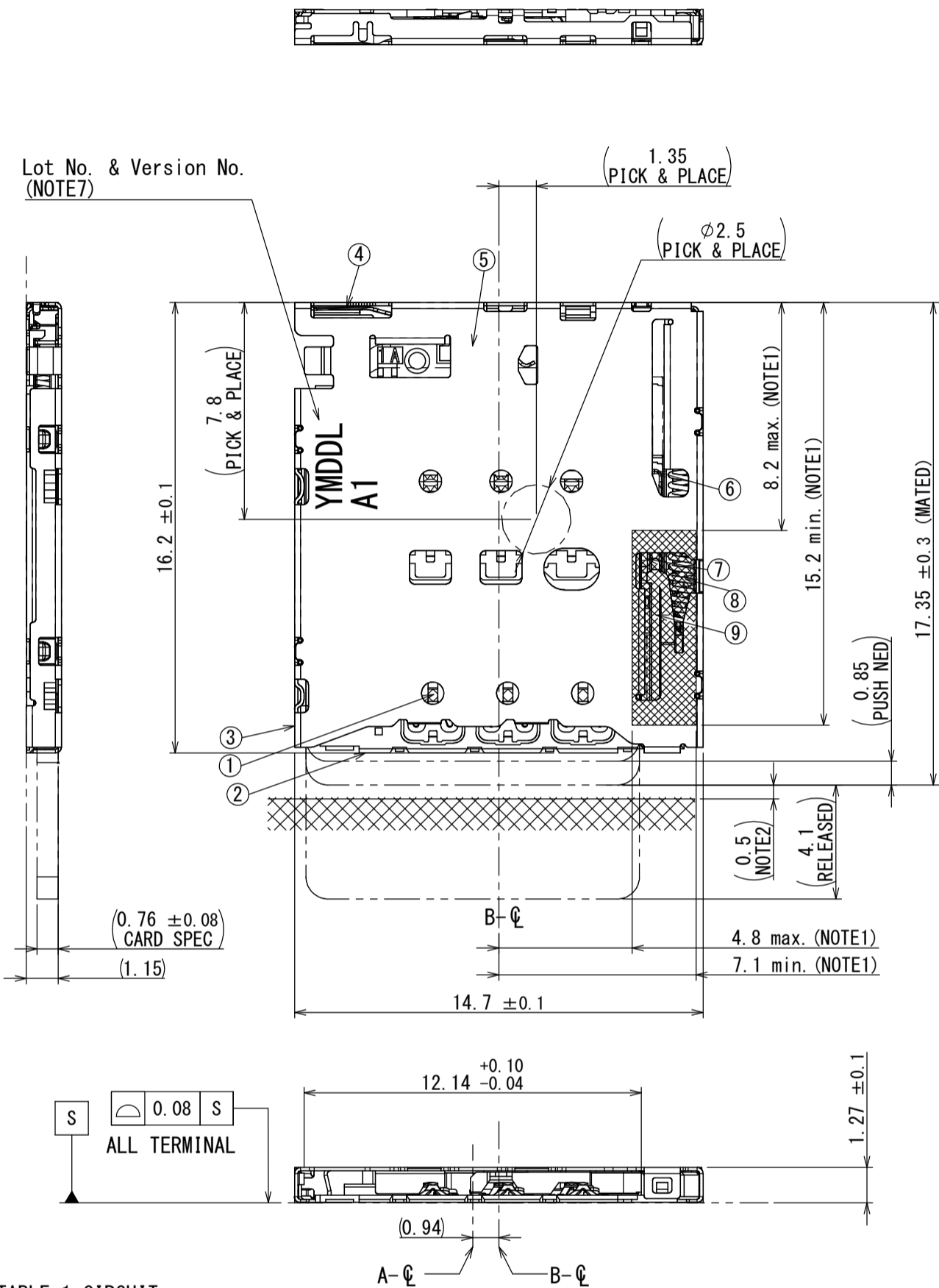


TABLE 1 CIRCUIT

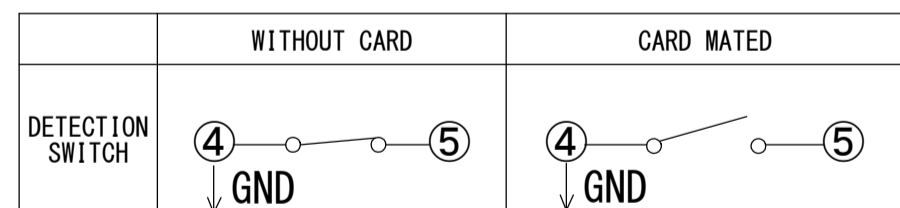
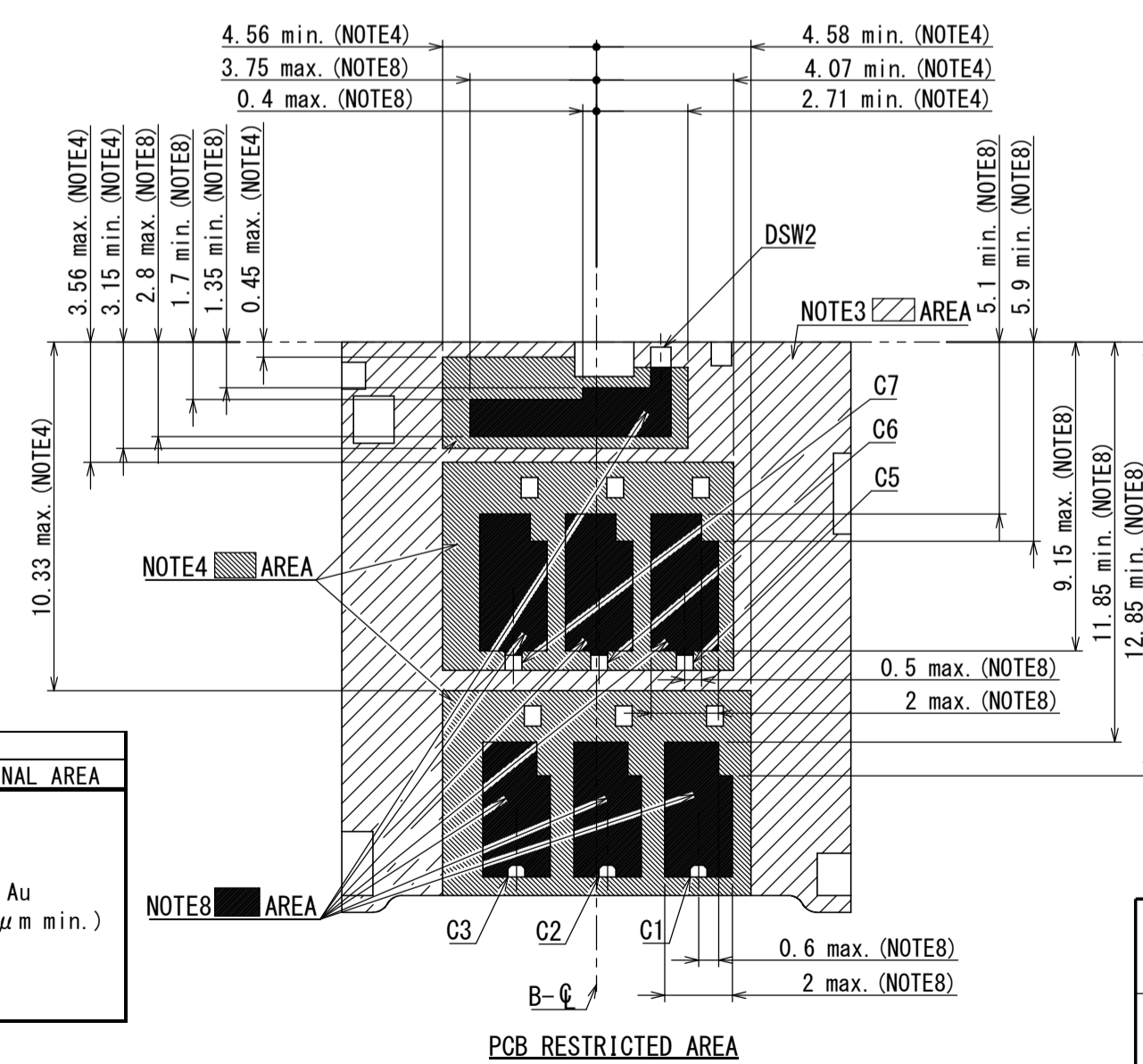


TABLE 2 PIN ASSIGNMENT

C1	Vcc
C2	RST
C3	CLK
C5	GND
C6	Vpp
C7	I/O

TABLE 3 FINISH

PART No.	PART NAME	BASE PLATING		TOP PLATING	
		CONTACT AREA	TERMINAL AREA	CONTACT AREA	TERMINAL AREA
①	CONTACT	Ni (2~6μm)	Ni (1~6μm)	Au (0.3μm min.)	Au (0.03μm min.)
③	COVER	-	Ni (0.5~6μm)	-	
④	GROUND FRAME (DSW1)	Ni (1~6μm)		Au (0.1μm min.)	
⑤	DETECTION SWITCH (DSW2)	-		-	



NOTE1. OTHER COMPONENTS CANNOT TOUCH OR REST ON TOP OF THIS AREA.  
 NOTE2. CARD STOPPER POSITION.  
 NOTE3. ONLY GND PATTERN AND GND VIA HOLE IS ALLOWED IN THIS AREA.  
 NOTE4. NO PATTERN AND VIA HOLE IN THIS AREA.  
 NOTE5. DUMMY PAD SHOULD BE ELECTRICALLY ISOLATED.  
 (No connection to GND on something else)  
 SHOULD NOT SOLDER ON THIS PAD.  
 (No solder on this PAD)  
 NOTE6. PCB CUTOFF AREA.  
 NOTE7. LOT INFORMATION IS SHOWN AS BELOW.  
 i.e. 7 6 2 7 1 A 1

NOTE8. ONLY SAME LINE PATTERN AND VIA HOLE AS INCLUDED PAD ALLOWED IN THIS AREA.

符号 No.	名称 DESCRIPTION	個数 QTY.	材料 MATERIAL	仕上 FINISH	備考 REMARKS
9	CAM FOLLOWER	1	STAINLESS STEEL		
8	SPRING	1	STAINLESS STEEL		
7	EJECT BAR	1	GLASS FILLED Ny		
6	EJECT PLATE	1	STAINLESS STEEL		
5	DETECTION SWITCH (DSW2)	1	COPPER ALLOY	Au OVER Ni (TABLE 3)	
4	GROUND FRAME (DSW1)	1	COPPER ALLOY	Au OVER Ni (TABLE 3)	
3	COVER	1	STAINLESS STEEL	Au OVER Ni (TABLE 3)	
2	HOUSING	1	GLASS FILLED LCP		
1	CONTACT	6	COPPER ALLOY	AU OVER Ni (TABLE 3)	

仕様書 (SPECIFICATION) JACS-11101	第1版 (ORIGINAL DATE) 25/SEP/2015	尺度 (SCALE) 5:1	シリーズ (SERIES) SF56	日本航空電子工業株式会社 JAE-CONNECTOR.COM
一般公差 (GENERAL TOLERANCE) 寸法 (DIMENSION): ±0.8 × ±0.4 ×× ±0.1 ××× ±	角度 (ANGLES): ×° ± ××° ± ×××° ±	製造 DR. 担当 CHK. 査閲 APPD. 承認 APPD.	K. MIKAWA -	名称 (TITLE) SF56K006VBA
単位 (UNIT): mm	質量 (MASS)	図面番号 (DRAWING NO.) SJ116250		版数 (VER.) 2