



Chipsmall Limited consists of a professional team with an average of over 10 year of expertise in the distribution of electronic components. Based in Hongkong, we have already established firm and mutual-benefit business relationships with customers from,Europe,America and south Asia,supplying obsolete and hard-to-find components to meet their specific needs.

With the principle of “Quality Parts,Customers Priority,Honest Operation,and Considerate Service”,our business mainly focus on the distribution of electronic components. Line cards we deal with include Microchip,ALPS,ROHM,Xilinx,Pulse,ON,Everlight and Freescale. Main products comprise IC,Modules,Potentiometer,IC Socket,Relay,Connector.Our parts cover such applications as commercial,industrial, and automotives areas.

We are looking forward to setting up business relationship with you and hope to provide you with the best service and solution. Let us make a better world for our industry!



Contact us

Tel: +86-755-8981 8866 Fax: +86-755-8427 6832

Email & Skype: info@chipsmall.com Web: www.chipsmall.com

Address: A1208, Overseas Decoration Building, #122 Zhenhua RD., Futian, Shenzhen, China



版数 VER.	年月日 DATE	CN NO.	変更内容 DESCRIPTION	製図 DR.	担当 CHK.	査閲 APPD.	承認 APPD.
---------	----------	--------	------------------	--------	---------	----------	----------

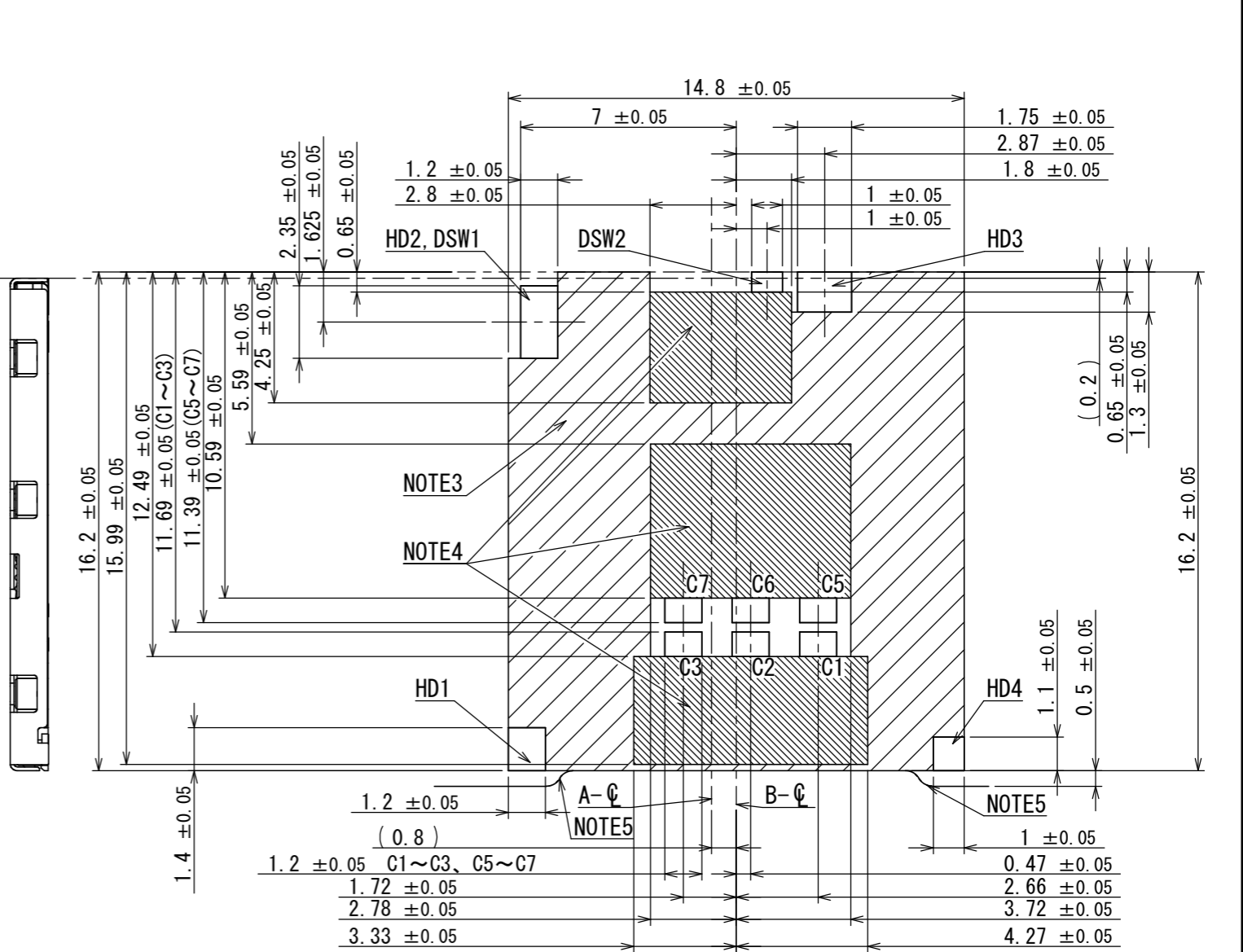
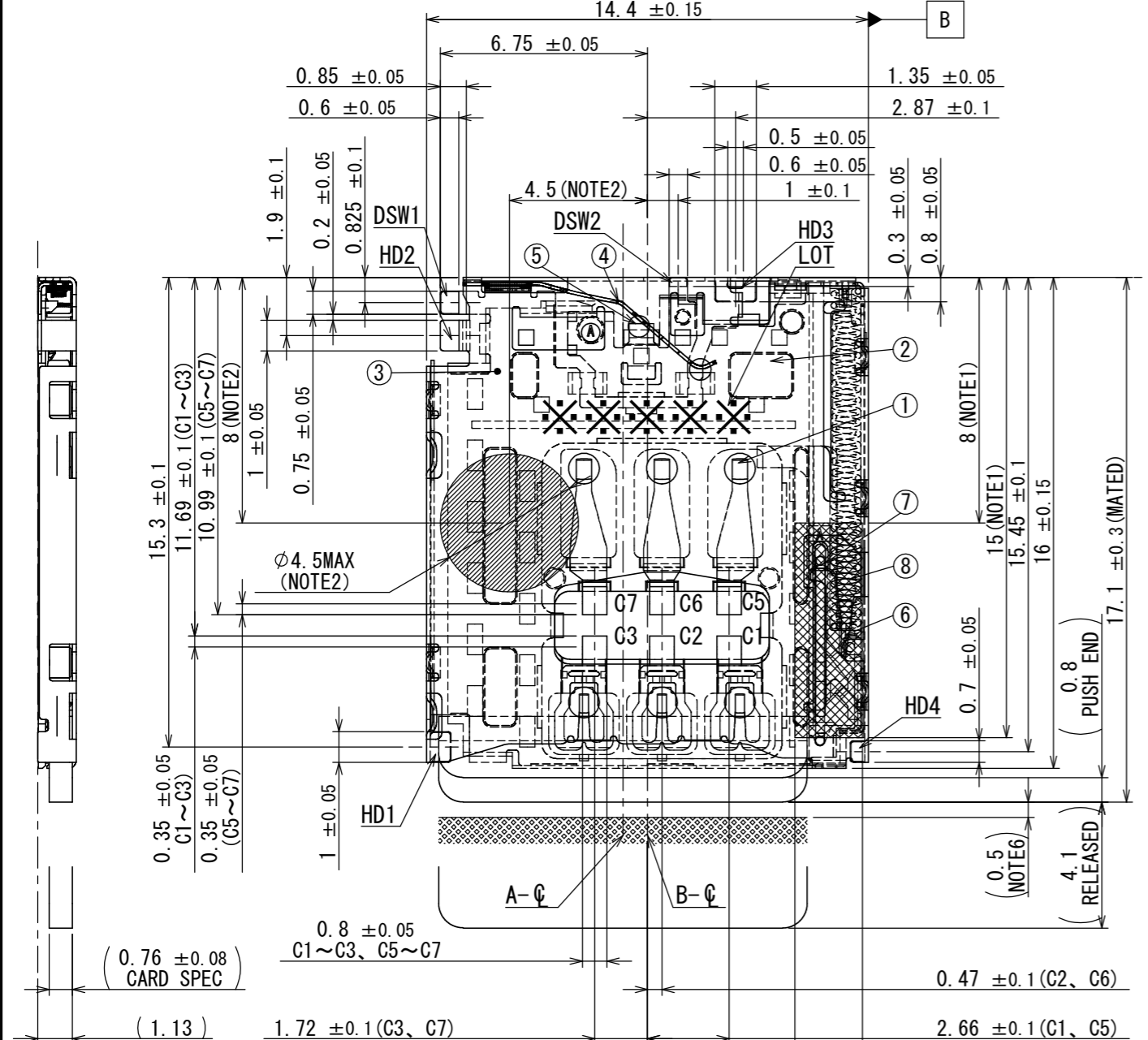
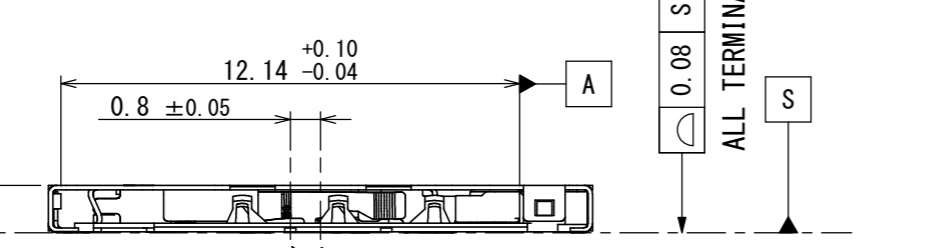


TABLE 2 PIN ASSIGNMENT

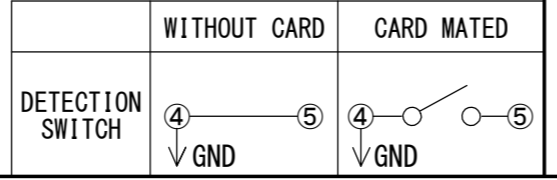
C1	Vcc
C2	RST
C3	CLK
C5	GND
C6	Vpp
C7	I/O



NOTE1. THERE IS NO APPLY THE LOAD ON THIS AREA BY THE CASE.
 NOTE2. VACUUM AREA.
 NOTE3. ONLY GND PATTERN AND GND VIA HOLE IN ALLOWED IN THIS AREA.
 NOTE4. NO PATTERN, VIA HOLE IN THIS AREA.
 NOTE5. PWB CUTOUT AREA.
 NOTE6. CARD STOPPER POSITION

注1. 本面に筐体と接触しないようにしてください。
 注2. 吸着エリア。
 注3. 底面部が金属(GND)につき、GNDパターン及びGNDビアのみ可とする。
 注4. コンタクト可動部につき、パターン及びビアを禁止する。
 注5. 基板切り欠きエリア
 注6. カード押さえ位置

TABLE 1 CIRCUIT



符号 NO.	名称 DESCRIPTION	個数 QTY.	材料 MATERIAL	仕上 FINISH	備考 REMARKS
8	SPRING	1	STAINLESS		
7	CAM FOLLOEW	1	STAINLESS		
6	EJECT LEVER	1	GLASS FILLED PA46		
5	DETECTION SWITCH2	1	COPPER ALLOY		CONTACT AREA:Au OVER Ni TERMINAL AREA :Au OVER Ni
4	DETECTION SWITCH1	1	COPPER ALLOY		CONTACT AREA:Au OVER Ni TERMINAL AREA :Au OVER Ni
3	COVER FRAME	1	STAINLESS		TERMINAL AREA:Au OVER Ni
2	HOUSING	1	LCP		
1	CONTACT	1	COPPER ALLOY		CONTACT AREA:Au OVER Ni TERMINAL AREA :Au OVER Ni

仕様書 (SPECIFICATION) JACS-10928* JAHL-10928* 第1版 (ORIGINAL DATE) 06/JAN/2014 尺度 (SCALE) 5 : 1 シリーズ (SERIES) SF56

製図 DR. 担当 CHK. K. KUME 査閲 APPD. A. MATSUNAGA 承認 APPD. A. NATORI 名称 (TITLE) SF56S006V4B

質量 (MASS)	日本航空電子工業株式会社 JAE JAPAN AVIATION ELECTRONICS INDUSTRY, LTD.	図面番号 (DRAWING NO.) SJ114885	版数 (VER.) 1
-----------	--	--------------------------------	----------------