



Chipsmall Limited consists of a professional team with an average of over 10 year of expertise in the distribution of electronic components. Based in Hongkong, we have already established firm and mutual-benefit business relationships with customers from,Europe,America and south Asia,supplying obsolete and hard-to-find components to meet their specific needs.

With the principle of “Quality Parts,Customers Priority,Honest Operation,and Considerate Service”,our business mainly focus on the distribution of electronic components. Line cards we deal with include Microchip,ALPS,ROHM,Xilinx,Pulse,ON,Everlight and Freescale. Main products comprise IC,Modules,Potentiometer,IC Socket,Relay,Connector.Our parts cover such applications as commercial,industrial, and automotives areas.

We are looking forward to setting up business relationship with you and hope to provide you with the best service and solution. Let us make a better world for our industry!



## Contact us

Tel: +86-755-8981 8866 Fax: +86-755-8427 6832

Email & Skype: info@chipsmall.com Web: www.chipsmall.com

Address: A1208, Overseas Decoration Building, #122 Zhenhua RD., Futian, Shenzhen, China



## INTRODUCING THE SHIELDED MINI-CON-X<sup>®</sup> CONNECTOR

### Features and Benefits

- Complete replacement for MINI-CON-X<sup>®</sup>
- Panels are factory assembled and sealed
- Scoop-proof connector design
- Anti-slip machined nut standard on panel connectors
- Precision machined housings
- Two shell sizes & multiple keying arrangements

### Product Specifications

#### Materials

##### **Panel Shell, Cable Housing & Coupling Nuts:**

Nickel plated copper alloy

##### **All Connector Inserts:** Engineered Polyester Resin

**Contacts:** Gold plated copper alloy with nickel underplate

**Backshell & Strap:** G.F. Nylon

**O-Rings:** Neoprene

**Screws:** Stainless Steel

#### Mechanical

**Shock:** Method 213, Mil-Std 202

**Vibration:** Method 201, Mil-Std 202

**Life:** 400 insertion/withdrawl cycles

#### Electrical

**Voltage Rating:** Tested at 600 VRMS

**Insulation Resistance:** Method 302, Mil-Std 202

**Contact Resistance:** Method 307, Mil-Std 202

##### **Current Ratings:**

13A: 4 maximum #16 contact with 16 AWG

7.5A: 3 maximum #20 contacts with 20 AWG

5.6A: 12 maximum #20 contacts with 20 AWG

#### Environmental

**Temperature Rating:** -40°C (-40°F) to +120°C (+248°F)

**Temperature Rise:** UL 1054

**Thermal Shock:** Method 107, Mil-Std 202

**Moisture/Salt Spray:** Method 106F / 101 Mil-Std 202

#### Product Ratings

IP66 / IP68 (when mated)

RoHS Compliant



Mated Cable End  
and Panel Mount



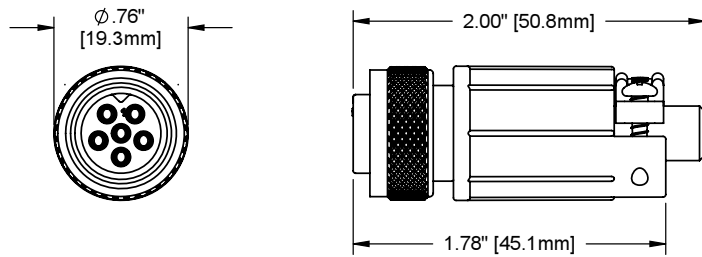
Cable End



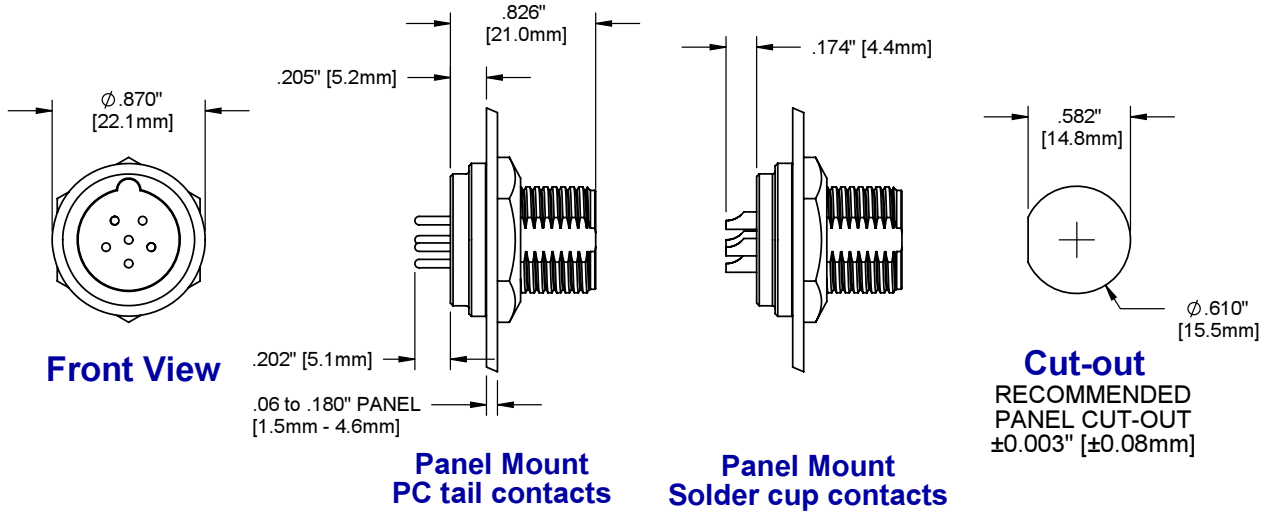
Epoxy Sealed  
Panel Mount

# Shielded MINI-CON-X<sup>®</sup> Connector

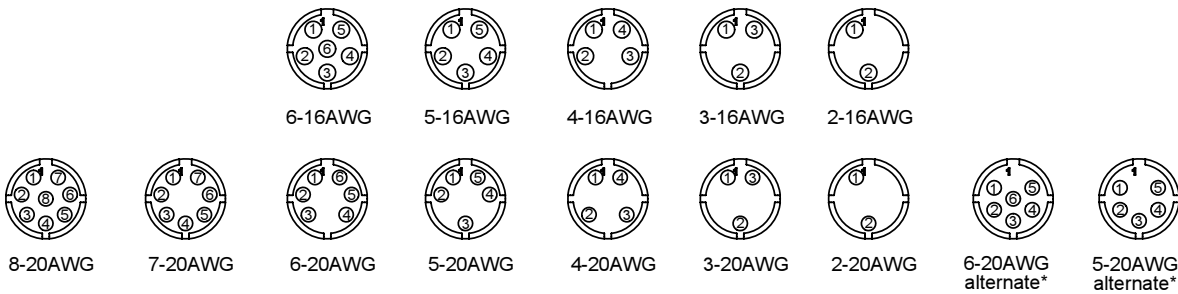
## Cable End



## Panel Mount



## Contact Arrangements (Wiring View of Cable End)



\* Consult Factory

## Code Logic

