



Chipsmall Limited consists of a professional team with an average of over 10 year of expertise in the distribution of electronic components. Based in Hongkong, we have already established firm and mutual-benefit business relationships with customers from,Europe,America and south Asia,supplying obsolete and hard-to-find components to meet their specific needs.

With the principle of “Quality Parts,Customers Priority,Honest Operation,and Considerate Service”,our business mainly focus on the distribution of electronic components. Line cards we deal with include Microchip,ALPS,ROHM,Xilinx,Pulse,ON,Everlight and Freescale. Main products comprise IC,Modules,Potentiometer,IC Socket,Relay,Connector.Our parts cover such applications as commercial,industrial, and automotives areas.

We are looking forward to setting up business relationship with you and hope to provide you with the best service and solution. Let us make a better world for our industry!



Contact us

Tel: +86-755-8981 8866 Fax: +86-755-8427 6832

Email & Skype: info@chipsmall.com Web: www.chipsmall.com

Address: A1208, Overseas Decoration Building, #122 Zhenhua RD., Futian, Shenzhen, China



NOTES:

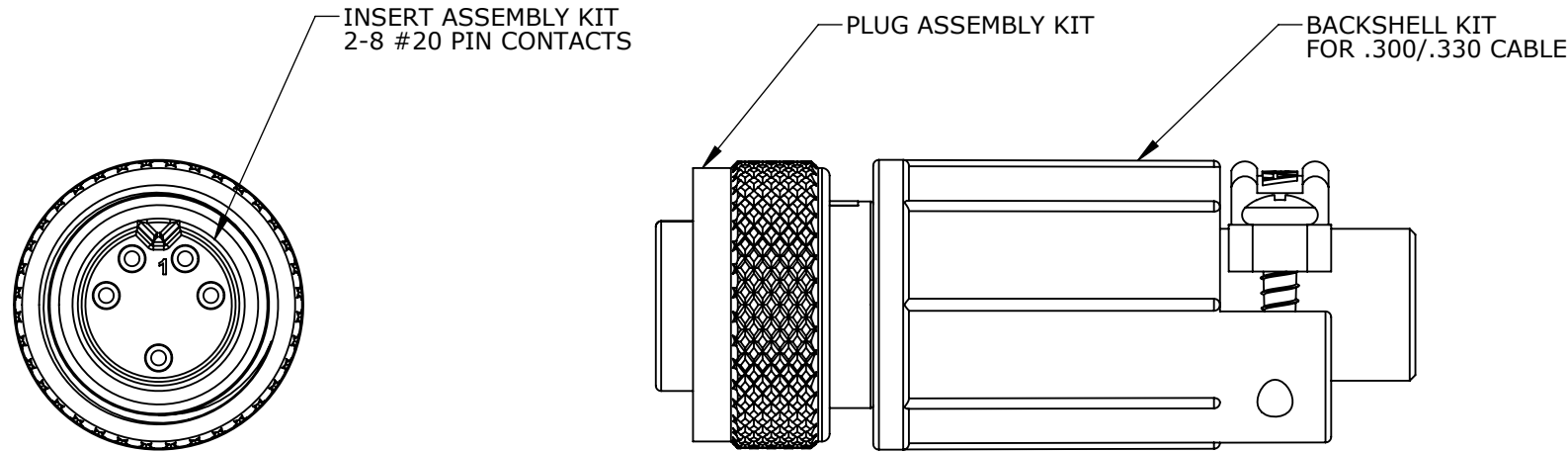
1. ALL PARTS ARE TO BE PLACED IN 5 IN. X 7 IN. POLY BAG WITH INSTRUCTION SHEET.
2. LABEL TO BE MARKED WITH PART NUMBER AND DATE CODE.

CABLE END WITH PIN CONTACTS PART NUMBERS:

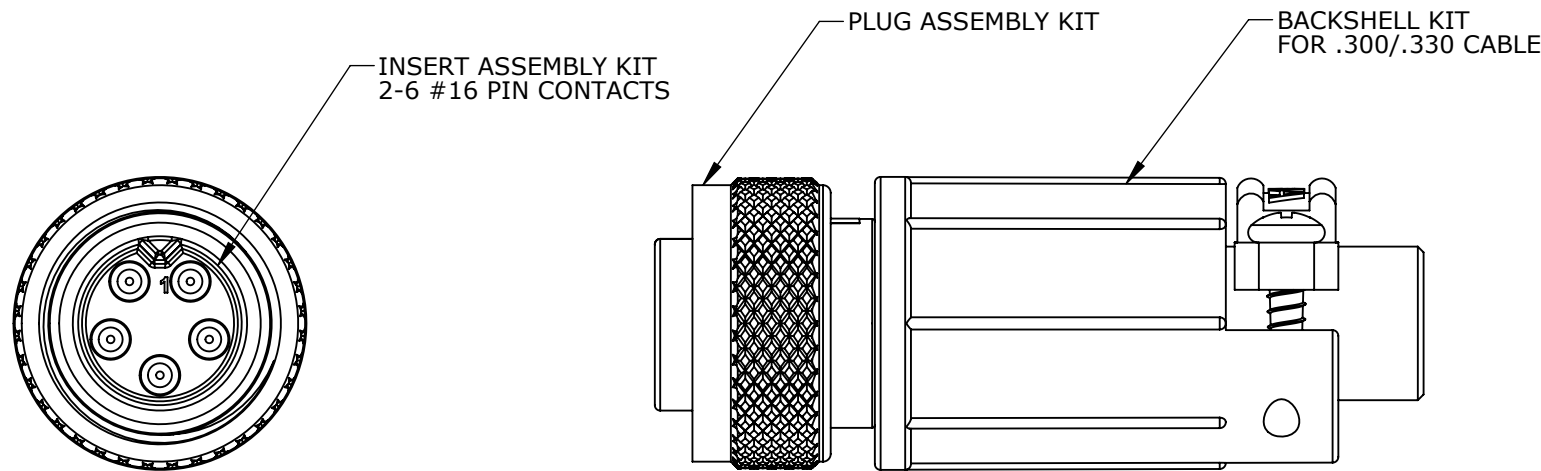
S F 6 X 8 2 - X P G - 5 3 0

CONTACT SIZE
2- #20 PINS
3- #16 PINS

OF CONTACTS
2-8 FOR #20 PINS
2-6 FOR #16 PINS



CABLE END SF6282-5PG-530, (5) #20 PINS SHOWN



CABLE END SF6382-5PG-530, (5) #16 PINS SHOWN

CUSTOMER APPROVAL

THIS DOCUMENT CONTAINS CONFIDENTIAL INFORMATION PROPRIETARY TO CONXALL CORPORATION. ANY REPRODUCTION, DISCLOSURE, OR USE OF THIS DOCUMENT /INFORMATION IS EXPRESSLY PROHIBITED UNLESS AUTHORIZED IN WRITING BY CONXALL CORPORATION.

APPROVED BY: _____

DATE: _____

RoHS COMPLIANT

A	AN	12-13-11	DRAWING CREATED PER DOR 11-E149SL	
REV.	INIT.	DATE	DESCRIPTION	
	AN	12-12-11	ORIG. DRAWN BY: AN DATE: 12-12-11	
ALL INFORMATION ILLUSTRATED IS THE PROPERTY OF "CONXALL CORPORATION." UNAUTHORIZED DUPLICATION OR DISTRIBUTION OF THIS DOCUMENT IS PROHIBITED.			<p>601 E. WILDWOOD VILLA PARK, IL 60181</p>	
ALL UNITS ARE IN FEET, INCHES, FRACTION OF INCHES AND DECIMALS.				
APPROVED BY:			TITLE: CABLE END ASSEMBLY #16 & #20 PIN CONTACTS, FOR .330 CABLE SHIELDED MINI-CON-X STANDARD PRODUCT	
SCALE	SIZE	SHEET	CUSTOMER: SF6X82-XPG-530	
NTS	B	1 OF 1	PART NUMBER: SF6X82-XPG-530	
FILE:	DIRECTORY:	REV	A	
SF6X82-XPG-530	SLW			

CUSTOMER PRINT

PART NUMBER: SF6X82-XPG-530