



Chipsmall Limited consists of a professional team with an average of over 10 year of expertise in the distribution of electronic components. Based in Hongkong, we have already established firm and mutual-benefit business relationships with customers from,Europe,America and south Asia,supplying obsolete and hard-to-find components to meet their specific needs.

With the principle of “Quality Parts,Customers Priority,Honest Operation,and Considerate Service”,our business mainly focus on the distribution of electronic components. Line cards we deal with include Microchip,ALPS,ROHM,Xilinx,Pulse,ON,Everlight and Freescale. Main products comprise IC,Modules,Potentiometer,IC Socket,Relay,Connector.Our parts cover such applications as commercial,industrial, and automotives areas.

We are looking forward to setting up business relationship with you and hope to provide you with the best service and solution. Let us make a better world for our industry!



Contact us

Tel: +86-755-8981 8866 Fax: +86-755-8427 6832

Email & Skype: info@chipsmall.com Web: www.chipsmall.com

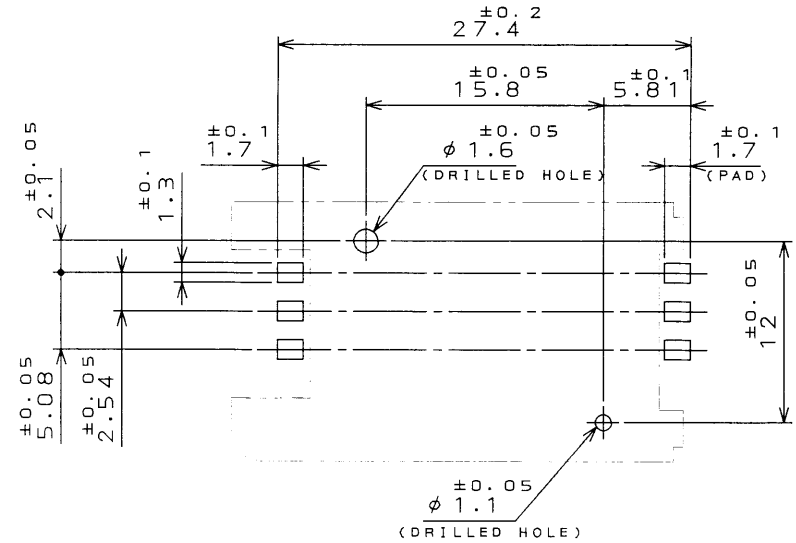
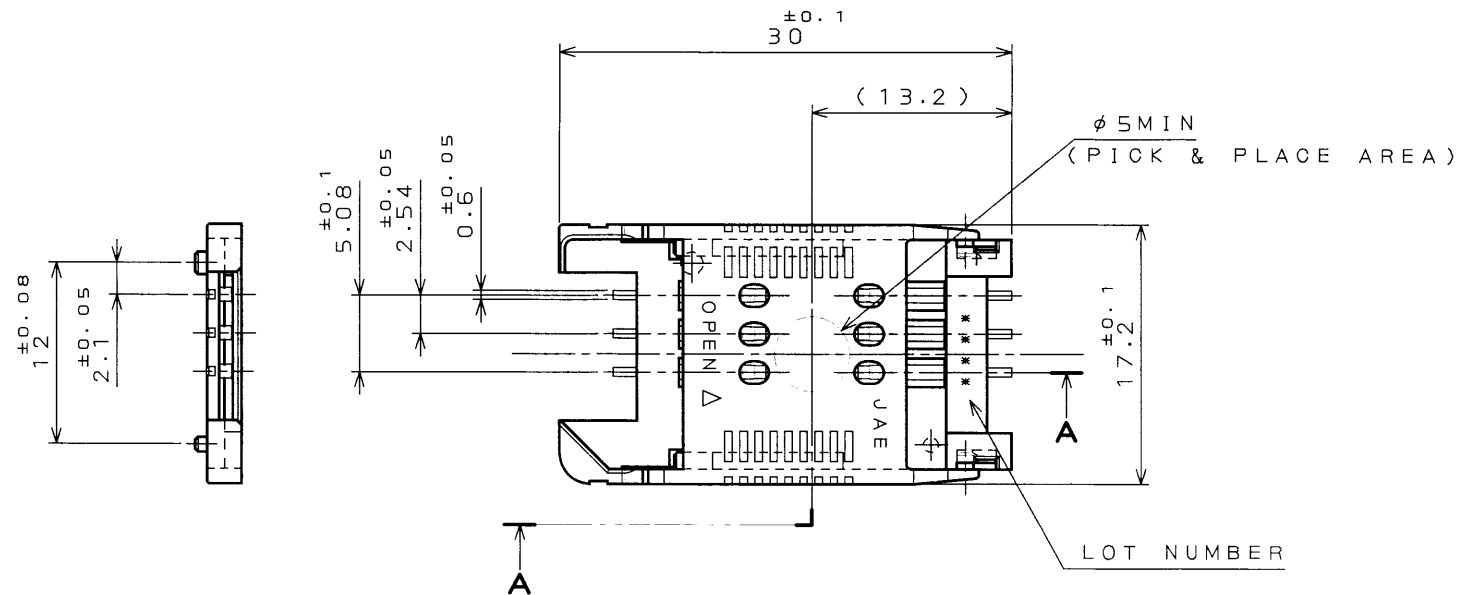
Address: A1208, Overseas Decoration Building, #122 Zhenhua RD., Futian, Shenzhen, China



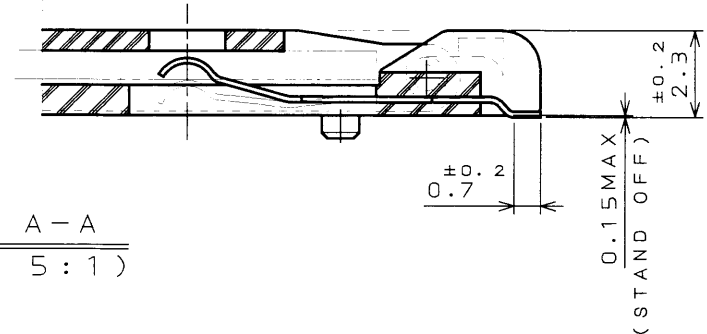
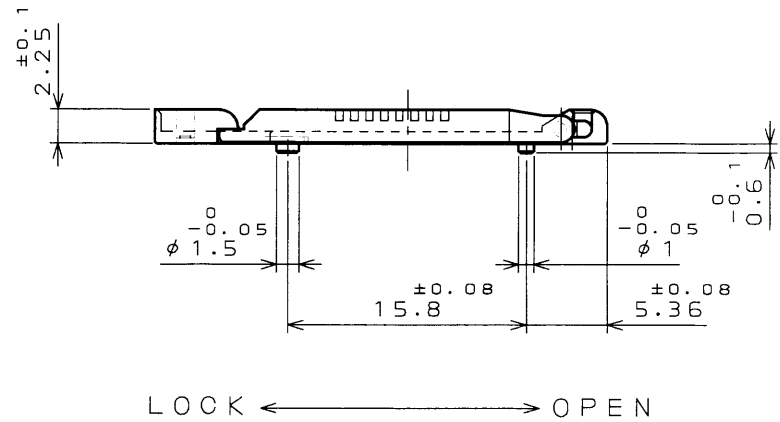
SJ035774

(図面番号) (DRAWING NO.)

版数 REV.	年月日 DATE	図面 NO.	変更内容 DESCRIPTION	製図 DR.	担当 CHK.	査閲 APPD.	承認 APPD.



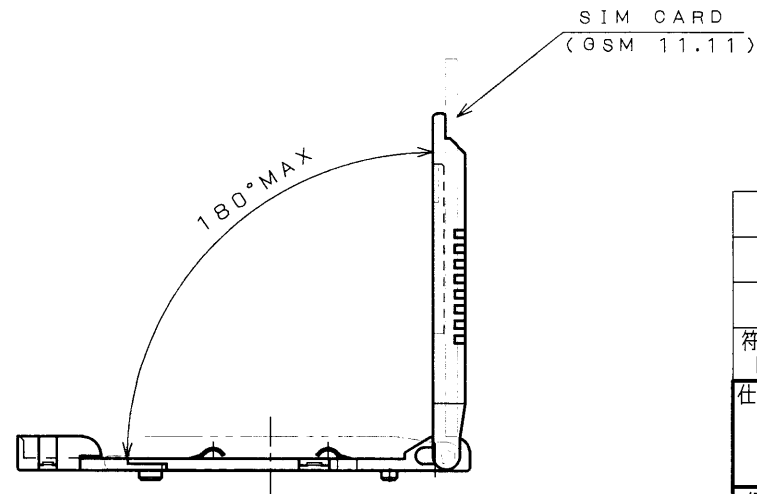
APPLICABLE P.C.B. DIMENSION (REF.)
適合基板寸法 (参考)



SECT. A-A
(SCALE 5:1)

NOTE COPLANARITY 0.1MAX

注 端子コプラナリティは 0.1以下とする。



3	COVER	1	GLASS FILLED LCP	UL94 V-0 COLOR: BLACK
2	HOUSING	1	GLASS FILLED LCP	
1	CONTACT	6	COPPER ALLOY	CONTACT AREA: GOLD OVER NICKEL TERMINATION AREA: GOLD FLUSH OVER NICKEL
符号 NO.	名 DESCRIPTION	個数 QTY.	材 料 MATERIAL	備 考 REMARKS
仕様書 (SPECIFICATION) JACS-1661		第1版 (ORIGINAL DATE) 1.Mar.2001		製図 DR.
公差 (GENERAL TOLERANCE)		製図 DR.		製図 DR.
寸法 (DIMENSION)		担当 CHK.		名称 (TITLE) SF7W006S1A
角度 (ANGLES)		査閲 APPD.		重量 (WEIGHT)
. ±0.8	×° ±	承認 APPD.		
.X ±0.4	×° ±	承認 APPD.		
.XX ±0.1		承認 APPD.		製図 DR.
.XXX ±		承認 APPD.		製図 DR.

製図
DR.
A.NATORI

製図
DR.
K. Sasaki

製図
DR.
A.NATORI

製図
DR.
A.NATORI

製図
DR.
A.NATORI

製図
DR.
A.NATORI

製図
DR.
A.NATORI

製図
DR.
A.NATORI

製図
DR.
A.NATORI

製図
DR.
A.NATORI

DOF-0-212D(98.02)

0 10 20 30 40 50 60 70 80 90 100