



Chipsmall Limited consists of a professional team with an average of over 10 year of expertise in the distribution of electronic components. Based in Hongkong, we have already established firm and mutual-benefit business relationships with customers from,Europe,America and south Asia,supplying obsolete and hard-to-find components to meet their specific needs.

With the principle of “Quality Parts,Customers Priority,Honest Operation,and Considerate Service”,our business mainly focus on the distribution of electronic components. Line cards we deal with include Microchip,ALPS,ROHM,Xilinx,Pulse,ON,Everlight and Freescale. Main products comprise IC,Modules,Potentiometer,IC Socket,Relay,Connector.Our parts cover such applications as commercial,industrial, and automotives areas.

We are looking forward to setting up business relationship with you and hope to provide you with the best service and solution. Let us make a better world for our industry!



Contact us

Tel: +86-755-8981 8866 Fax: +86-755-8427 6832

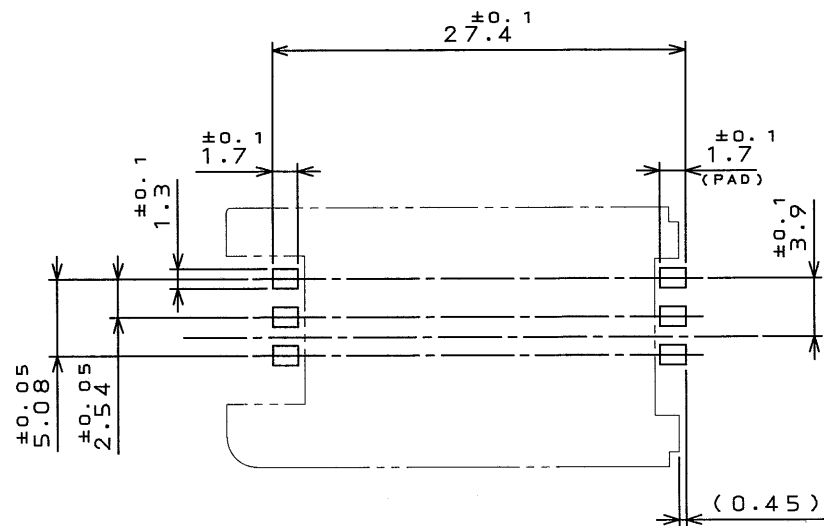
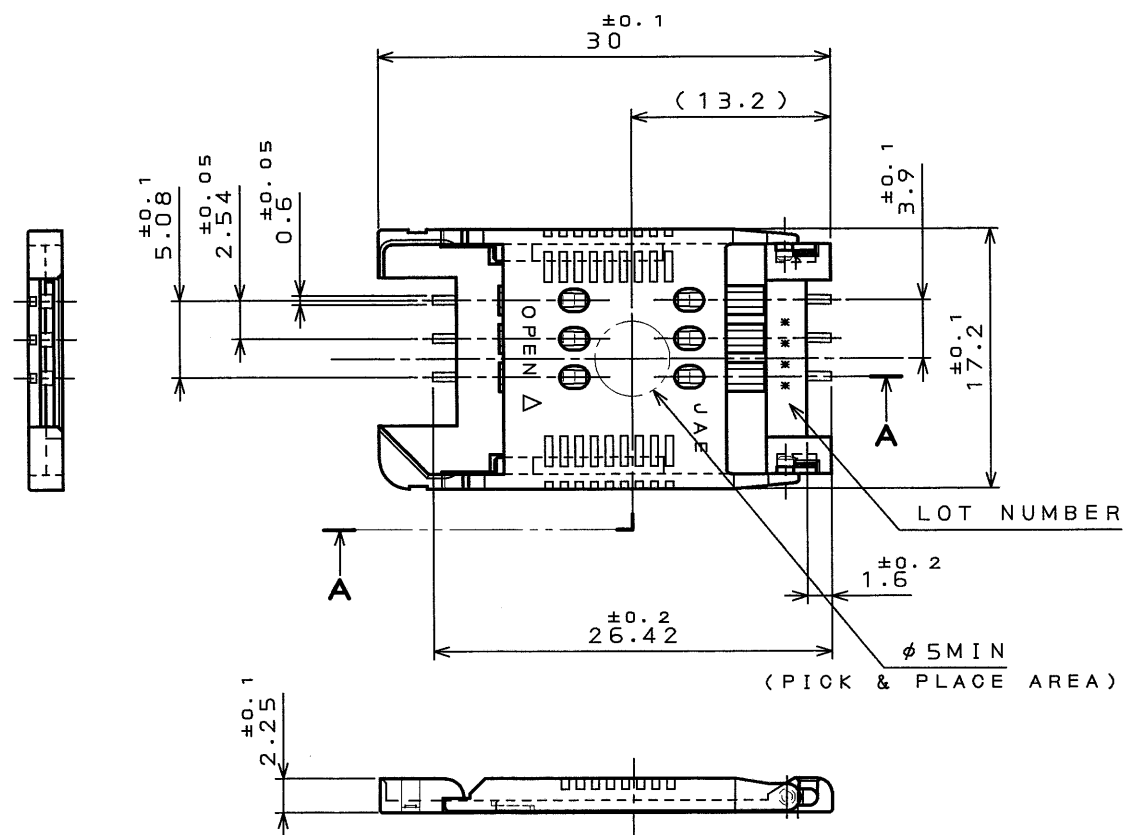
Email & Skype: info@chipsmall.com Web: www.chipsmall.com

Address: A1208, Overseas Decoration Building, #122 Zhenhua RD., Futian, Shenzhen, China

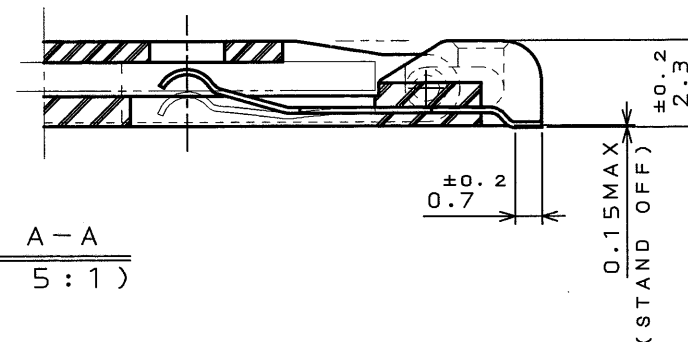


SJ036050
(図面番号) (DRAWING NO.)

版数 REV.	年月日 DATE	DCN NO.	変更内容 DESCRIPTION	製図 DR.	担当 CHK.	査閲 APPD.	承認 APPD.

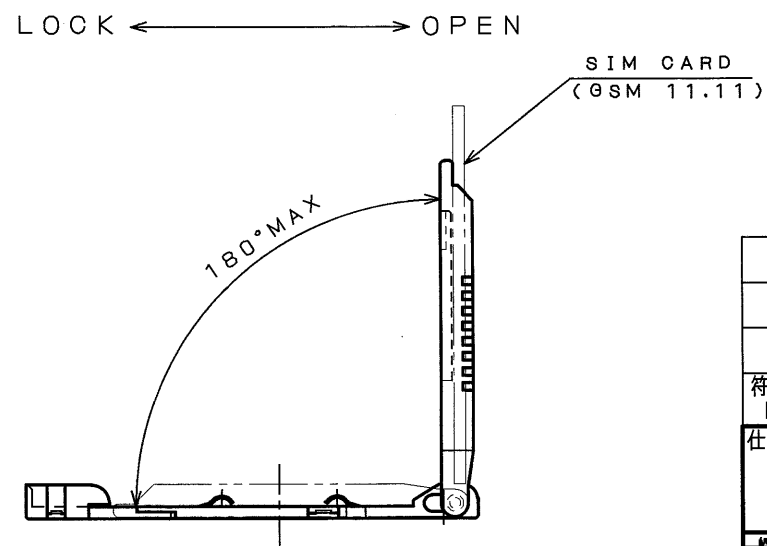


APPLICABLE P.C.B. DIMENSION (REF.)
適合基板寸法 (参考)



SECT. A-A
(SCALE 5:1)

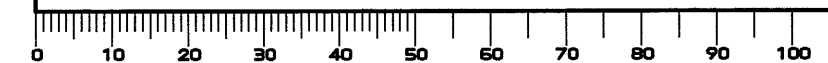
NOTE COPLANARITY 0.1MAX
注 端子コ-planarityは 0.1以下とする。



符号 NO.	名称 DESCRIPTION	個数 QTY.	材料 MATERIAL	仕上 FINISH	備考 REMARKS
3	COVER	1	GLASS FILLED LCP		UL94 V-0 COLOR: BLACK
2	HOUSING	1	GLASS FILLED LCP		
1	CONTACT	6	COPPER ALLOY	CONTACT AREA: GOLD OVER NICKEL TERMINATION AREA: GOLD FLUSH OVER NICKEL	

仕様書 (SPECIFICATION)		第1版 (ORIGINAL DATE)		尺 (SCALE)	
JACS-1661		21.May.2001		2:1	
公差 (GENERAL TOLERANCE)		製図 (DRAWING)		名称 (TITLE)	
寸法 (DIMENSION)	角度 (ANGLES)	製図 (DRAWING)	製図 (DRAWING)	SF7W006S1B	
. ±0.8	° ±	担当 (CHK.)	担当 (CHK.)	重量 (WEIGHT)	
.X ±0.4	°X ±	査閲 (APPD.)	査閲 (APPD.)	⊕	
.XX ±0.1		承認 (APPD.)	承認 (APPD.)	図面番号 (DRAWING NO.)	
.XXX ±		承認 (APPD.)	承認 (APPD.)	SJ036050	

DOF-0-212D(98.02)



JAE Connector Div. Proprietary
Copyright © Japan Aviation Electronics Industry, Ltd.

本図面は日本航空電子工業(株)の所有する情報を含むもので当社の許可なく複製を禁止する。
THIS DRAWING CONTAINS INFORMATION THAT IS PROPRIETARY TO JAE AND CAN NOT BE REPRODUCED WITHOUT WRITTEN CONSENT OF JAE.

CDS-01-170-30260
SIZE A3
版数 (REV.) 1