



Chipsmall Limited consists of a professional team with an average of over 10 year of expertise in the distribution of electronic components. Based in Hongkong, we have already established firm and mutual-benefit business relationships with customers from,Europe,America and south Asia,supplying obsolete and hard-to-find components to meet their specific needs.

With the principle of “Quality Parts,Customers Priority,Honest Operation,and Considerate Service”,our business mainly focus on the distribution of electronic components. Line cards we deal with include Microchip,ALPS,ROHM,Xilinx,Pulse,ON,Everlight and Freescale. Main products comprise IC,Modules,Potentiometer,IC Socket,Relay,Connector.Our parts cover such applications as commercial,industrial, and automotives areas.

We are looking forward to setting up business relationship with you and hope to provide you with the best service and solution. Let us make a better world for our industry!



## Contact us

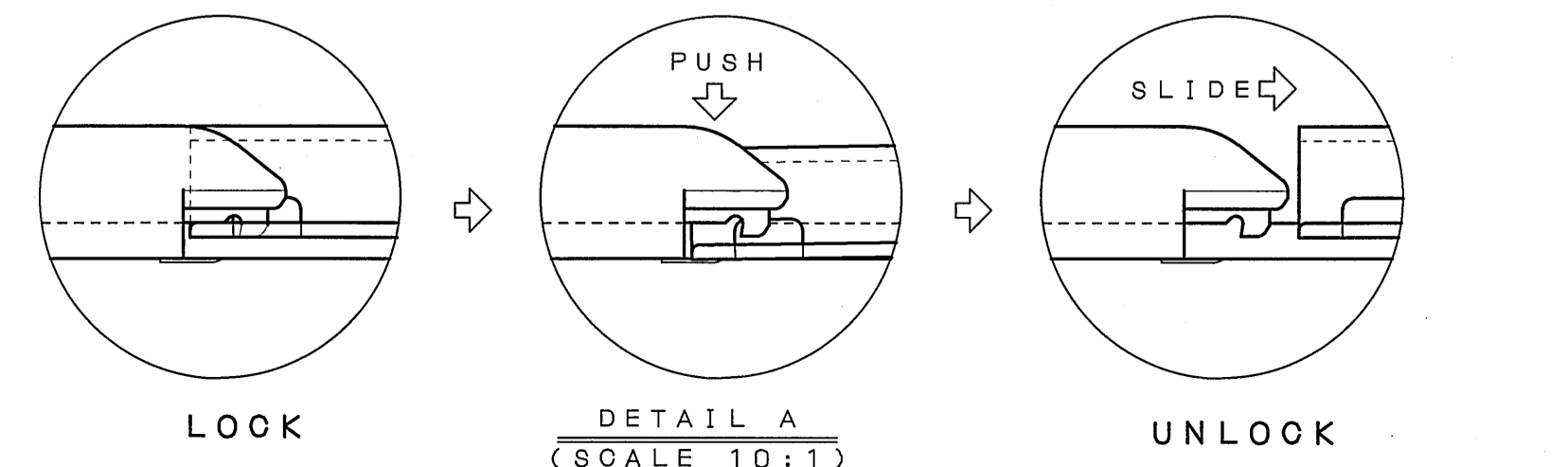
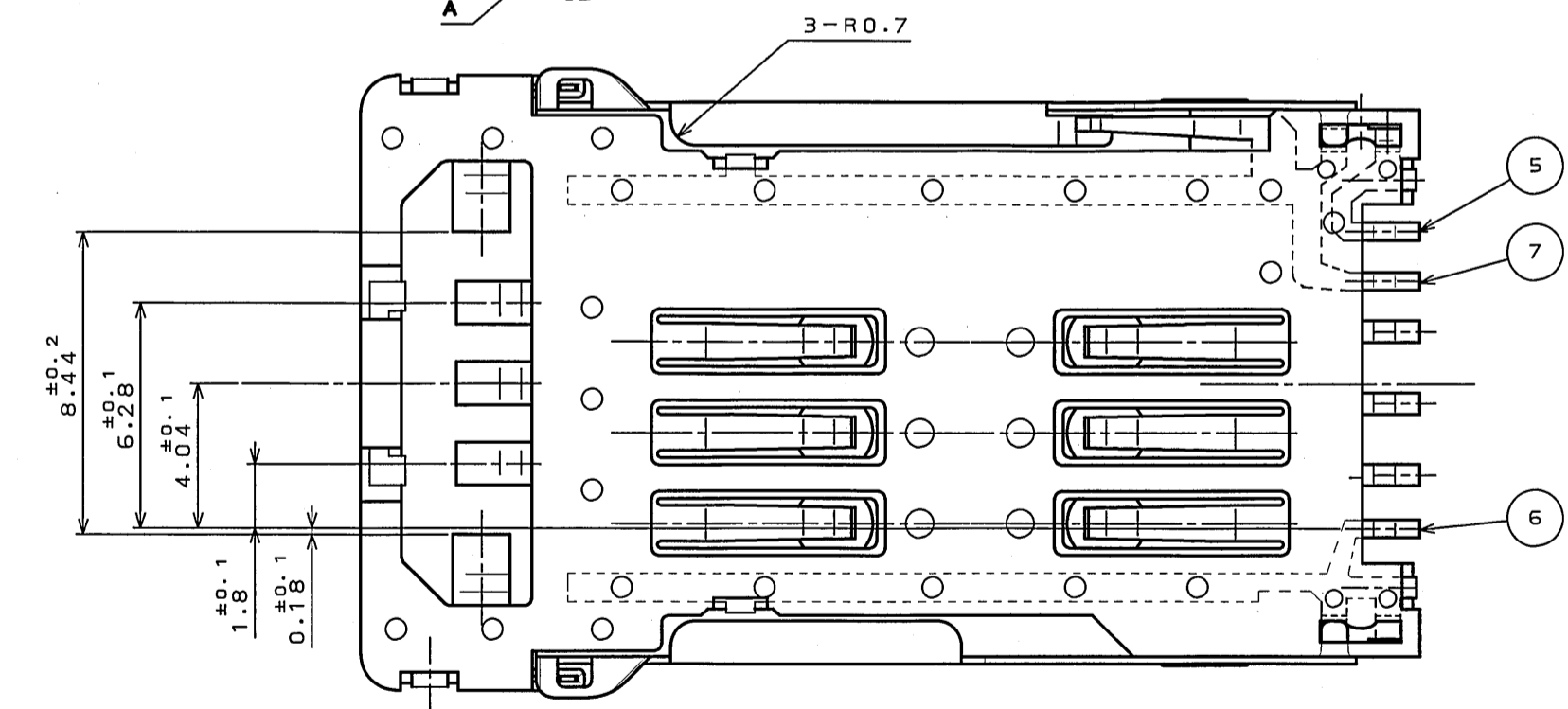
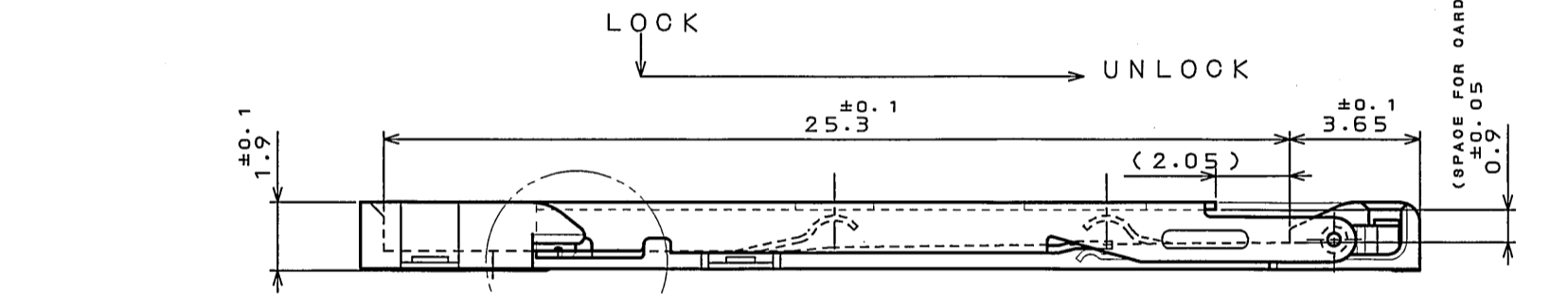
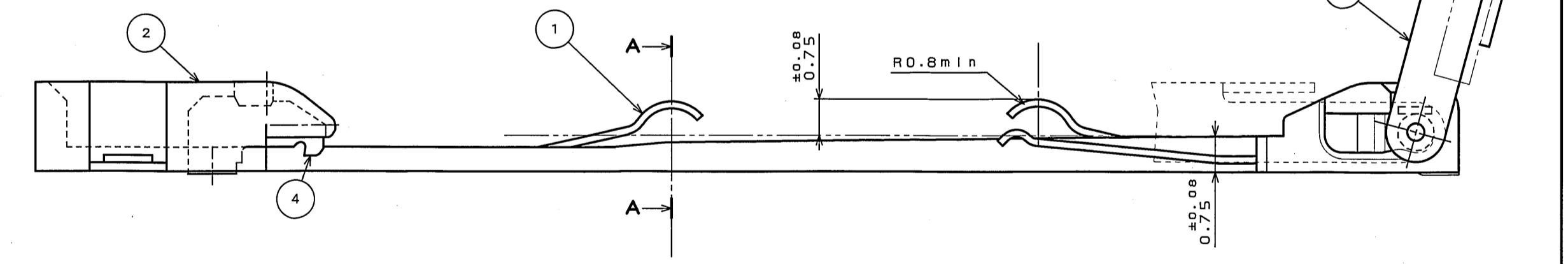
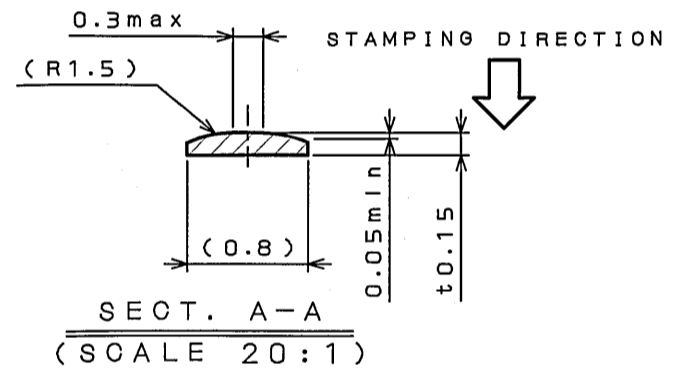
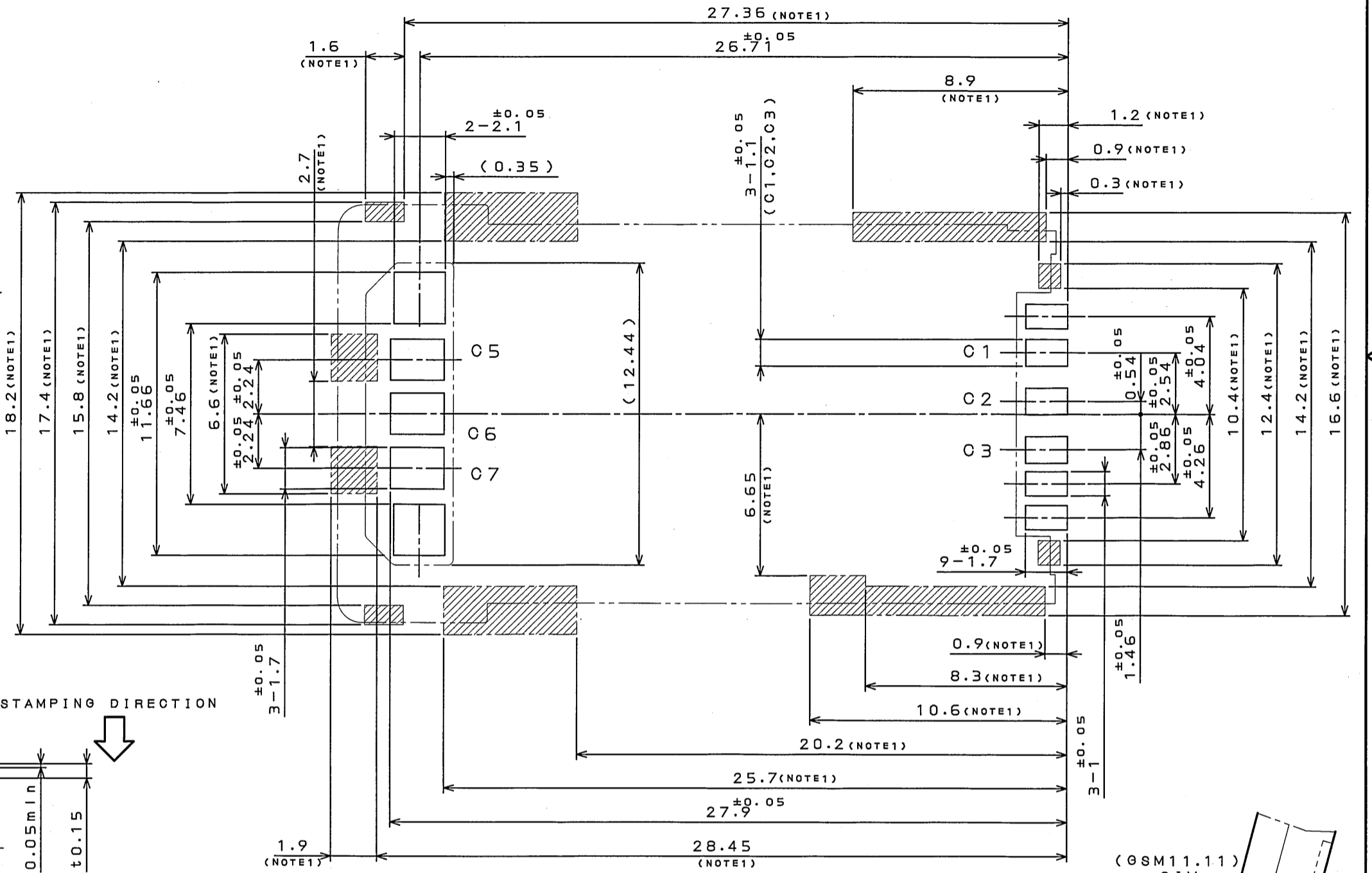
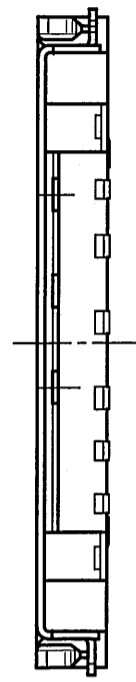
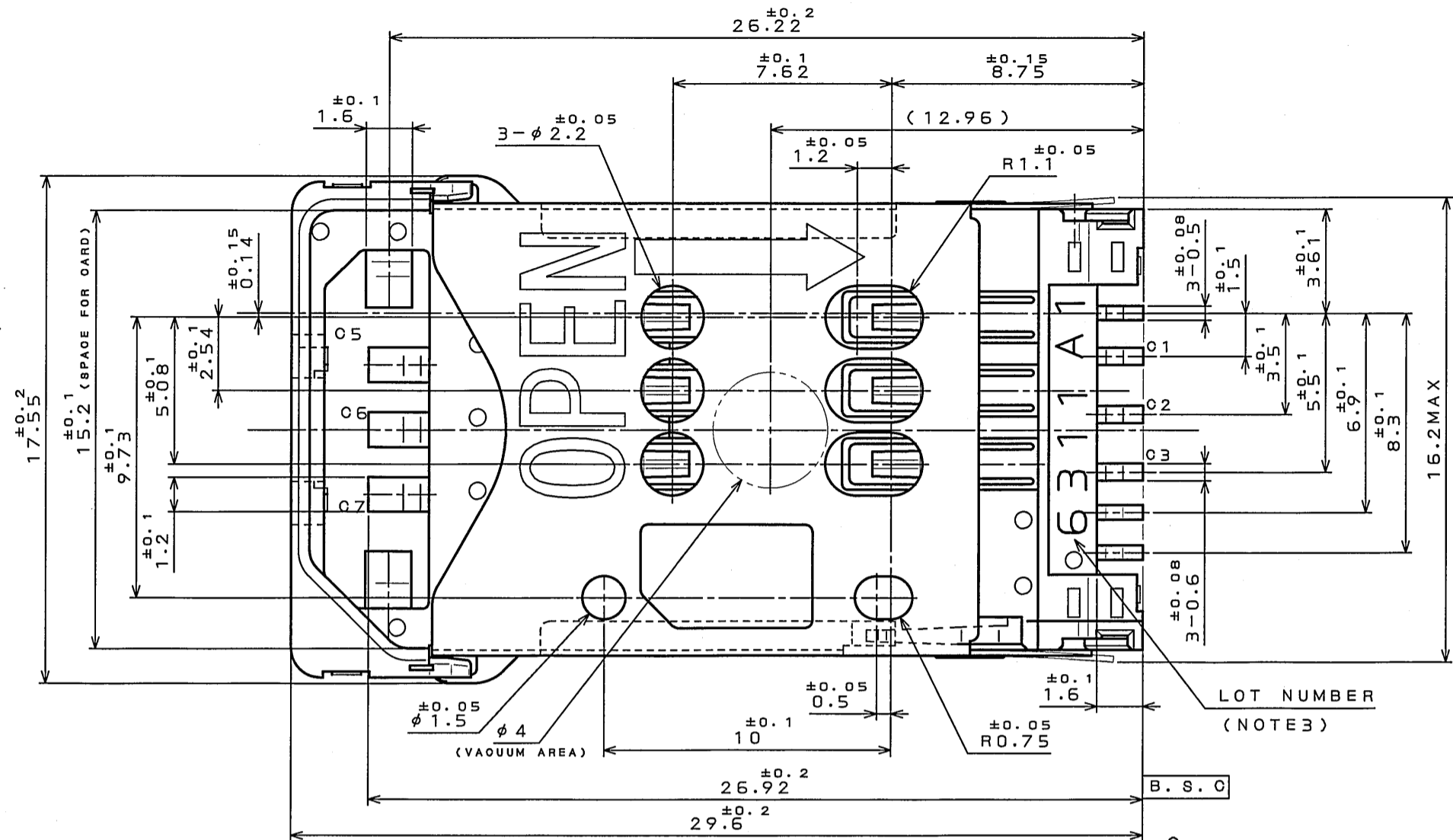
Tel: +86-755-8981 8866 Fax: +86-755-8427 6832

Email & Skype: info@chipsmall.com Web: www.chipsmall.com

Address: A1208, Overseas Decoration Building, #122 Zhenhua RD., Futian, Shenzhen, China



版数 REV.	年月日 DATE	DCN NO.	変更内容 DESCRIPTION	製図 DR.	担当 CHK.	査閲 APPD.	承認 APPD.



NOTE1. DO NOT PLACE ANY PATTERN AND VIA HOLE.  
 NOTE2. COPLANARITY SHOULD BE 0.1mm MAX.  
 NOTE3. PRODUCTION LOT NO. AS INDICATED

EX. 631 1  
 (表示例) PRODUCT LINE (ASSEMBLY MACHINE)  
 WEEK 製造週  
 MONTH (1: JAN, 2: FEB, 0: OCT, X: NOV, Y: DEC) 製造月  
 YEAR (2006) 西暦末尾

注1. 斜線部にパターン及びビアホールは配置しないで下さい。  
 注2. 端子のコ-planarityは 0.1mm MAX.とする。  
 注3. 図示の位置にロット番号を表示する。

TABLE1. FINISH

CONTACT AREA (CARD SIDE)	TERMINAL AREA (P.W.B SIDE)
Au (0.5μm min) OVER NI (2~6μm)	Au (0.03~0.2μm) OVER NI (2~6μm)

7	GRAND PLATE3	1	PHOSPHER BRONZE	Au OVER NI (TABLE1)	±0.15
6	GRAND PLATE2	1		Au OVER NI (TABLE1)	
5	GRAND PLATE1	1		Au OVER NI (TABLE1)	
4	LOCK PLATE	1	STAINLESS STEEL	Au OVER NI (TABLE1)	±0.2
3	COVER	1	GLASS FILLED LCP	UL94 V-0	COLOR: BLACK
2	HOUSING	1	PHOSPHER BRONZE	Au OVER NI (TABLE1)	
1	CONTACT	6	PHOSPHER BRONZE	Au OVER NI (TABLE1)	

符号 NO.	名称 DESCRIPTION	個数 QTY.	材料 MATERIAL	仕上 FINISH	備考 REMARKS
JACS-10221-1					日本航空電子工業株式会社 JAPAN AVIATION ELECTRONICS INDUSTRY, LTD.

仕様書 (SPECIFICATION)	第1版 (ORIGINAL DATE)	尺 (SCALE)	シリーズ (SERIES)	製図 DR.	名称 (TITLE)
JACS-10221-1	7.Mar.2006	5:1	SF7	A. NATORI	SF7W006S4E

公差 (GENERAL TOLERANCE)	角度 (ANGLES)
. ±0.8	° ±
.X ±0.4	°X ±
.XX ±0.1	
.XXX ±	

質量 (MASS)	承認 APPD.
	A. Natori