



Chipsmall Limited consists of a professional team with an average of over 10 year of expertise in the distribution of electronic components. Based in Hongkong, we have already established firm and mutual-benefit business relationships with customers from,Europe,America and south Asia,supplying obsolete and hard-to-find components to meet their specific needs.

With the principle of “Quality Parts,Customers Priority,Honest Operation,and Considerate Service”,our business mainly focus on the distribution of electronic components. Line cards we deal with include Microchip,ALPS,ROHM,Xilinx,Pulse,ON,Everlight and Freescale. Main products comprise IC,Modules,Potentiometer,IC Socket,Relay,Connector.Our parts cover such applications as commercial,industrial, and automotives areas.

We are looking forward to setting up business relationship with you and hope to provide you with the best service and solution. Let us make a better world for our industry!



Contact us

Tel: +86-755-8981 8866 Fax: +86-755-8427 6832

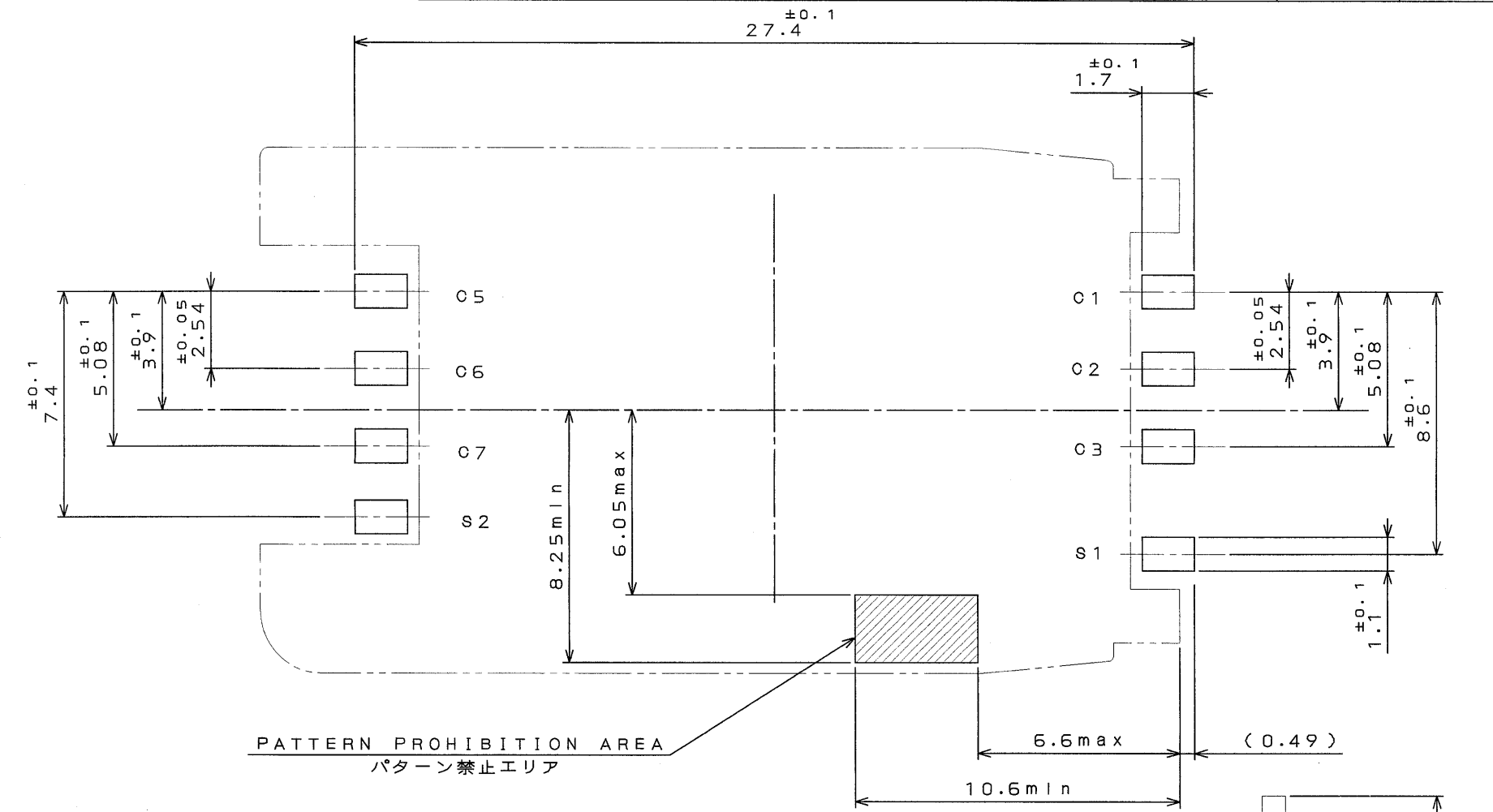
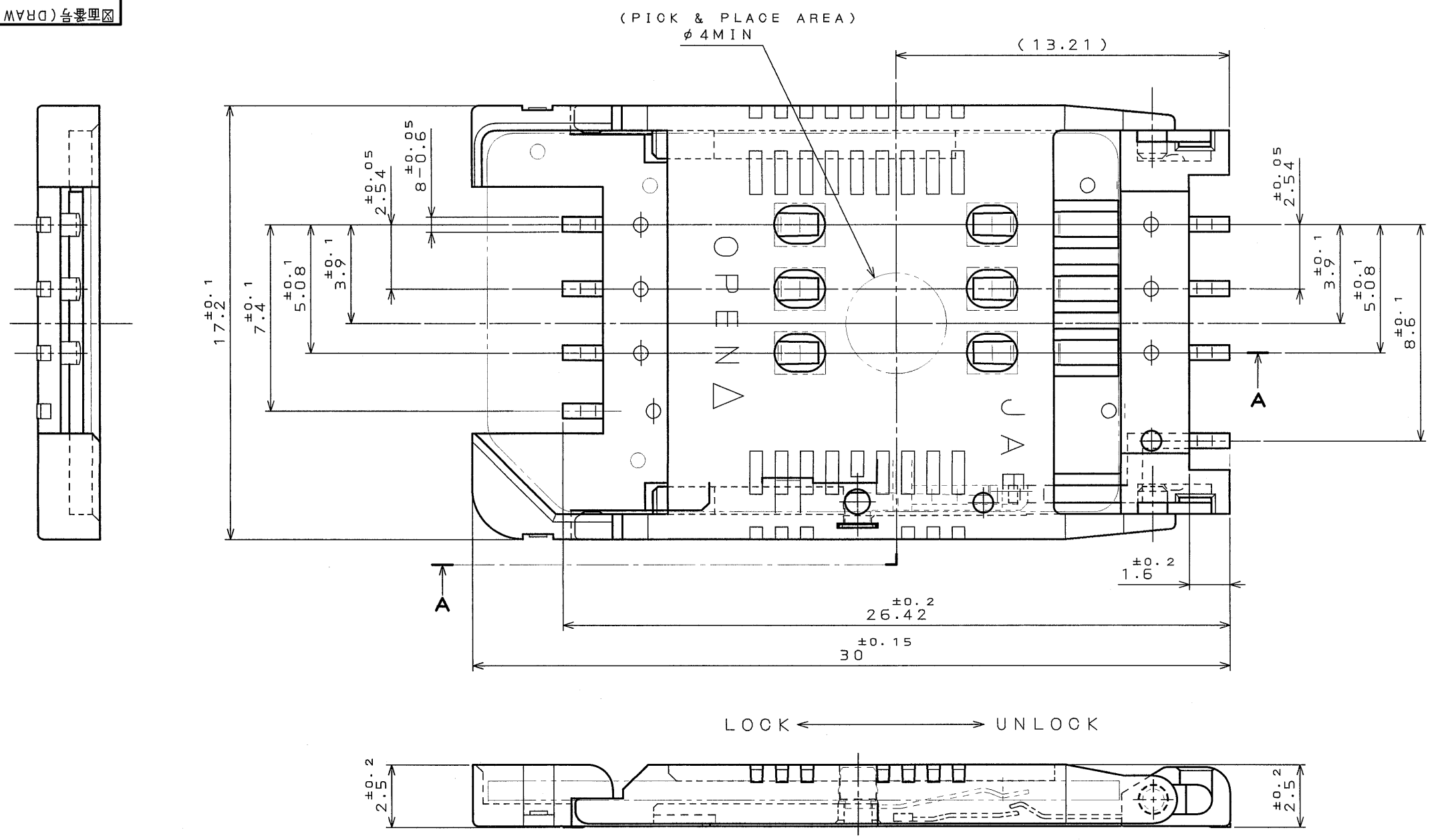
Email & Skype: info@chipsmall.com Web: www.chipsmall.com

Address: A1208, Overseas Decoration Building, #122 Zhenhua RD., Futian, Shenzhen, China



69193169
 (DRAWING NO.)

版数 REV.	年月日 DATE	DCN NO.	変更内容 DESCRIPTION	製図 DR.	担当 CHK.	査閲 APPD.	承認 APPD.
2	27.Sep.2001	48754	CHANGED FORM		A.NATORI		K.Suzuki



APPLICABLE P.C.B. DIMENSION (REF.)
 適合基板寸法(参考)

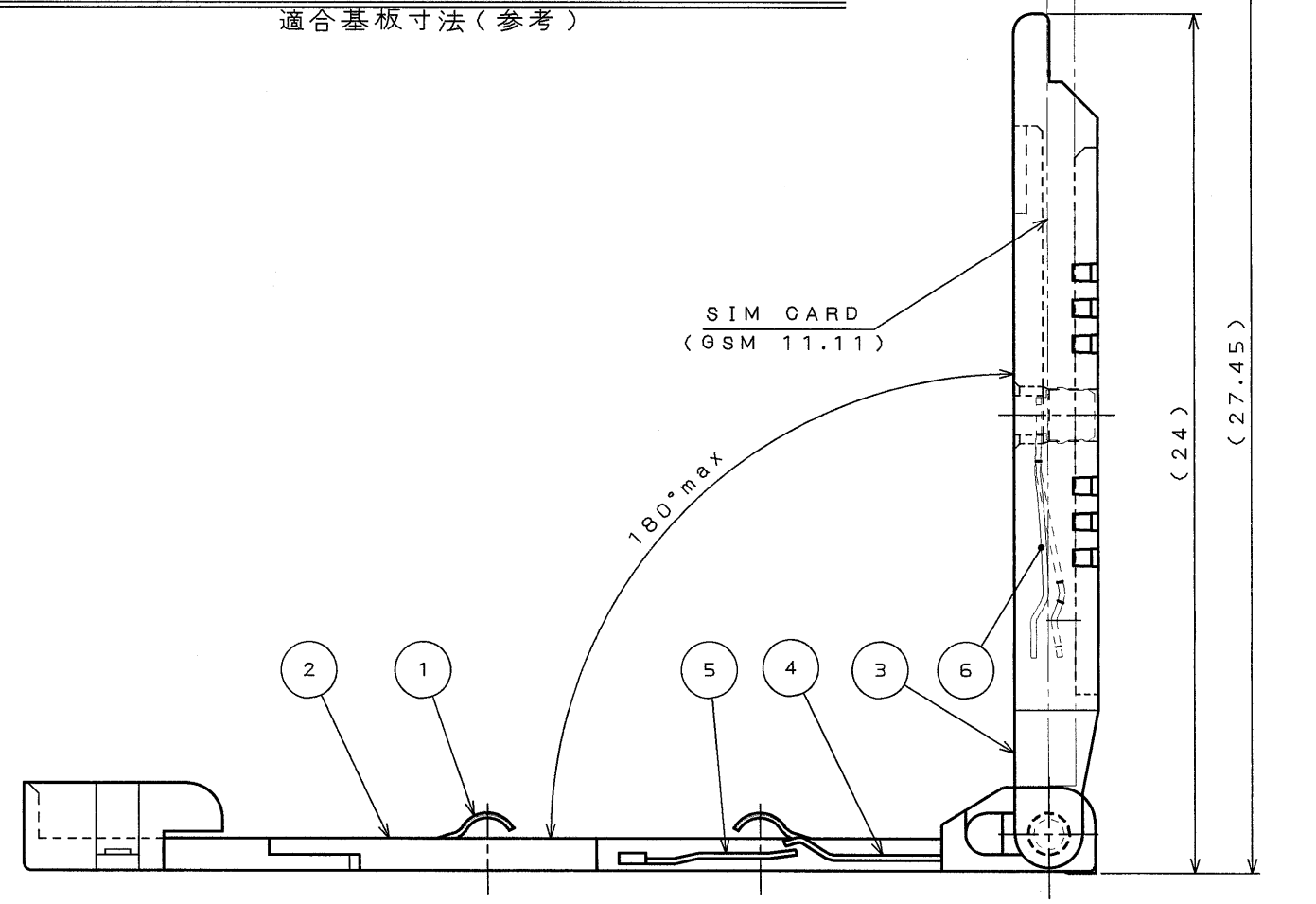
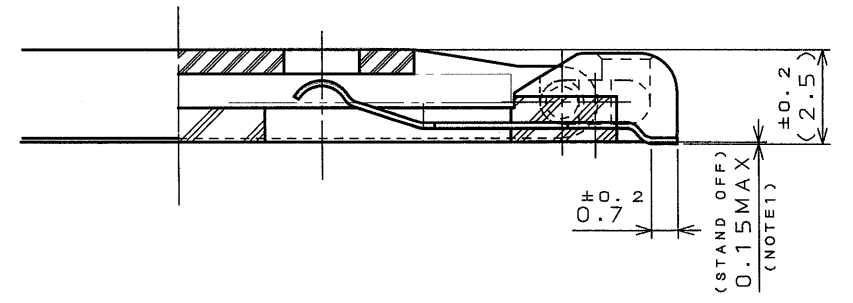
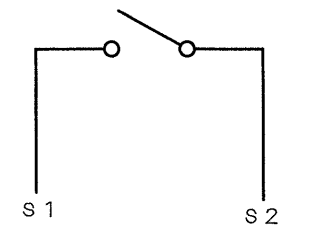


TABLE 1 CARD DETECTION SWITCH
 カード検出スイッチ(S1.S2)

	LOCK	UNLOCK
CARD INSERTED カード有	CLOSE	OPEN
NO CARD INSERTED カード無	OPEN	OPEN



SECT. A-A
 (SCALE 5:1)

NOTE1 COPLANARITY 0.1MAX
 注 端子コプラナリティは 0.1以下とする。

符号 NO.	名称 DESCRIPTION	個数 QTY.	材料 MATERIAL	仕上 FINISH	備考 REMARKS
6	ACTUATOR	1	STAINLESS		
5	SWITCH CONTACT 2	1	COPPER ALLOY	CONTACT AREA:GOLD OVER NICKEL TERMINATION AREA:GOLD FLUSH OVER NICKEL	
4	SWITCH CONTACT 1	2	COPPER ALLOY	CONTACT AREA:GOLD OVER NICKEL TERMINATION AREA:GOLD FLUSH OVER NICKEL	
3	COVER	1	GLASS FILLED LCP		UL94 V-0
2	HOUSING	1	GLASS FILLED LCP		UL94 V-0
1	CONTACT	6	COPPER ALLOY	CONTACT AREA:GOLD OVER NICKEL TERMINATION AREA:GOLD FLUSH OVER NICKEL	

仕様書(SPECIFICATION) JACS-1680	第1版(ORIGINAL DATE) 29.Jul.2001	尺度(SCALE) シリーズ(SERIES) シリス	製図 DR.	日本航空電子工業株式会社 JAPAN AVIATION ELECTRONICS INDUSTRY, LTD.
公差差(GENERAL TOLERANCE)	担当 CHK. A.NATORI	JAE-CONNECTOR.COM Reference Only SF7W008S1A (WITH SWITCH TYPE)		
寸法(DIMENSION)	査閲 APPD.			
角度(ANGLES)	承認 APPD. K.SUZUKI			
. ±				
.X ±		重量(WEIGHT)	図面番号(DRAWING NO.) SJ036169	版数 (REV.) 2

DOF-0-213D(98.02)

CDS-01-170-10340

SIZE A2