



Chipsmall Limited consists of a professional team with an average of over 10 year of expertise in the distribution of electronic components. Based in Hongkong, we have already established firm and mutual-benefit business relationships with customers from,Europe,America and south Asia,supplying obsolete and hard-to-find components to meet their specific needs.

With the principle of "Quality Parts,Customers Priority,Honest Operation,and Considerate Service",our business mainly focus on the distribution of electronic components. Line cards we deal with include Microchip,ALPS,ROHM,Xilinx,Pulse,ON,Everlight and Freescale. Main products comprise IC,Modules,Potentiometer,IC Socket,Relay,Connector.Our parts cover such applications as commercial,industrial, and automotives areas.

We are looking forward to setting up business relationship with you and hope to provide you with the best service and solution. Let us make a better world for our industry!



Contact us

Tel: +86-755-8981 8866 Fax: +86-755-8427 6832

Email & Skype: info@chipsmall.com Web: www.chipsmall.com

Address: A1208, Overseas Decoration Building, #122 Zhenhua RD., Futian, Shenzhen, China

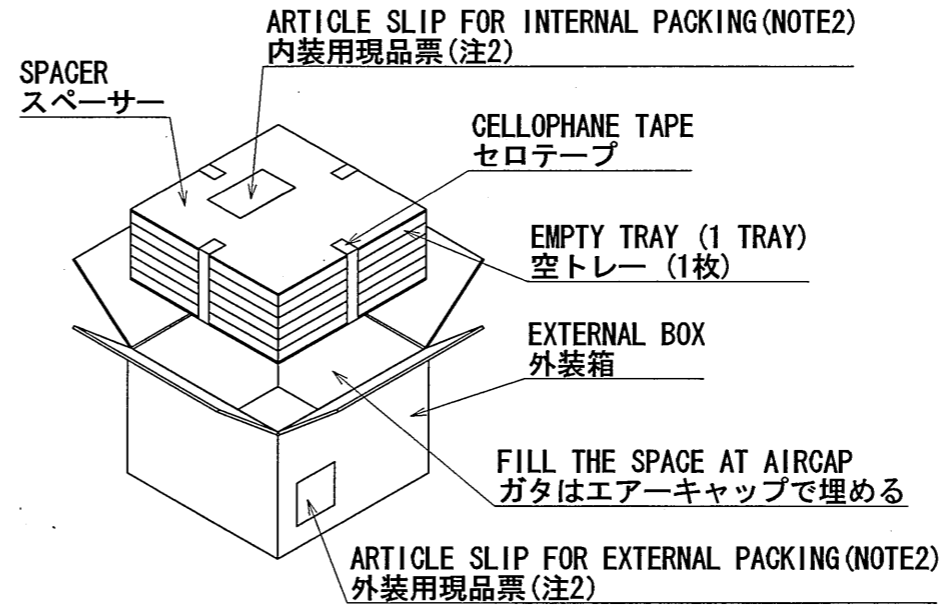
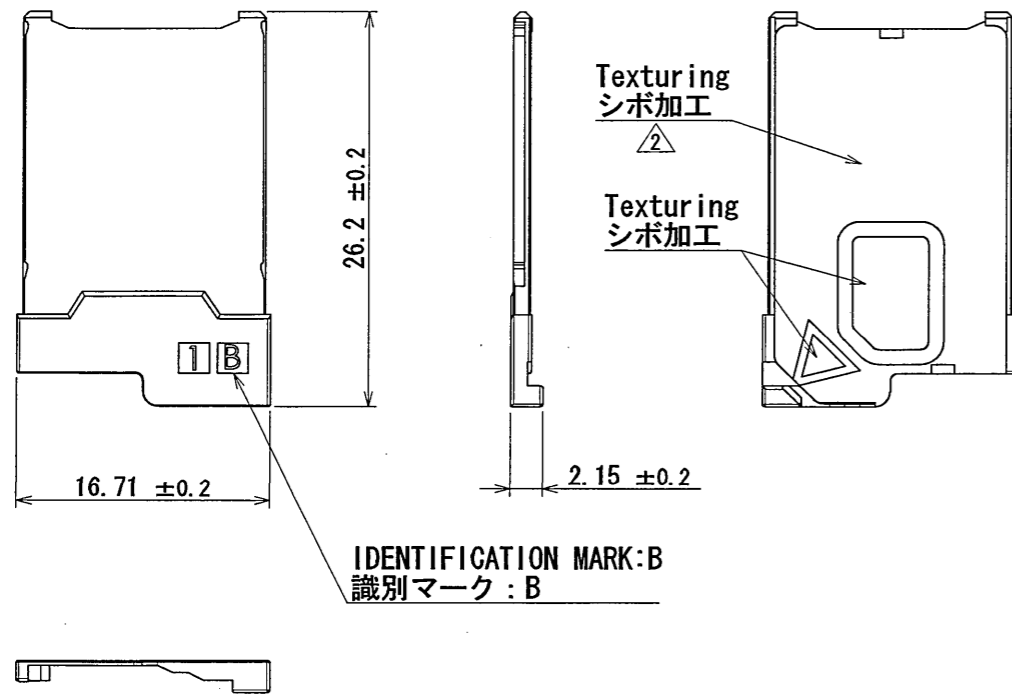


062601PS

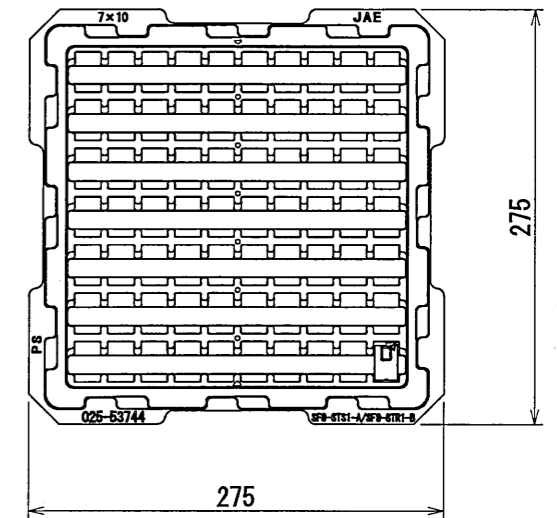
(ON DRAWING)台基図

版数 REV.	年月日 DATE	DCN NO.	変更内容 DESCRIPTION	製図 DR.	担当 CHK.	査閲 APPD.	承認 APPD.
2	19/May/2009	067896	Add Texturing		J. MOTOJIMA	—	A. Natori

PACKING 梱包仕様



PACKING TRAY (MATERIAL: PS)
梱包用トレイ (材料: PS)



EXTERNAL BOX 外装箱	MAXIMUM QUANTITY 最大収納数
□275 × 95mm	770pcs = 70pcs × 11 PACKING TRAY
□275 × 272mm	4200pcs = 70pcs × 60 PACKING TRAY

1	SF8-STR1-B	1	POM (UL94 HB)	-	-
符号 NO.	名称 DESCRIPTION	個数 QTY.	材料 MATERIAL	仕上 FINISH	図番 DWG. NO.
仕様書 (SPECIFICATION) JACS-10578* JABL-10578*		第1版 (ORIGINAL DATE) 16/Mar/2009		2:1	SF8
一般公差 (GENERAL TOLERANCE) 寸法 (DIMENSION)		製図 DR.		シリアルズ (SERIES) 名称 (TITLE) SF8-STR1-B	
角度 (ANGLES)		担当 CHK. J. MOTOJIMA		日本航空電子工業株式会社 JAE JAPAN AVIATION ELECTRONICS INDUSTRY, LTD.	
. ±0.8		査閲 APPD. —		図面番号 (DRAWING NO.) SJ109290	
.x ±0.4		承認 APPD. A. NATORI		質量 (MASS)	
.xx ±0.1				④	
.xxx ±				SIZE A3	
				版数 (REV.) 2	

NOTE1. THIS IS A COMPONENT OF "SF8V006S4B (SJ109289)"
NOTE2. THE LABEL IS TO BE ATTACHED.
注1. 本品は、SF8V006S4B (SJ109289)用のスライドトレイである。
注2. 図示の位置に現品票を貼り品名、収納数、ロットNoを記入する。

DCF-C-212F (05.08)

