



Chipsmall Limited consists of a professional team with an average of over 10 year of expertise in the distribution of electronic components. Based in Hongkong, we have already established firm and mutual-benefit business relationships with customers from,Europe,America and south Asia,supplying obsolete and hard-to-find components to meet their specific needs.

With the principle of "Quality Parts,Customers Priority,Honest Operation,and Considerate Service",our business mainly focus on the distribution of electronic components. Line cards we deal with include Microchip,ALPS,ROHM,Xilinx,Pulse,ON,Everlight and Freescale. Main products comprise IC,Modules,Potentiometer,IC Socket,Relay,Connector.Our parts cover such applications as commercial,industrial, and automotives areas.

We are looking forward to setting up business relationship with you and hope to provide you with the best service and solution. Let us make a better world for our industry!



Contact us

Tel: +86-755-8981 8866 Fax: +86-755-8427 6832

Email & Skype: info@chipsmall.com Web: www.chipsmall.com

Address: A1208, Overseas Decoration Building, #122 Zhenhua RD., Futian, Shenzhen, China

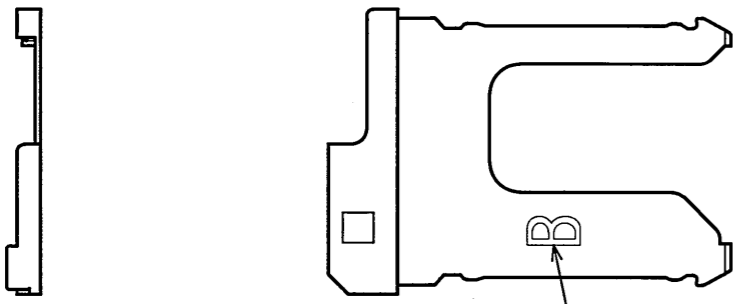


SJ107241
 (DRAWING NO.)

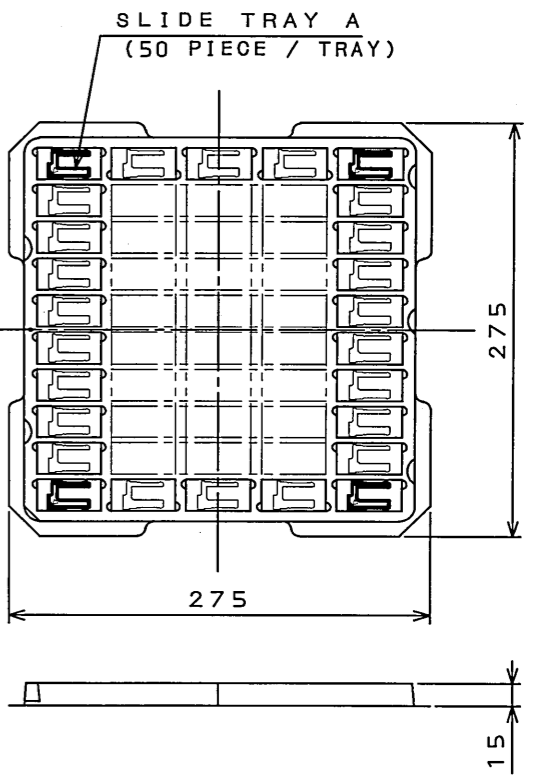
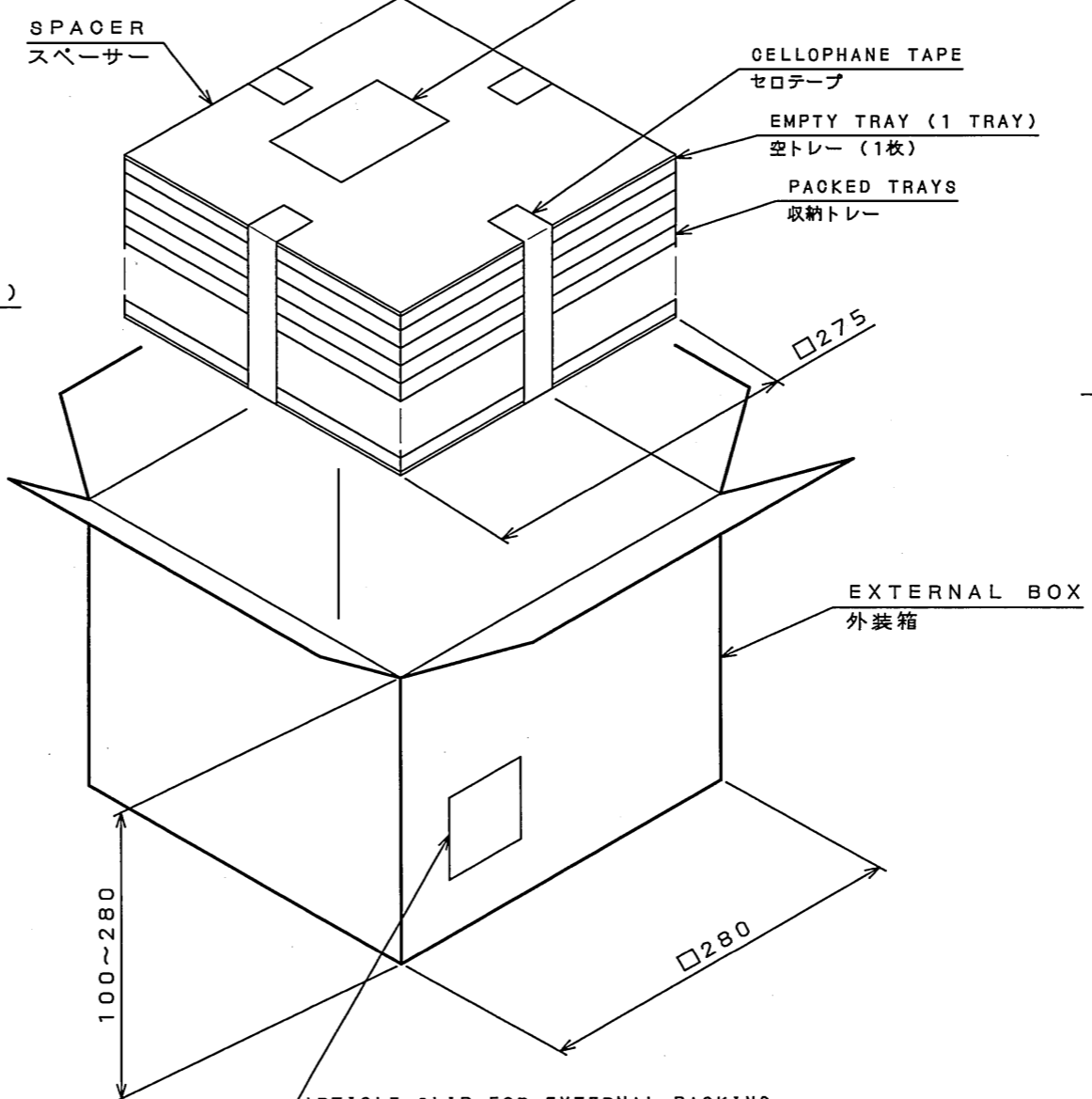
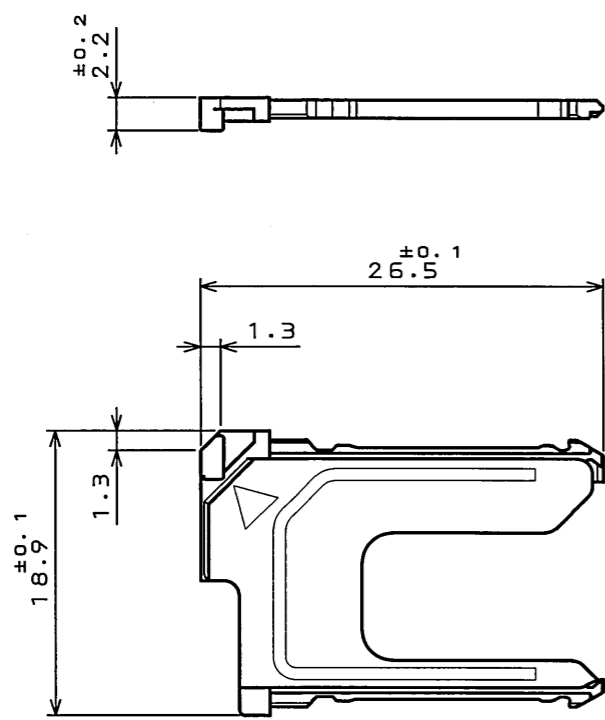
版数 REV.	年月日 DATE	DCN NO.	変更内容 DESCRIPTION	製図 DR.	担当 CHK.	査閲 APPD.	承認 APPD.
2	14.Mar.2007	062538	CORRECTED ERROR IN WRITING		A.MATSUNAGA	J.MOTOJIMA	A.NATORI
3	17.Jul.2008	066214	CHANGED FORM		A.MATSUNAGA	J. Melajima	A.Natori

PACKING
 梱包形態

ARTICLE SLIP FOR INTERNAL PACKING
 内装用現品票



REFERENCE MARK (TYPE B)
 識別マーク (Bタイプ)



ARTICLE SLIP FOR EXTERNAL PACKING
 外装用現品票

NOTE1. THIS IS A COMPONENT OF "SF9W006S4B"
 NOTE2. THE LABEL IS TO BE ATTACHED ON THE TRAY.

注1. 本品は、SF9W006S4B (SJ107239) 用のスライドトレイである。
 注2. 図示の位置に現品票を貼り品名、収納数、ロットNoを記入する。

2	TRAY	—	POLYSTYRENE		
1	SF9-ST51-A SLIDE TRAY A	—	POLYCARBONATE		UL94 V-0 COLOR: BLACK
符号 NO.	名称 DESCRIPTION	個数 QTY.	材料 MATERIAL	仕上 FINISH	備考 REMARKS
仕様書 (SPECIFICATION)		第1版 (ORIGINAL DATE)		尺度 (SCALE)	シリーズ (SERIES)
J AHL-10395		26.Jan.2007		2:1	SF9
一般公差 (GENERAL TOLERANCE)		製図 DR.		名称 (TITLE)	
寸法 (DIMENSION) 角度 (ANGLES)		担当 CHK. A.MATSUNAGA		SF9-STR1-B	
. ±0.8 X° ±		査閲 APPD. J.MOTOJIMA		SLIDE TRAY B	
.X ±0.4 XX° ±		承認 APPD. A.NATORI		質量 (MASS)	
.XX ±0.1				⊕	
.XXX ±					
				日本航空電子工業株式会社 JAPAN AVIATION ELECTRONICS INDUSTRY, LTD.	
				図面番号 (DRAWING NO.)	
				SJ107241	
				版数 (REV.)	
				3	

DOF-0-212F(05.08)

