



Chipsmall Limited consists of a professional team with an average of over 10 year of expertise in the distribution of electronic components. Based in Hongkong, we have already established firm and mutual-benefit business relationships with customers from,Europe,America and south Asia,supplying obsolete and hard-to-find components to meet their specific needs.

With the principle of “Quality Parts,Customers Priority,Honest Operation,and Considerate Service”,our business mainly focus on the distribution of electronic components. Line cards we deal with include Microchip,ALPS,ROHM,Xilinx,Pulse,ON,Everlight and Freescale. Main products comprise IC,Modules,Potentiometer,IC Socket,Relay,Connector.Our parts cover such applications as commercial,industrial, and automotives areas.

We are looking forward to setting up business relationship with you and hope to provide you with the best service and solution. Let us make a better world for our industry!



Contact us

Tel: +86-755-8981 8866 Fax: +86-755-8427 6832

Email & Skype: info@chipsmall.com Web: www.chipsmall.com

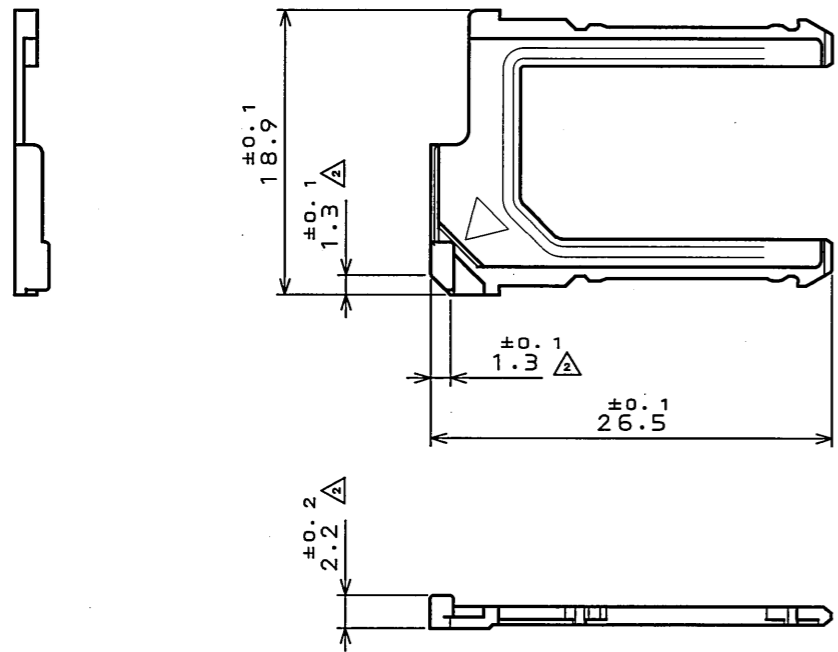
Address: A1208, Overseas Decoration Building, #122 Zhenhua RD., Futian, Shenzhen, China



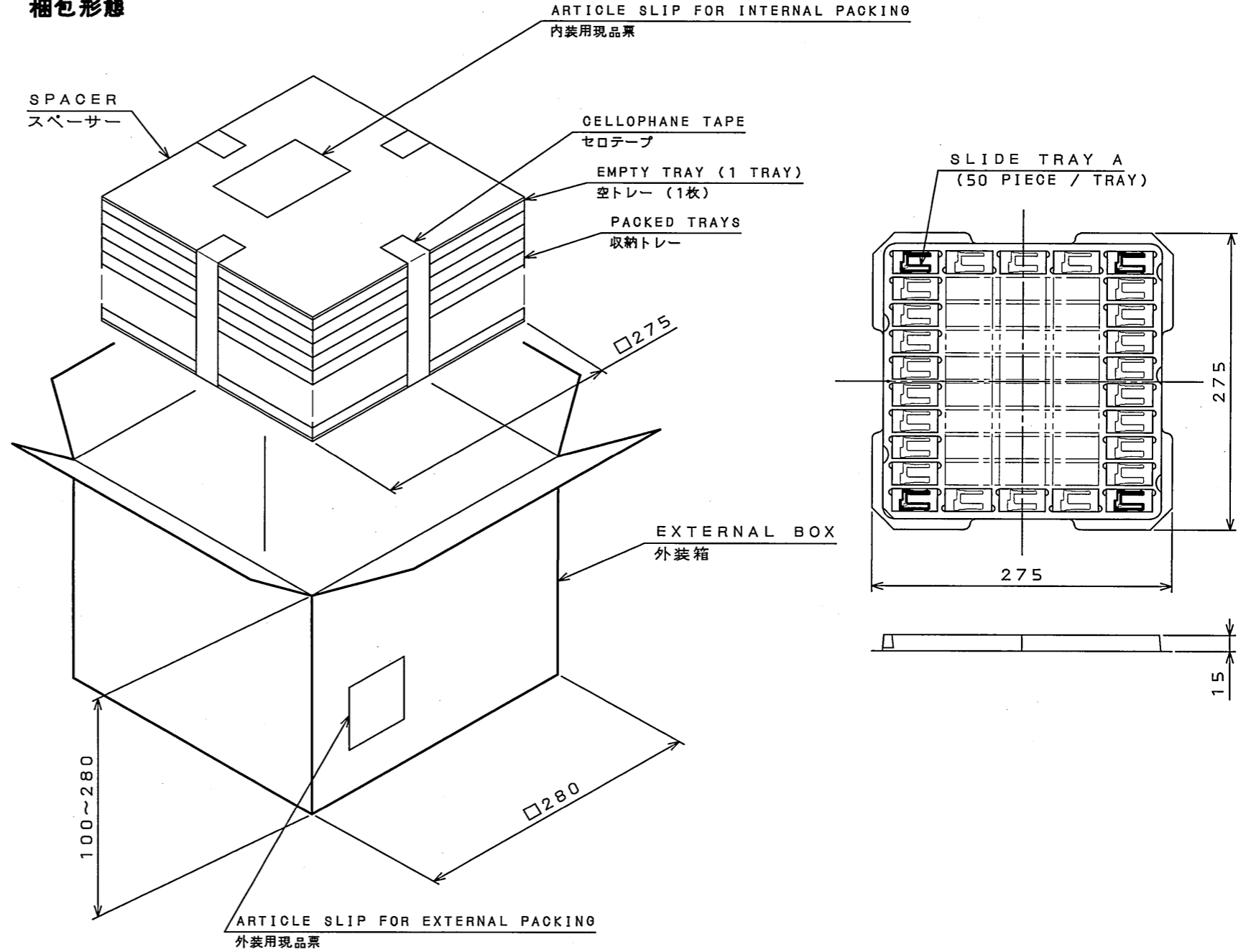
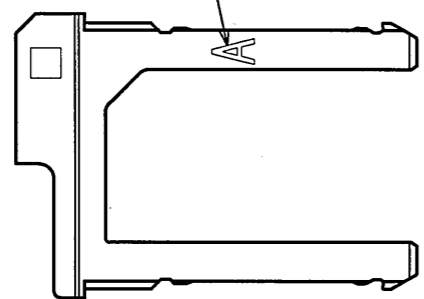
LOZ7019S
(ON DRAWING NO.)

版数 REV.	年月日 DATE	DCN NO.	変更内容 DESCRIPTION	製図 DR.	担当 CHK.	査閲 APPD.	承認 APPD.
2	22.Nov.2006	061657	CHANGED FORM		A.MATSUNAGA		A.NATORI
3	14.Mar.2007	062538	CORRECTED ERROR IN WRITING		A.MATSUNAGA	J. Motojima	A. Natori

PACKING
梱包形態



REFERENCE MARK (TYPE A)
識別マーク (Aタイプ)



NOTE 1. THIS IS A COMPONENT OF "SF9W006S4A"
NOTE 2. THE LABEL IS TO BE ATTACHED ON THE TRAY.

注1. 本品は、SF9W006S4A (SJ107199) 用のスライドトレイである。
注2. 図示の位置に現品票を貼り品名、収納数、ロットNoを記入する。

符号 NO.	名称 DESCRIPTION	個数 QTY.	材料 MATERIAL	仕上 FINISH	備考 REMARKS
2	TRAY	—	POLYSTYRENE	—	—
1	SF9-ST51-A SLIDE TRAY A	—	POLYCARBONATE	—	UL94 V-0 COLOR: BLACK
仕様書 (SPECIFICATION)		第1版 (ORIGINAL DATE)		尺度 (SCALE)	シリーズ (SERIES)
JAHL-10395		23.Oct.2006		2:1	SF9
公差差 (GENERAL TOLERANCE)		製図 DR.		名称 (TITLE)	
寸法 (DIMENSION) 角度 (ANGLES)		担当 CHK. A.MATSUNAGA		SF9-ST51-A	
. ±0.8 X° ±		査閲 APPD. J.MOTOJIMA		SLIDE TRAY A	
.X ±0.4 X°X' ±		承認 APPD. A.NATORI		質量 (MASS)	
.XX ±0.1				⊕	
.XXX ±					
				日本航空電子工業株式会社 JAE ELECTRONICS INDUSTRY, LTD.	
				図面番号 (DRAWING NO.) SJ107201	
				版数 (REV.) 3	

DOF-0-212F(05.08)

