



Chipsmall Limited consists of a professional team with an average of over 10 year of expertise in the distribution of electronic components. Based in Hongkong, we have already established firm and mutual-benefit business relationships with customers from,Europe,America and south Asia,supplying obsolete and hard-to-find components to meet their specific needs.

With the principle of "Quality Parts,Customers Priority,Honest Operation,and Considerate Service",our business mainly focus on the distribution of electronic components. Line cards we deal with include Microchip,ALPS,ROHM,Xilinx,Pulse,ON,Everlight and Freescale. Main products comprise IC,Modules,Potentiometer,IC Socket,Relay,Connector.Our parts cover such applications as commercial,industrial, and automotives areas.

We are looking forward to setting up business relationship with you and hope to provide you with the best service and solution. Let us make a better world for our industry!



## Contact us

Tel: +86-755-8981 8866 Fax: +86-755-8427 6832

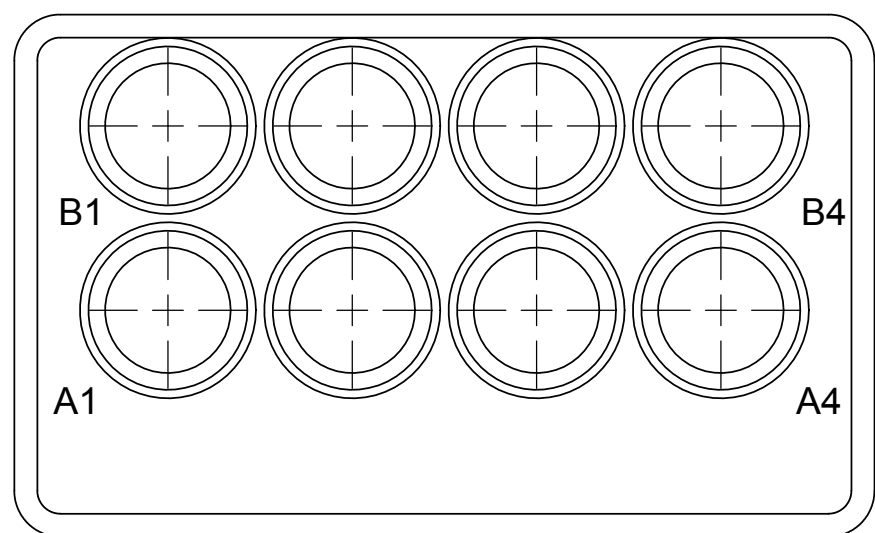
Email & Skype: info@chipsmall.com Web: www.chipsmall.com

Address: A1208, Overseas Decoration Building, #122 Zhenhua RD., Futian, Shenzhen, China

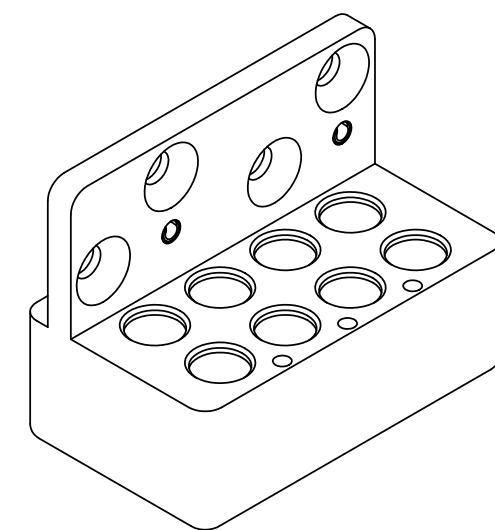
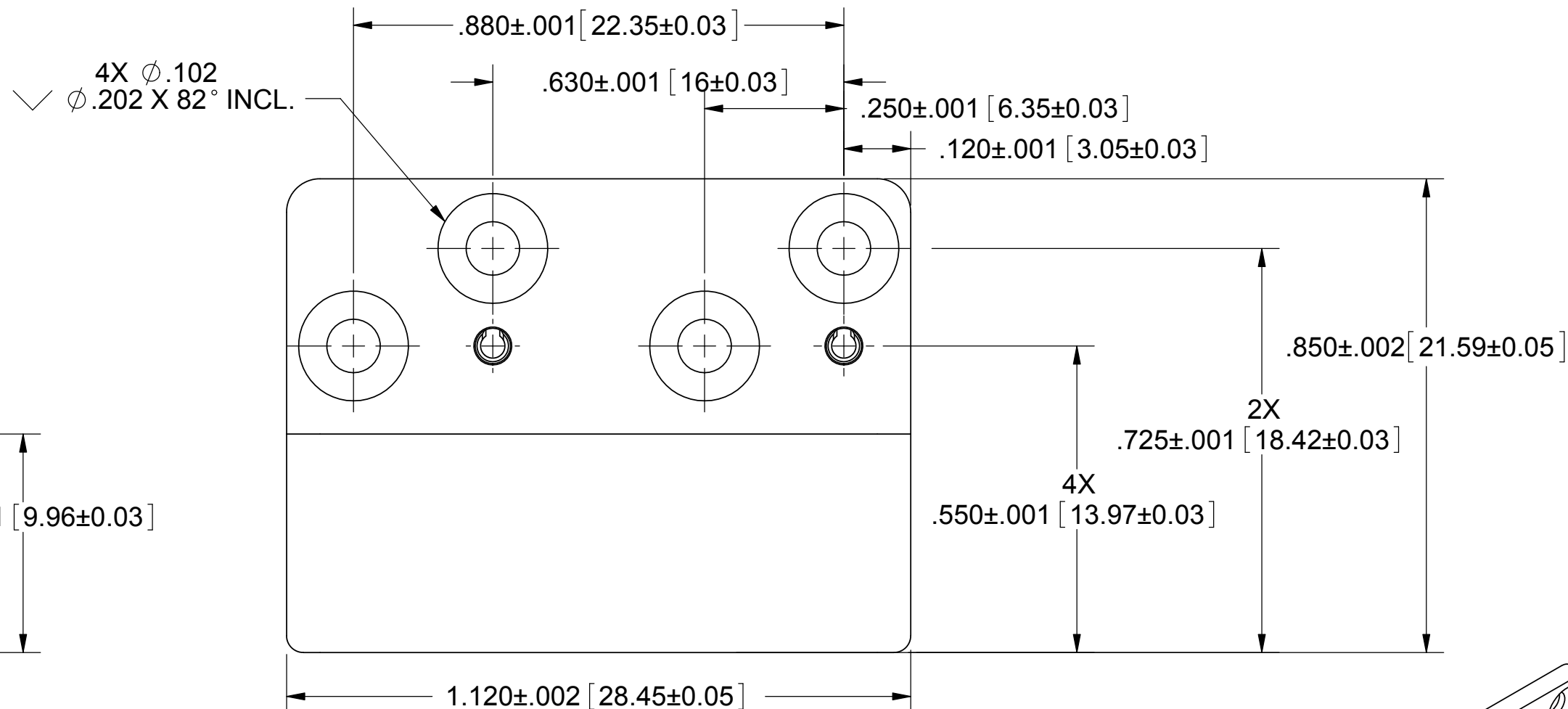
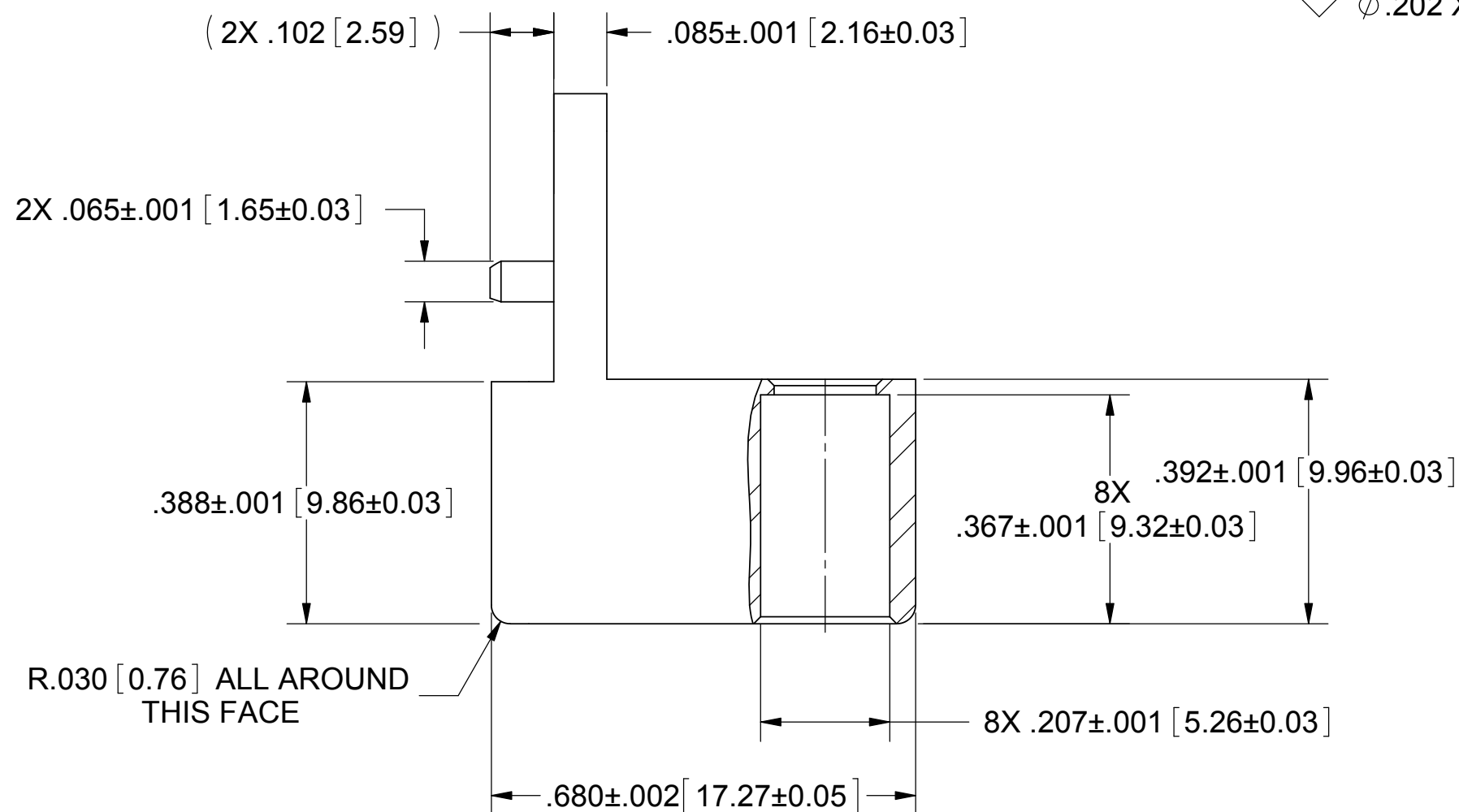
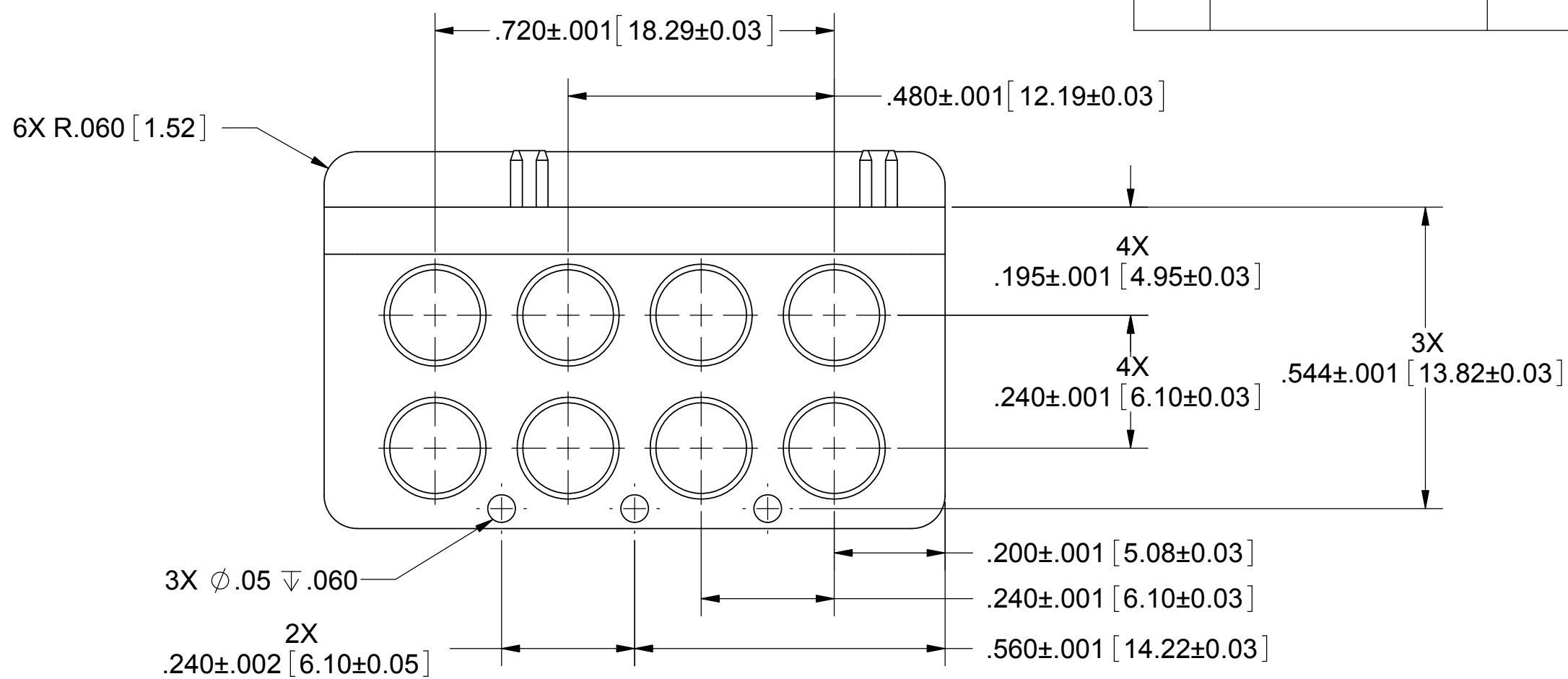


# PRODUCT DATA DRAWING

REVISION HISTORY			
REV.	DESCRIPTION	DATE	APPROVED
B	REV. DCN 38885	2/29/12	STW



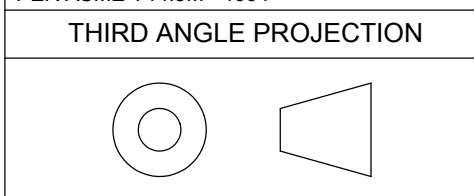
CAVITY IDENTIFICATION



MATERIAL:  
 MODULE: STAINLESS STEEL PER AMS-5640, ALLOY UNS S30300, TYPE 1  
 SPRING PINS: STAINLESS STEEL PER ASTM A313, ALLOY UNS S30200, TYPE 302.  
 FINISH:  
 MODULE & SPRING PINS: PASSIVATED PER AMS-2700.

MATERIAL: SEE NOTES  
 FINISH: SEE NOTES  
 DO NOT SCALE DRAWING  
**PROPRIETARY**  
 THE INFORMATION CONTAINED IN THIS DRAWING IS THE SOLE PROPERTY OF SV MICROWAVE, INC. ANY REPRODUCTION IN PART OR AS A WHOLE WITHOUT THE WRITTEN PERMISSION OF SV MICROWAVE, INC. IS PROHIBITED.

DIMENSIONS ARE IN INCHES  
 TOLERANCES:  
 ANGULAR: ±1°  
 ONE PLACE DECIMAL ±.030  
 TWO PLACE DECIMAL ±.010  
 THREE PLACE DECIMAL ±.005  
 INTERPRET DIMENSIONS AND TOLERANCES PER ASME Y14.5M - 1994



UNLESS OTHERWISE SPECIFIED:  
 1. ALL DIMENSIONS ARE AFTER PLATING.  
 2. BREAK CORNERS & EDGES R.005 MAX.  
 3. CHAMFER 1ST AND LAST THREAD.  
 4. SURFACE ROUGHNESS 63 PER MIL-STD-10.  
 5. DIA'S ON COMMON CENTERS TO BE CONCENTRIC WITHIN .005 T.I.R.  
 6. REMOVE ALL BURRS.  
 DRAWN: JMC 12/13/10  
 CHECKED: STW 02/07/11  
 APPROVED: STW 02/07/11  
 E.M. SIMULATION: N/A

**SV Microwave, Inc.**  
 2400 Centrepark West Drive, Suite 100  
 West Palm Beach, FL 33409  
 TITLE: **MULTIPOINT MODULE 8 POS**  
 SIZE: C CAGE CODE: 95077 DWG. NO. SF9321-60013  
 SCALE: 4:1 SHEET 1 OF 1