



Chipsmall Limited consists of a professional team with an average of over 10 year of expertise in the distribution of electronic components. Based in Hongkong, we have already established firm and mutual-benefit business relationships with customers from,Europe,America and south Asia,supplying obsolete and hard-to-find components to meet their specific needs.

With the principle of “Quality Parts,Customers Priority,Honest Operation,and Considerate Service”,our business mainly focus on the distribution of electronic components. Line cards we deal with include Microchip,ALPS,ROHM,Xilinx,Pulse,ON,Everlight and Freescale. Main products comprise IC,Modules,Potentiometer,IC Socket,Relay,Connector.Our parts cover such applications as commercial,industrial, and automotives areas.

We are looking forward to setting up business relationship with you and hope to provide you with the best service and solution. Let us make a better world for our industry!



Contact us

Tel: +86-755-8981 8866 Fax: +86-755-8427 6832

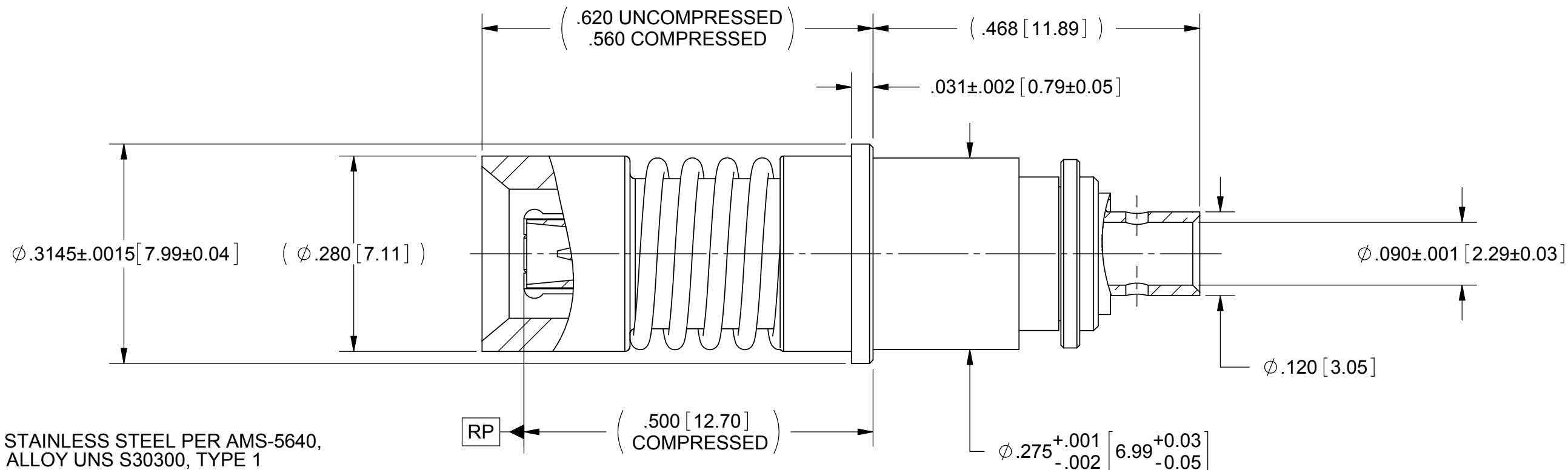
Email & Skype: info@chipsmall.com Web: www.chipsmall.com

Address: A1208, Overseas Decoration Building, #122 Zhenhua RD., Futian, Shenzhen, China



PRODUCT DATA DRAWING

REVISION HISTORY			
REV	DESCRIPTION	DATE	APPROVED
B	DCN 38472	08/11	STW



MATERIAL:

BODY & SLEEVE:

STAINLESS STEEL PER AMS-5640, ALLOY UNS S30300, TYPE 1

FERRULE:

BRASS PER ASTM B16 ALLOY UNS No. 36000

CONTACT LOCK RING:

BERYLLIUM COPPER PER ASTM B196, ALLOY No. UNS C17300, TD04

INSULATOR: GASKET:

PTFE PER ASTM D1710, TYPE I, GRADE 1, CLASS B
SILICONE RUBBER PER A-A-59588, CLASS 2B, GRADE 50/60

SPRING:

STAINLESS STEEL PER ASTM A313, TYPE 631.

FINISH:

BODY, SLEEVE & SPRING:

PASSIVATED PER AMS-2700, TYPE 2.

CONTACT & FERRULE:

GOLD PER ASTM B488, TYPE II, CODE C, CLASS 1.27; OVER NICKEL PER AMS-QQ-N-290, CLASS 1, .00005" MIN.

LOCK RING:

NICKEL PER AMS-QQ-N-290.

PERFORMANCE:

IMPEDANCE:

50 OHMS

FREQ. RANGE:

DC TO 18.0 GHz

VSWR:

1.25:1 MAX. MATED PAIR DC TO 18.0 GHz

INSERTION LOSS:

.06 X SQRT(F(F IN GHz))

DWV:

1000 VRMS

OPERATING TEMP.:

-55°C TO +125°C

SIZE 8 SOCKET CONTACT

MATERIAL: SEE NOTES	DIMENSIONS ARE IN INCHES TOLERANCES: FRACTIONAL: ±1/64 ANGULAR: X° ±1'0" X'X' ±15'	UNLESS OTHERWISE SPECIFIED 1) ALL DIMENSIONS ARE IN INCHES (MILLIMETERS) 2) ALL DIMENSIONS ARE AFTER PLATING. 3) BREAK CORNERS & EDGES .005 R. MAX. 4) CHAM. 1ST & LAST THREADS. 5) SURFACE ROUGHNESS ⁶³ MIL-STD-10. 6) DIA.'S ON COMMON CENTERS TO BE CONCENTRIC WITHIN .005 T.I.R. 7) REMOVE ALL BURRS	SV Microwave, Inc. 2400 Centrepark West Drive, Suite 100 West Palm Beach, FL 33409
FINISH: SEE NOTES	DECIMAL: X ±.030 .XX ±.010 .XXX ±.005	INTERPRET DIMENSIONS AND TOLERANCES PER ASME Y14.5M - 1994	TITLE: 18 GHz BMZ MALE TO TFLEX-405 FOR M38999 SIZE 8 CAVITY
SURFACE AREA: N/A	PROPRIETARY THE INFORMATION CONTAINED IN THIS DRAWING IS THE SOLE PROPERTY OF SV MICROWAVE, INC. ANY REPRODUCTION IN PART OR AS A WHOLE WITHOUT THE WRITTEN PERMISSION OF SV MICROWAVE, INC IS PROHIBITED.	THIRD ANGLE PROJECTION 	SIZE: B CAGE CODE: 95077 DWG. NO.: SF9811-6000
		DRAWN: JMC 03/15/07 CHECKED: STW 05/08/07 APPROVED: STW 05/08/07	SCALE: 6:1 SHEET 1 OF 1