



Chipsmall Limited consists of a professional team with an average of over 10 year of expertise in the distribution of electronic components. Based in Hongkong, we have already established firm and mutual-benefit business relationships with customers from,Europe,America and south Asia,supplying obsolete and hard-to-find components to meet their specific needs.

With the principle of “Quality Parts,Customers Priority,Honest Operation,and Considerate Service”,our business mainly focus on the distribution of electronic components. Line cards we deal with include Microchip,ALPS,ROHM,Xilinx,Pulse,ON,Everlight and Freescale. Main products comprise IC,Modules,Potentiometer,IC Socket,Relay,Connector.Our parts cover such applications as commercial,industrial, and automotives areas.

We are looking forward to setting up business relationship with you and hope to provide you with the best service and solution. Let us make a better world for our industry!



## Contact us

Tel: +86-755-8981 8866 Fax: +86-755-8427 6832

Email & Skype: info@chipsmall.com Web: www.chipsmall.com

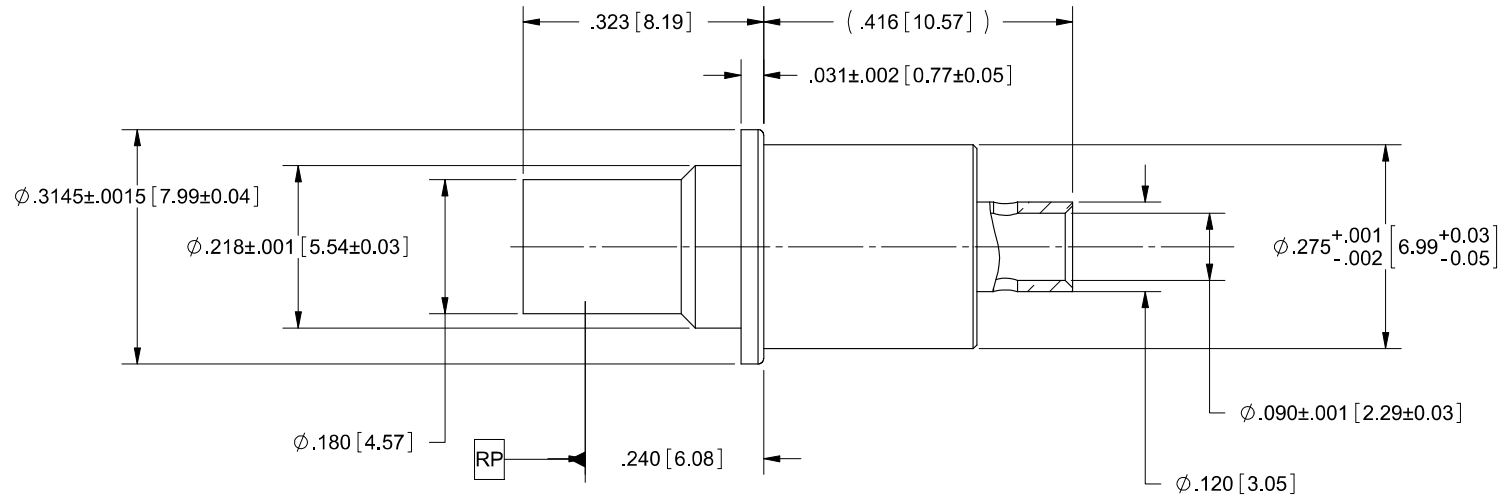
Address: A1208, Overseas Decoration Building, #122 Zhenhua RD., Futian, Shenzhen, China



ROHS COMPLIANT

# PRODUCT DATA DRAWING

REVISION HISTORY			
REV	DESCRIPTION	DATE	APPROVED
-	REL. DCN 35469	10/24/07	STW
A	REV. DCN 35878	06/10/08	STW



**MATERIAL:**  
**BODY:** STAINLESS STEEL PER AMS-5640, ALLOY UNS S30300, TYPE 1  
**FERRULE:** BRASS PER ASTM B16, ALLOY UNS No. C36000  
**CONTACT:** BERYLLIUM COPPER PER ASTM B196, ALLOY No. UNS C17300, TD04  
**INSULATOR:** PTFE PER ASTM D1710, TYPE I, GRADE 1, CLASS B  
**FINISH:**  
**BODY:** PASSIVATED PER AMS-2700, TYPE 2.  
**CONTACT & FERRULE:** GOLD PER ASTM B488, TYPE II, CODE C, CLASS 1.27; OVER NICKEL PER AMS-QQ-N-290, CLASS 1, .00005" MIN.

**PERFORMANCE:**  
**IMPEDANCE:** 50 OHMS  
**FREQ. RANGE:** DC TO 40.0 GHZ  
**VSWR:** 1.40:1 MAX. MATED PAIR DC TO 40.0 GHZ  
**INSERTION LOSS:** .06 X SQRT(F IN GHZ))  
**DWV:** 1000 VRMS  
**OPERATING TEMP.:** -55°C TO +125°C

<b>MATERIAL:</b> SEE NOTES	<b>DIMENSIONS ARE IN INCHES TOLERANCES:</b> FRACTIONAL: ±1/64 ANGULAR: X° ±1'0" X"X' ±15"	<b>UNLESS OTHERWISE SPECIFIED</b> 1) ALL DIMENSIONS ARE IN INCHES (MILLIMETERS) 2) ALL DIMENSIONS ARE AFTER PLATING. 3) BREAK CORNERS & EDGES .005 R. MAX. 4) CHAM. 1ST & LAST THREADS. 5) SURFACE ROUGHNESS √ MIL-STD-19 6) DIA.'S ON COMMON CENTERS TO BE CONCENTRIC WITHIN .002 T.I.R. 7) REMOVE ALL BURRS	<b>SV Microwave, Inc.</b> 2400 Centrepark West Drive, Suite 100 West Palm Beach, FL 33409
<b>FINISH:</b> SEE NOTES	DECIMAL: X ±.030 .XX ±.010 .XXX ±.005	INTERPRET DIMENSIONS AND TOLERANCES PER ASME Y14.5M - 1994	<b>TITLE:</b> 40 GHZ BMZ FEMALE TO TFLEX-405 FOR M38999 SIZE 8 CAVITY
<b>SURFACE AREA:</b> N/A	<b>THIRD ANGLE PROJECTION</b>	<b>DRAWN:</b> JMC 10/24/07	<b>SIZE   CAGE CODE   DWG. NO.</b> <b>B   95077   SF9921-6000</b>
<b>PROPRIETARY</b> THE INFORMATION CONTAINED IN THIS DRAWING IS THE SOLE PROPERTY OF SV MICROWAVE, INC. ANY REPRODUCTION IN PART OR AS A WHOLE WITHOUT THE WRITTEN PERMISSION OF SV MICROWAVE, INC. IS PROHIBITED.		<b>CHECKED:</b> STW 10/24/07 <b>APPROVED:</b> STW 10/24/07	<b>SCALE:</b> 6:1 <b>SHEET 1 OF 1</b>