



Chipsmall Limited consists of a professional team with an average of over 10 year of expertise in the distribution of electronic components. Based in Hongkong, we have already established firm and mutual-benefit business relationships with customers from,Europe,America and south Asia,supplying obsolete and hard-to-find components to meet their specific needs.

With the principle of “Quality Parts,Customers Priority,Honest Operation,and Considerate Service”,our business mainly focus on the distribution of electronic components. Line cards we deal with include Microchip,ALPS,ROHM,Xilinx,Pulse,ON,Everlight and Freescale. Main products comprise IC,Modules,Potentiometer,IC Socket,Relay,Connector.Our parts cover such applications as commercial,industrial, and automotives areas.

We are looking forward to setting up business relationship with you and hope to provide you with the best service and solution. Let us make a better world for our industry!



Contact us

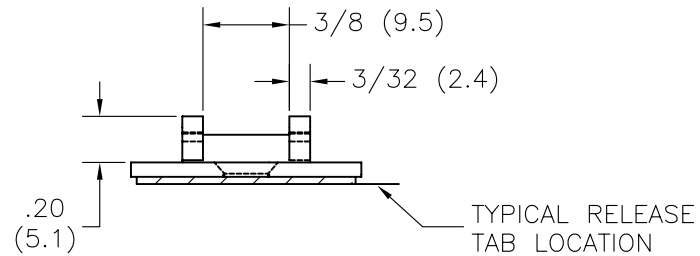
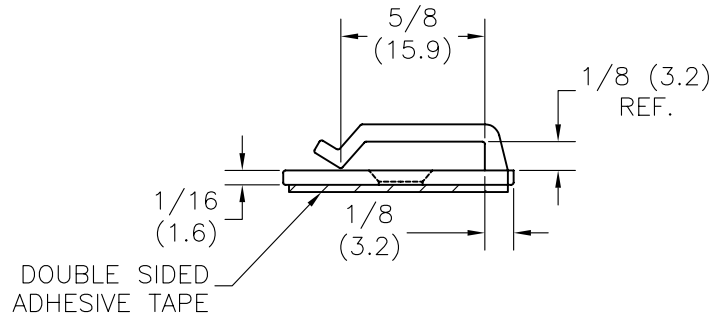
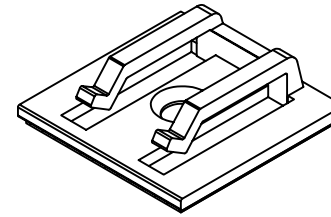
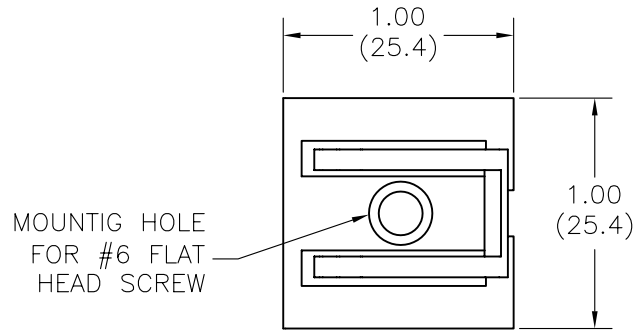
Tel: +86-755-8981 8866 Fax: +86-755-8427 6832

Email & Skype: info@chipsmall.com Web: www.chipsmall.com

Address: A1208, Overseas Decoration Building, #122 Zhenhua RD., Futian, Shenzhen, China



PART NO.	TAPE
SFCC-8-01	W/O ADHESIVE
SFCC-8-01A-RT	W/ADHESIVE



NOTES:

1. MATERIAL: NYLON 66 (RMS-01).
2. COLOR: NATURAL.
3. TAPE: DOUBLE SIDED ADHESIVE TAPE, 1/32 (0.8) THICK (RMS-15).

<table border="1"> <tr> <td>C</td> <td>CORRECTED METRIC DIMENSIONS</td> <td>SJ 03.06.02</td> </tr> <tr> <td>B</td> <td>COMPLETELY RE-DRAWN & CHANGED FILE NO.</td> <td>SM 07.17.01</td> </tr> <tr> <td>A</td> <td>1/2 DIM. ADDED</td> <td>J.L 9.24.97</td> </tr> <tr> <td>REV</td> <td>DESCRIPTION</td> <td>ENGR DATE</td> </tr> </table>			C	CORRECTED METRIC DIMENSIONS	SJ 03.06.02	B	COMPLETELY RE-DRAWN & CHANGED FILE NO.	SM 07.17.01	A	1/2 DIM. ADDED	J.L 9.24.97	REV	DESCRIPTION	ENGR DATE	<p>TOLERANCES UNLESS NOTED .XX=±.010 .XXX=±.005 FRAC=±1/64 ANG=±1°</p>				<p>FILE # SFCC-8 MAT'L: SEE NOTES RE: RICHCO, INC.</p>		<p>DWN: J.B DT: 09/25/95 APP: RICHCO INC. PO BOX 804238, CHICAGO, 60680 (773) 539-4060</p>		<p>DWG IN IN (MM) FINAL</p>		<p>PART # SEE TABLE</p>		<p>PRINT TYPE CA</p>	
C	CORRECTED METRIC DIMENSIONS	SJ 03.06.02																										
B	COMPLETELY RE-DRAWN & CHANGED FILE NO.	SM 07.17.01																										
A	1/2 DIM. ADDED	J.L 9.24.97																										
REV	DESCRIPTION	ENGR DATE																										
<p>TITLE: SPLIT FLAT CABLE CLIP</p>																												