



Chipsmall Limited consists of a professional team with an average of over 10 year of expertise in the distribution of electronic components. Based in Hongkong, we have already established firm and mutual-benefit business relationships with customers from,Europe,America and south Asia,supplying obsolete and hard-to-find components to meet their specific needs.

With the principle of "Quality Parts,Customers Priority,Honest Operation,and Considerate Service",our business mainly focus on the distribution of electronic components. Line cards we deal with include Microchip,ALPS,ROHM,Xilinx,Pulse,ON,Everlight and Freescale. Main products comprise IC,Modules,Potentiometer,IC Socket,Relay,Connector.Our parts cover such applications as commercial,industrial, and automotives areas.

We are looking forward to setting up business relationship with you and hope to provide you with the best service and solution. Let us make a better world for our industry!



Contact us

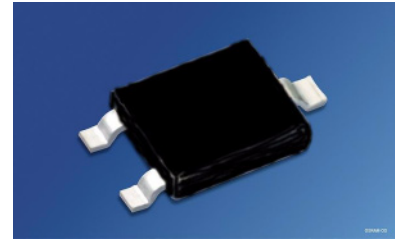
Tel: +86-755-8981 8866 Fax: +86-755-8427 6832

Email & Skype: info@chipsmall.com Web: www.chipsmall.com

Address: A1208, Overseas Decoration Building, #122 Zhenhua RD., Futian, Shenzhen, China



IR-Empfänger für Fernbedienungen
IR-Receiver for Remote Control Systems
Lead (Pb) Free Product - RoHS Compliant
SFH 5410



Beschreibung

Der SFH 5410 ist ein Infrarot-Empfänger für die Erkennung von Signalen aus Infrarot-Fernbedienungssystemen und bestehen aus Fotodiode, Vorverstärker, automatischer Verstärkungsregelung, Bandpaß-Filter und Demodulator. Das Gehäuse ist zur Unterdrückung des Tageslichteinflusses schwarz eingefärbt.

Wesentliche Merkmale

- IC mit monolithisch integrierter Fotodiode (Ein-Chip Lösung)
- Speziell geeignet für Anwendungen bei 940 nm
- Hohe Empfindlichkeit
- Verschiedene Trägerfrequenzen erhältlich
- TTL und CMOS kompatibel
- Ausgang: aktiv „Low“

Anwendungen

- Empfänger in Fernbedienungen für TV, Videorecorder, HiFi, Satellitenempfänger und CD-Spieler
- Um hohe Sicherheit bei der Datenübertragung zu erreichen, sind fehlerkorrigierende Codes einzusetzen

Description

The SFH 5410 is a IR receivers to detect light from infrared remote control systems. The IC includes photodiode, preamplifier, automatic gain control, bandpass and demodulator. The black-colored package is designed as daylight-cutoff filter.

Features

- IC with monolithic integrated photodiode (single chip solution)
- Especially suitable for applications of 940 nm
- High sensitivity
- Various carrier frequencies available
- TTL and CMOS compatibility
- Output: active Low

Applications

- Remote control module for TV sets, VCRs, hi-fi audio receivers, SAT receivers and compact disk players
- For safe data transmission error tolerant codes have to be used

Typ Type	Trägerfrequenz Carrier Frequency kHz	Bestellnr. Ordering Code
SFH 5410-36	36	Q65110A1727
SFH 5410-38	38	Q65110A3909

Grenzwerte ($T_A = 25\text{ °C}$)**Maximum Ratings**

Bezeichnung Parameter	Symbol Symbol	Wert Value	Einheit Unit
Lagertemperatur Storage temperature range	T_{stg}	- 40 ... + 100	°C
Betriebsspannung Supply voltage	V_{CC}	6.3	V
Ausgangsspannung Output voltage	V_{OUT}	6.3	V
Ausgangsstrom Output current	I_{OUT}	3	mA
Verlustleistung Total power dissipation, $T_A \leq 85\text{ °C}$	P_{tot}	50	mW

Empfohlener Arbeitsbereich**Recommended Operating Conditions**

Bezeichnung Parameter	Symbol Symbol	Wert Value			Einheit Unit
		min.	typ.	max.	
Betriebstemperatur Operating temperature	T_{op}	- 40	-	85	°C
Betriebsspannung Supply Voltage	V_{cc}	4.5	5.0	5.5	V

Kennwerte ($T_A = 25\text{ °C}$)

Characteristics

Bezeichnung Parameter	Symbol Symbol	Wert Value			Einheit Unit
		min.	typ.	max.	
Stromaufnahme, $V_{CC} = 5\text{ V}$, $E = 0$ Current consumption	I_{CC}	–	1.3	–	mA
Wellenlänge der max. Fotoempfindlichkeit Wavelength of max. sensitivity	$\lambda_{s\text{ max}}$	–	940	–	nm
Spektraler Bereich der Fotoempfindlichkeit ¹⁾ Spectral range of sensitivity	$\lambda_{10\%}$	830	–	1100	nm
Ausgangsspannung Output voltage					V
Output "High" - ($I_{out} = 10\text{ }\mu\text{A}$) Output "Low" - ($I_{out} = 500\text{ }\mu\text{A}$)	$V_{OUT\text{ high}}$ $V_{OUT\text{ low}}$	$V_{CC}-0.5$ –	– –	– 0.5	
Trägerfrequenz Carrier frequency	f_0	–		–	kHz
SFH 5410-36 SFH 5410-38			36 38		
Min. Bestrahlungsstärke (Testsignal, s. Fig. 3) Min. Threshold irradiance (test signal, see Fig. 3) $f = f_0$, $t_{p,I} = 600\text{ }\mu\text{s}$	$E_{e\text{ min}}$	–	1.4	–	mW/m^2
Min. Eingangspulsbreite „ON“ (Testsignal, s. Fig. 3) ²⁾ Min. Input pulse width "ON" (test signal, see Fig. 3) ²⁾	$t_{p,I}$	$6/f_0$	–	–	μs
Ausgangspulsbreite „ON“ (Testsignal, s. Fig. 3) Output pulse width "ON" (test signal, see Fig. 3 , $E_e = 4\text{ mW}/\text{m}^2$)	$t_{p,O}$	$t_{p,I}$ $- 6/f_0$	–	$t_{p,I}$ $+ 6/f_0$	μs
50%-Filterbandbreite, $f = f_0$, $E_V = 0$, $V_{CC} = 5\text{ V}$ 50%-Filter bandwidth	$\Delta f_{50\%}$	3	–	6	kHz

¹⁾ Außerhalb des spezifizierten Bereiches der Fotoempfindlichkeit besitzt der SFH 5410 eine Restempfindlichkeit. D.h. Lichtquellen außerhalb des spezifizierten Wellenlängenbereiches des Sensors können den Baustein beeinflussen und zum Durchschalten führen.

²⁾ Beyond the specified spectral range of sensitivity the SFH 5410 has a strongly reduced, but non-zero sensitivity. Light sources with wavelengths outside the spectral range may influence the device and result in switching.

- 2) Die volle Empfindlichkeit wird bei einer Burstlänge von mindestens 6 Pulsen erreicht. Die Reichweite bei Verwendung eines typischen Senders (SFH 4510/SFH 4515, $I_F = 500 \text{ mA}$) beträgt etwa 15 m.
- 2) A minimum burst length of 6 pulses is necessary for full sensitivity. The transmission distance with a typical transmitter (SFH 4510/SFH 4515, $I_F = 500 \text{ mA}$) is about 15 m.

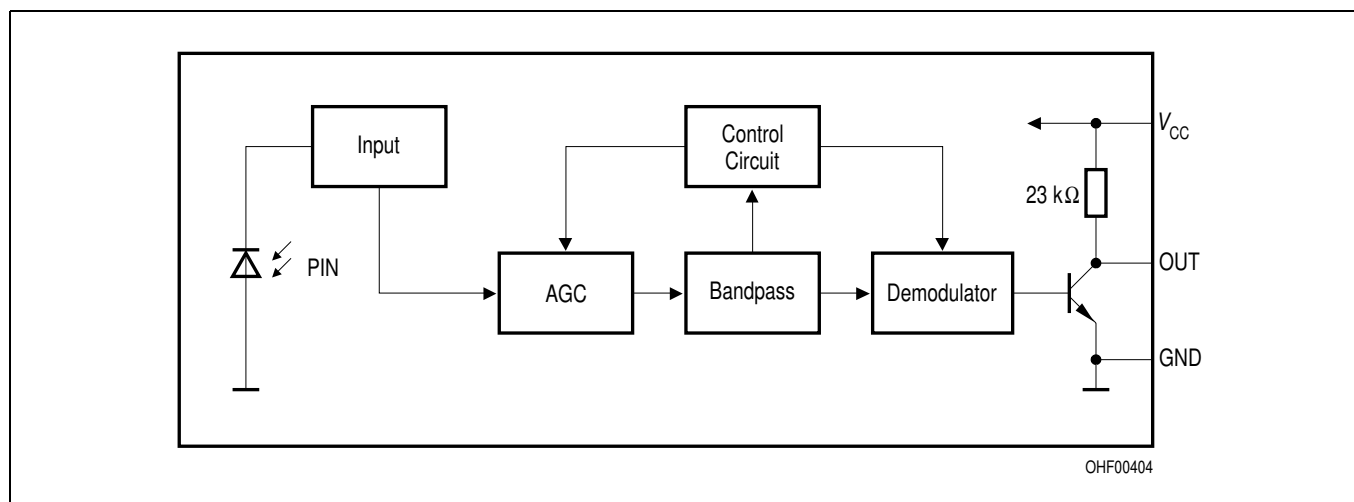


Figure 1 **Blockschaltbild / Block Diagram**

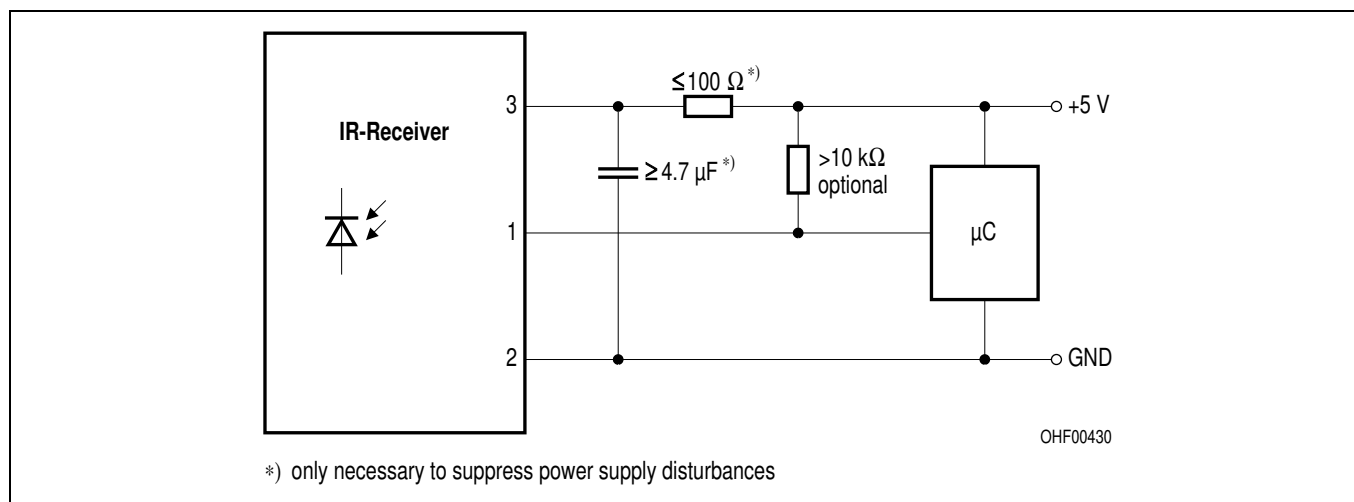


Figure 2 **Externe Beschaltung / External Circuit**

Anschlußbelegung Pin configuration

Pin Pin	Beschreibung Description
1	OUT
2	GND
3	V _{CC}

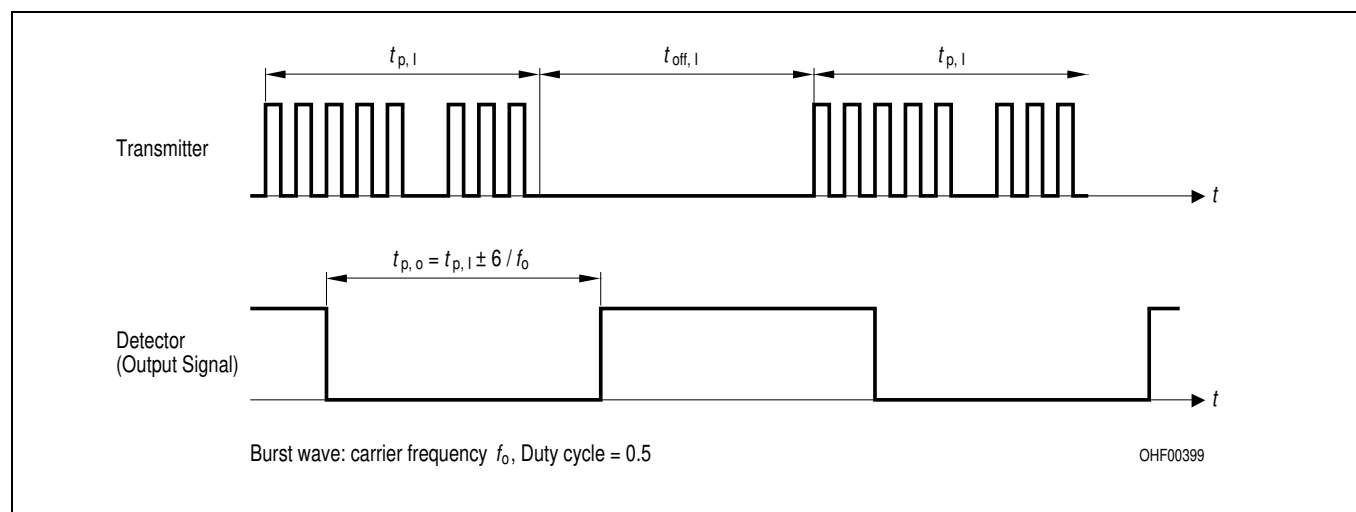


Figure 3 **Optisches Testsignal / Optical Test Signal**

Anmerkungen / Notes

- Abhängig von den Umgebungsbedingungen, z.B in Form von externen Lichtquellen, elektro-magnetischer Strahlung und Rauschen der Versorgungsspannung, kann es zum sporadischen Durchschalten des Ausgang kommen, selbst wenn kein optisches Signal angelegt wird! Um Fehlinterpretationen der übermittelten Daten zu verhindern, sind fehlerkorrigierende Codes einzusetzen.

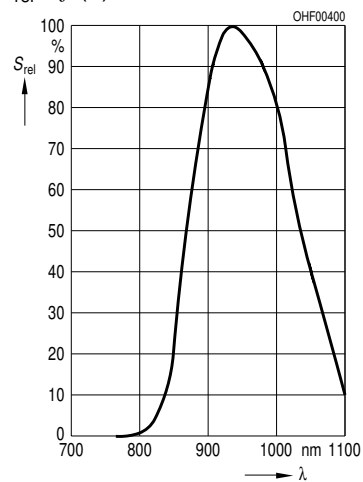
- Environmental conditions, e.g. external light sources, electromagnetic interference and supply voltage noise, may cause sporadic switching at the output, even without an optical input signal! To avoid misinterpretation of the transmitted data, error tolerant codes must be used.

Für weitere Informationen lesen Sie bitte die Application Note des SFH 5110:
For further information please read the application note of the SFH 5110:

[General Application Note for SFH 511X](#)

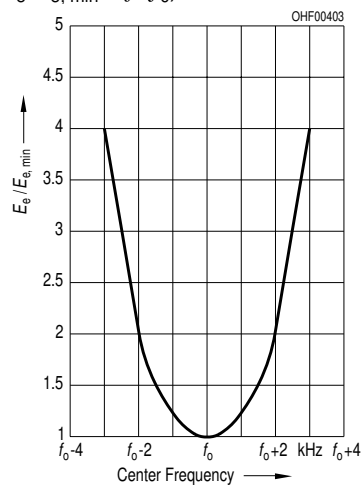
Relative Spectral Sensitivity

$$S_{rel} = f(\lambda)$$



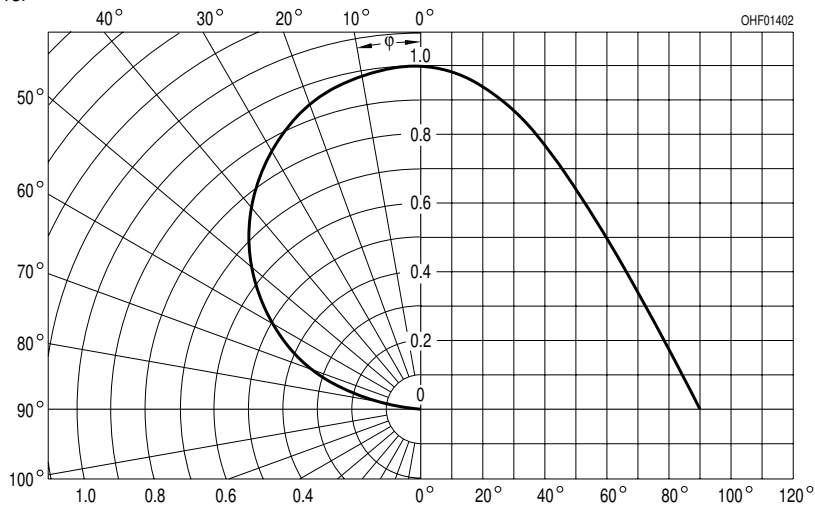
Relative Sensitivity

$$E_e/E_{e, min} = f(f_0)$$

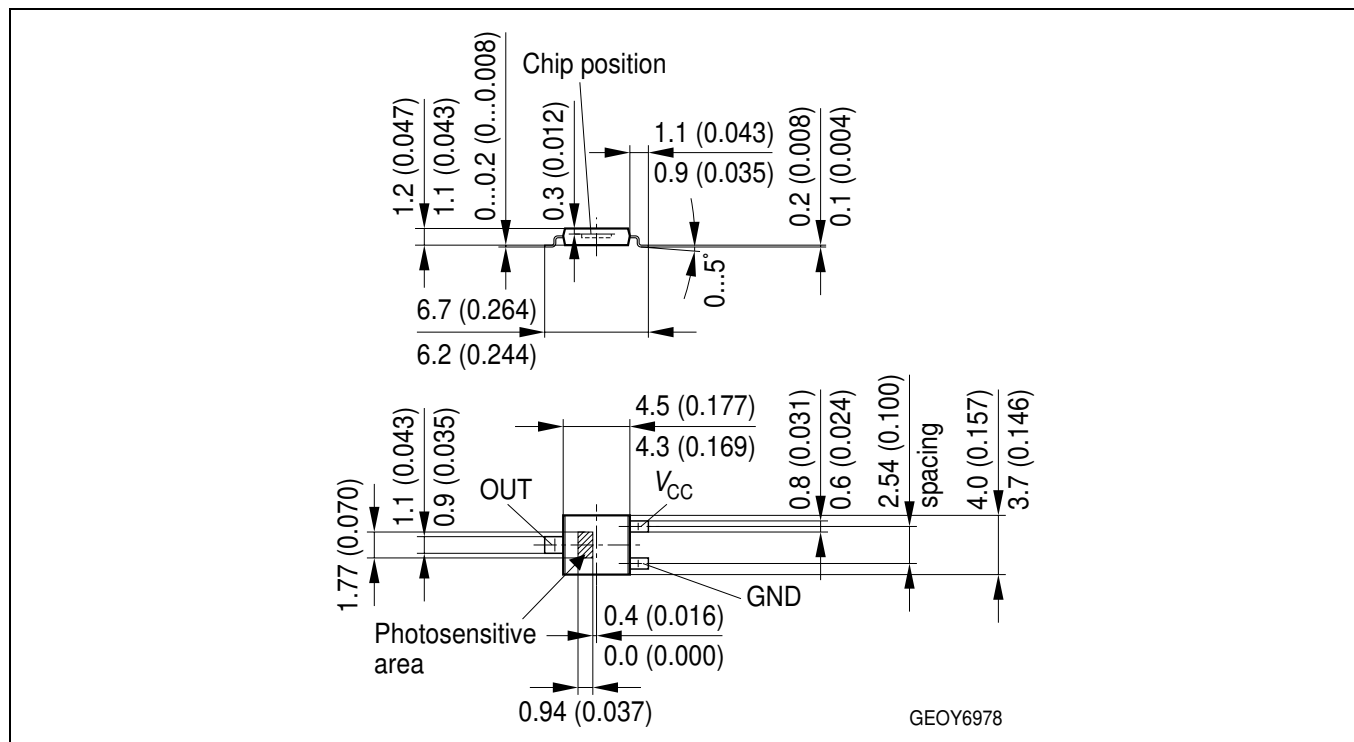


Directional Characteristics

$$S_{rel} = f(\varphi)$$

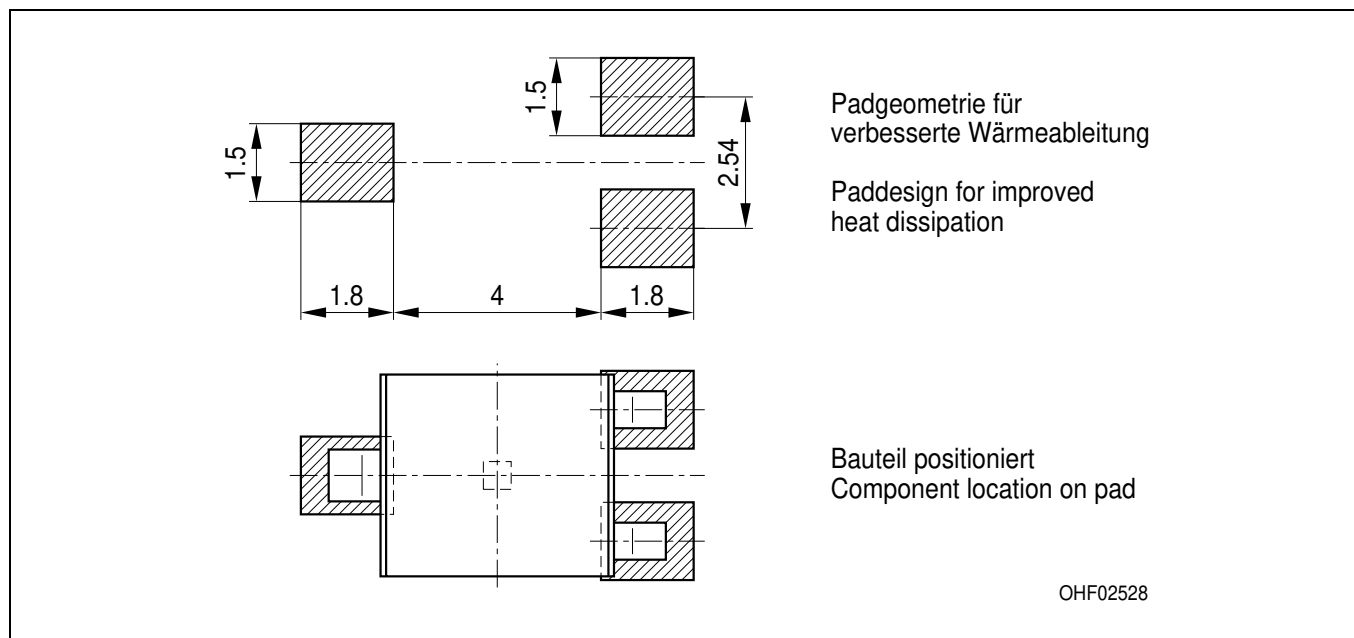


**Maßzeichnung
Package Outlines**



Maße in mm (inch) / Dimensions in mm (inch).

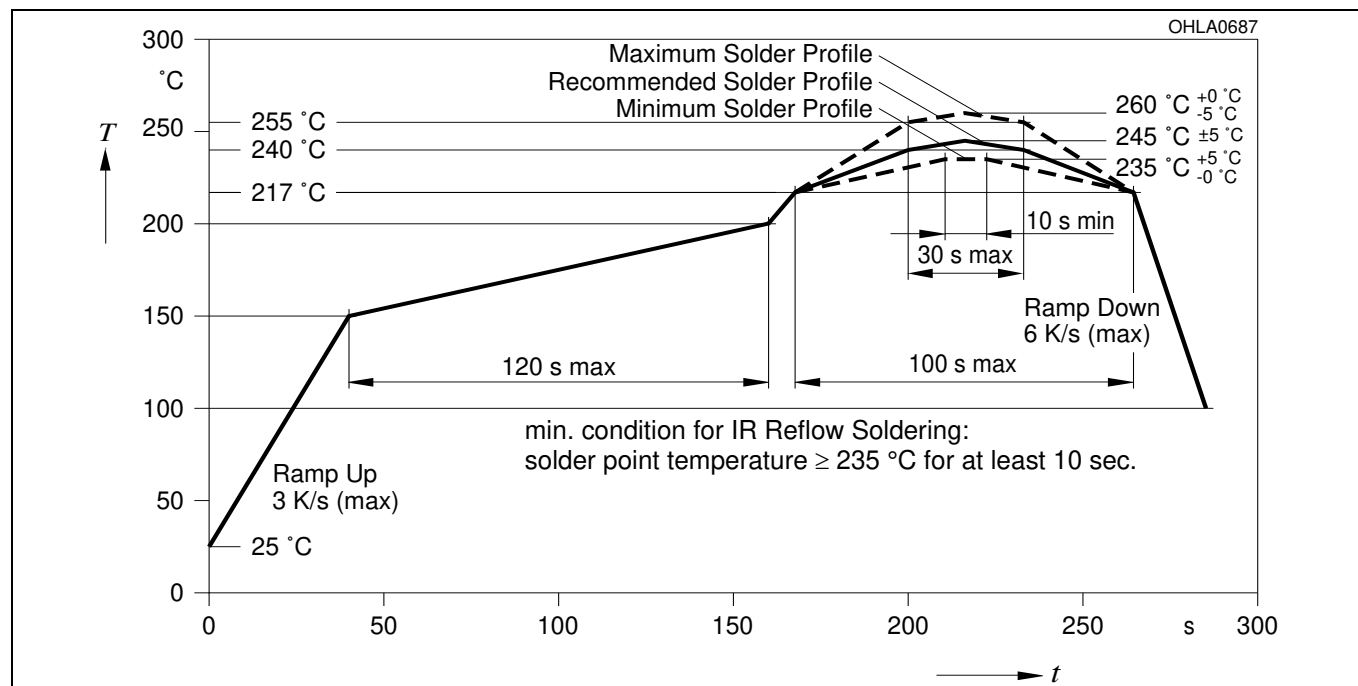
**Empfohlenes Lötpad-Design
Recommended Solderpad Design**



Maße in mm / Dimensions in mm.

Lötbedingungen
Soldering Conditions
Reflow Lötprofil für bleifreies Löten
Reflow Soldering Profile for lead free soldering

Vorbehandlung nach JEDEC Level 4
 Preconditioning acc. to JEDEC Level 4
 (nach J-STD-020C)
 (acc. to J-STD-020C)



Published by
OSRAM Opto Semiconductors GmbH
 Wernerwerkstrasse 2, D-93049 Regensburg
www.osram-os.com

© All Rights Reserved.

The information describes the type of component and shall not be considered as assured characteristics. Terms of delivery and rights to change design reserved. Due to technical requirements components may contain dangerous substances. For information on the types in question please contact our Sales Organization.

Packing

Please use the recycling operators known to you. We can also help you – get in touch with your nearest sales office. By agreement we will take packing material back, if it is sorted. You must bear the costs of transport. For packing material that is returned to us unsorted or which we are not obliged to accept, we shall have to invoice you for any costs incurred.

Components used in life-support devices or systems must be expressly authorized for such purpose! Critical components¹, may only be used in life-support devices or systems² with the express written approval of OSRAM OS.

¹ A critical component is a component used in a life-support device or system whose failure can reasonably be expected to cause the failure of that life-support device or system, or to affect its safety or effectiveness of that device or system.

² Life support devices or systems are intended (a) to be implanted in the human body, or (b) to support and/or maintain and sustain human life. If they fail, it is reasonable to assume that the health of the user may be endangered.

EU RoHS and China RoHS compliant product



此产品符合欧盟 RoHS 指令的要求；

按照中国的相关法规和标准，不含有毒有害物质或元素。