



Chipsmall Limited consists of a professional team with an average of over 10 year of expertise in the distribution of electronic components. Based in Hongkong, we have already established firm and mutual-benefit business relationships with customers from,Europe,America and south Asia,supplying obsolete and hard-to-find components to meet their specific needs.

With the principle of “Quality Parts,Customers Priority,Honest Operation,and Considerate Service”,our business mainly focus on the distribution of electronic components. Line cards we deal with include Microchip,ALPS,ROHM,Xilinx,Pulse,ON,Everlight and Freescale. Main products comprise IC,Modules,Potentiometer,IC Socket,Relay,Connector.Our parts cover such applications as commercial,industrial, and automotives areas.

We are looking forward to setting up business relationship with you and hope to provide you with the best service and solution. Let us make a better world for our industry!



Contact us

Tel: +86-755-8981 8866 Fax: +86-755-8427 6832

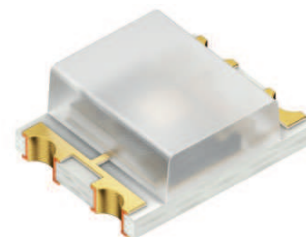
Email & Skype: info@chipsmall.com Web: www.chipsmall.com

Address: A1208, Overseas Decoration Building, #122 Zhenhua RD., Futian, Shenzhen, China



High Accuracy Ambient Light Sensor Version 1.7

SFH 5711



Features:

- Opto hybrid with logarithmic current output
- Perfect match to Human Eye Sensitivity (V_λ)
- Low temperature coefficient of spectral sensitivity
- High accuracy over wide illumination range
- The product qualification test plan is based on the guidelines of AEC-Q101-REV-C, Stress Test Qualification for Automotive Grade Discrete Semiconductors.

Applications

- Automotive applications
- Sunlight sensor / head lamp control
- Control of display backlighting
- Mobile devices

Ordering Information

Type:	Output current I_{OUT} [μA] $E_V = 1000$ lx (white LED LW 541C)	Ordering Code
SFH 5711-1/2	25 - 30	on request
SFH 5711-2/3	27 - 32	Q65110A4513
SFH 5711-3/4	29 - 34	on request

Note: Only one bin within one packing unit, see characteristics.

Maximum Ratings ($T_A = 25\text{ °C}$)

Parameter	Symbol	Values	Unit
Operating and storage temperature range ^{1) page 13}	$T_{op}; T_{stg}$	-40 ... 100	°C
Supply voltage	V_{CC}	6	V
Output voltage	V_{OUT}	$< V_{CC}$	V
Electrostatic discharge (acc. to ANSI/ ESDA/ JEDEC JS-001 - HBM)	V_{ESD}	2000	V

Operating Conditions

Parameter	Symbol	Values			Unit
		min	typ	max	
Supply voltage	V_{CC}	2.3		5.5	V
Illuminance ($T_A = -30\text{ °C} \dots 70\text{ °C}$)	E_V		3 ... 80 k		lx
Illuminance ($T_A = -40\text{ °C} \dots 100\text{ °C}$)	E_V		10... 80 k		lx

Characteristics ($T_A = 25\text{ °C}$)

Parameter		Symbol	Values	Unit
Current consumption	(typ)	I_{CC}	0.41	mA
	(max)	I_{CC}	0.5	mA
Current consumption ($E_V = 0, V_{CC} = 5\text{ V}$)	(typ)	I_{CC}	0.42	mA
Current consumption	(typ)	I_{CC}	0.46	mA
	(max)	I_{CC}	0.55	mA
Current consumption ($E_V = 1000\text{ lx}, V_{CC} = 5\text{ V}$)	(typ)	I_{CC}	0.47	mA
Wavelength of max. sensitivity	(min)	$\lambda_{S\text{ max}}$	540	nm
	(typ)	$\lambda_{S\text{ max}}$	555	nm
	(max)	$\lambda_{S\text{ max}}$	570	nm
Spectral range of sensitivity	(min)	$\lambda_{10\%}$	475	nm
	(max)	$\lambda_{10\%}$	650	nm
Dimensions of radiant sensitive area	(typ)	L x W	0.4 x 0.4	mm x mm
Output capacitance	(typ)	C_{OUT}	3	pF
Transfer function (Fig.: Circuitry)	(min)	G	9.5	$\mu\text{A} / \text{dec}$
	(typ)	G	10	$\mu\text{A} / \text{dec}$
	(max)	G	10.5	$\mu\text{A} / \text{dec}$

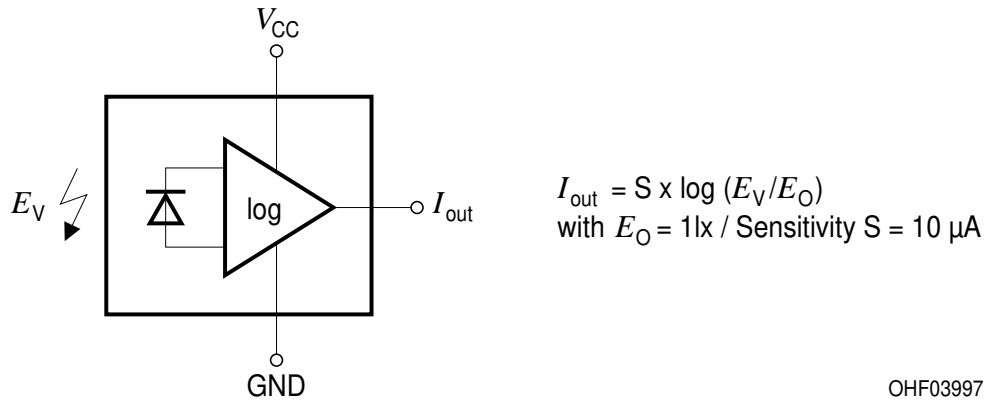
Parameter		Symbol	Values	Unit
Deviation of output characteristics from logarithmic function (Fig.: Circuitry)	(min)	L	-3	%
	(max)	L	3	%
Output voltage	(typ)	$V_{OUT\ high}$	VCC - 0.5	V
Rise time ($R_L = 25\ k\Omega$, $C = 1\ nF$, Fig.: Definition of Response Time, $E_V = 100 \rightarrow 1000\ lx$)	(typ)	t_r	30	μs
Fall time ($R_L = 25\ k\Omega$, $C = 1\ nF$, Fig.: Definition of Response Time, $E_V = 1000 \rightarrow 100\ lx$)	(typ)	t_f	100	μs
Power on time ($E_V = 1000\ lx$, $V_{CC} = 0\ V \rightarrow V_{CC}$)	(typ)	t_{ON}	0.1	ms
	(max)	t_{ON}	1.2	ms
Output accuracy over temperature range ($E_V = 1000\ lx$, $T_A = -40\ ^\circ C \dots 100\ ^\circ C$)	(min)		-2	μA
	(typ)		± 1	
	(max)		2	
Output accuracy over temperature range ($E_V = 1000\ lx$, $T_A = -30\ ^\circ C \dots 70\ ^\circ C$)	(min)		-1.5	μA
	(typ)		± 0.6	
	(max)		1.5	
Output accuracy over temperature range ($E_V = 1000\ lx$, $T_A = 0\ ^\circ C \dots 50\ ^\circ C$)	(min)		-0.7	μA
	(typ)		± 0.2	
	(max)		0.7	
Output dark current ($E_V = 0\ lx$)	(typ)	I_{OUT_dark}	0.1	nA
	(max)	I_{OUT_dark}	100	nA

Grouping ($T_A = 25\ ^\circ C$)

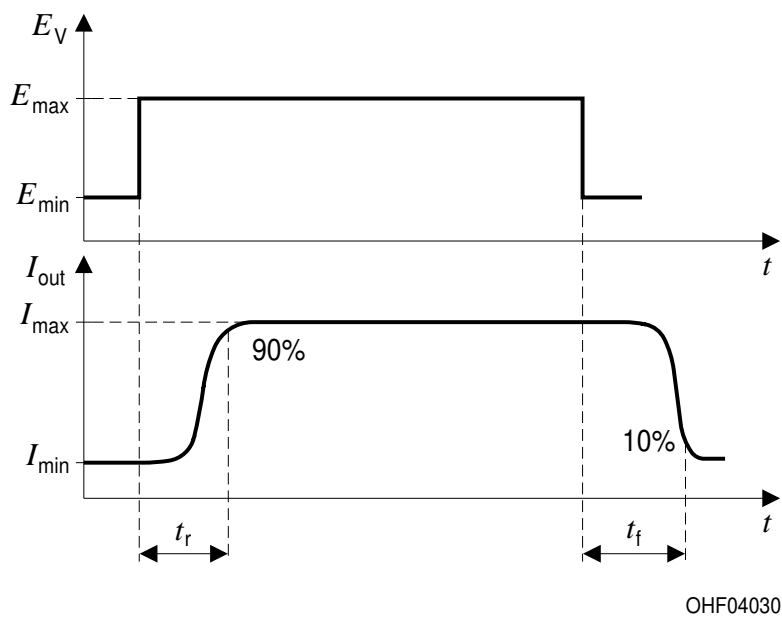
Group	Output current
	$E_V = 1000\ lx$ (white LED LW 541C)
	I_{OUT}
SFH 5711-1	25 ... 28
SFH 5711-2	27 ... 30
SFH 5711-3	29 ... 32
SFH 5711-4	31 ... 34

Note: 3 μA bin width is equivalent to a spread of 1:2 of the irradiance.

Circuitry

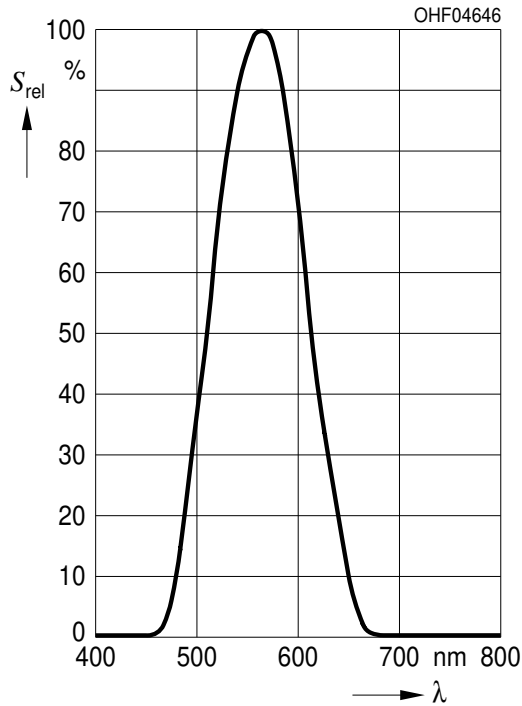


Switching Time Definitions



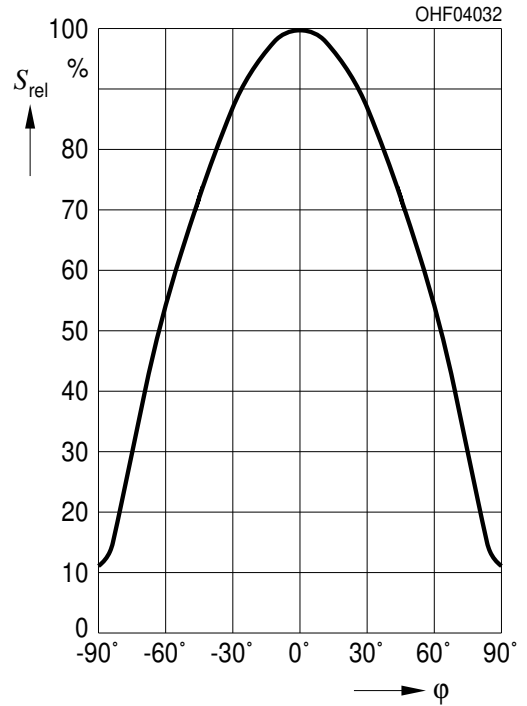
Relative Spectral Sensitivity ^{2) page 13}

Photodiode $S_{rel} = f(\lambda)$



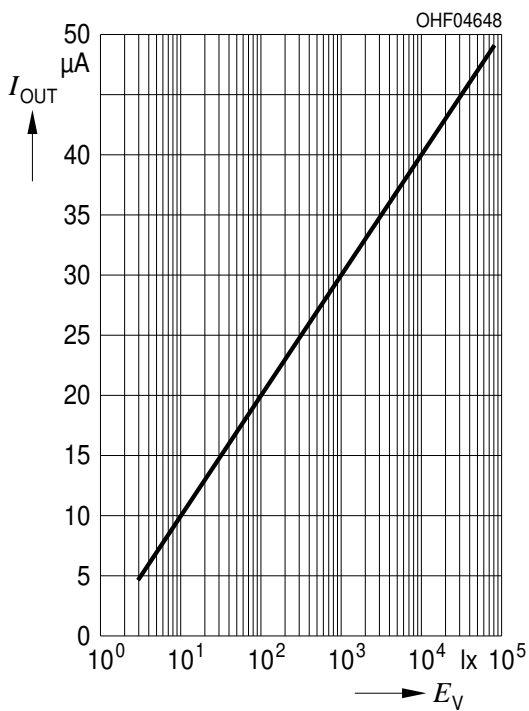
Directional Characteristics ^{2) page 13}

Photodiode $S_{rel} = f(\phi)$



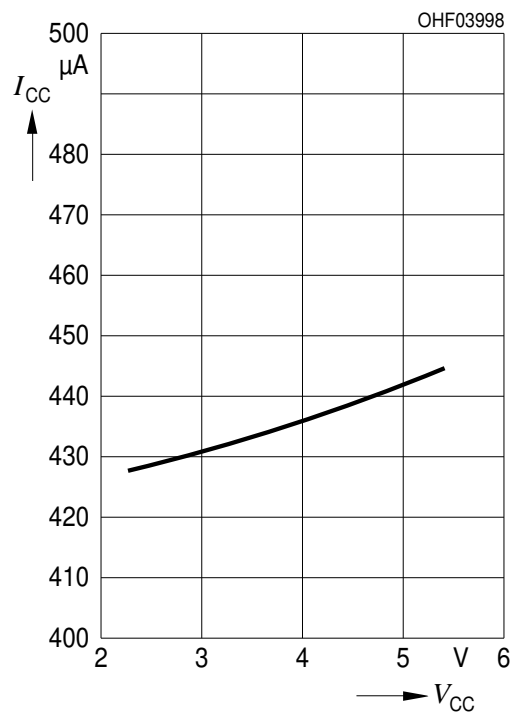
Output Current ^{2) page 13}

$I_{OUT} = f(E_V)$



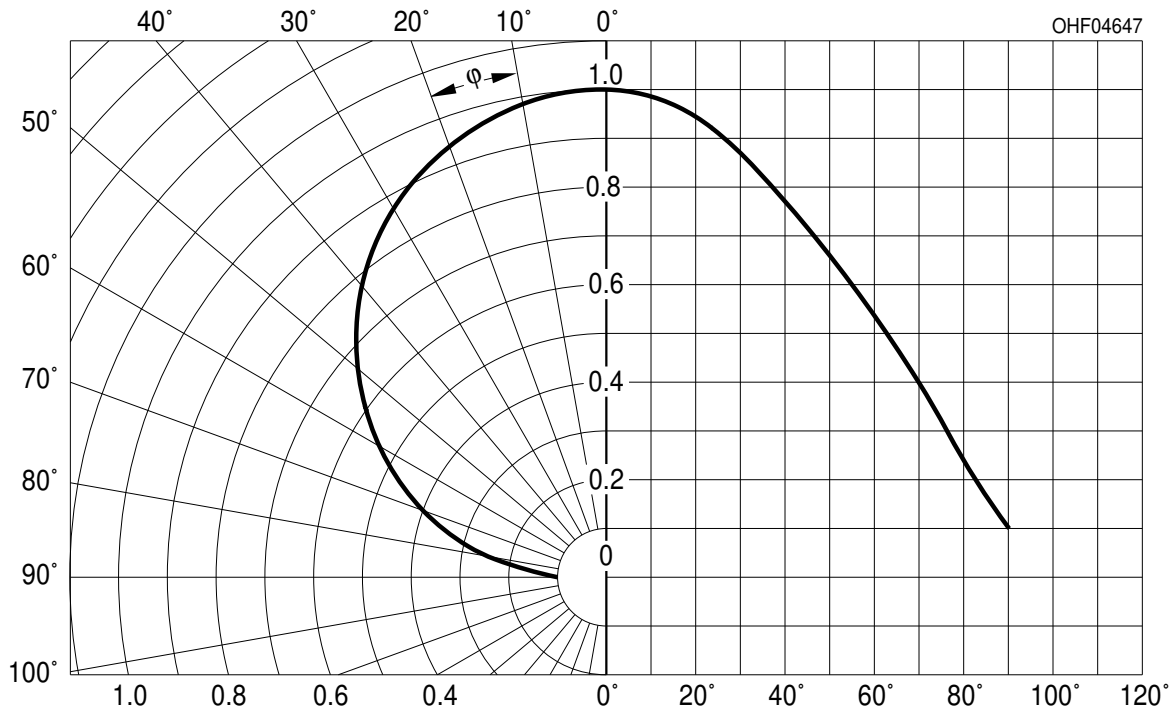
Current Consumption ^{2) page 13}

$I_{CC} = f(V_{CC})$

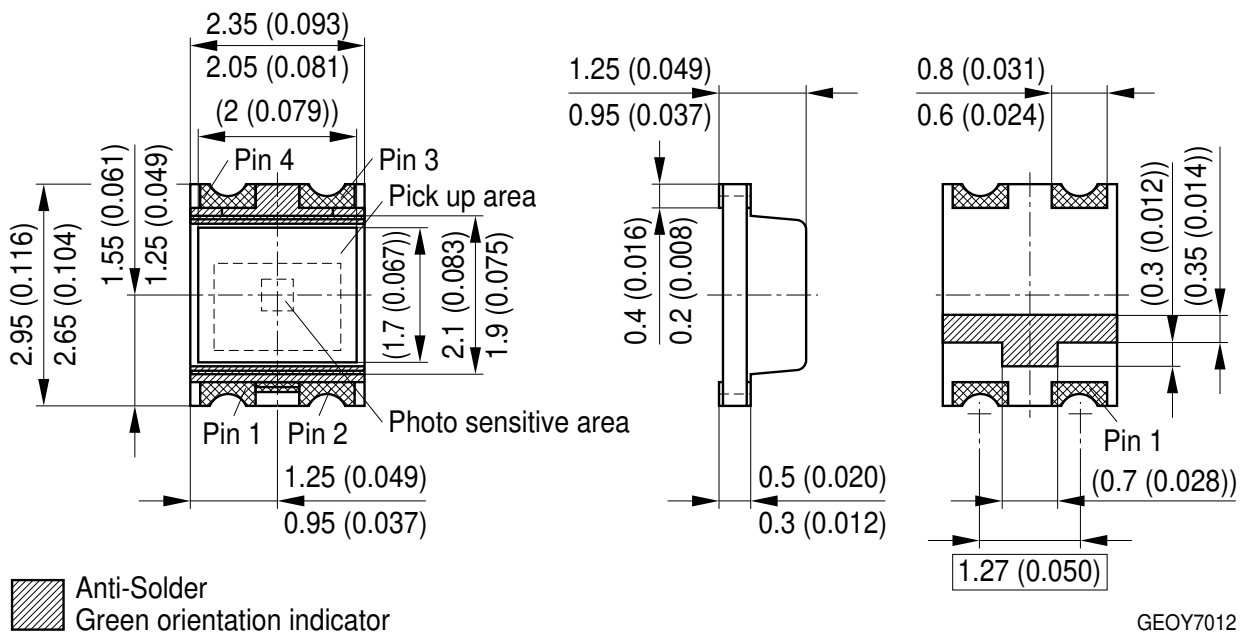


Directional Characteristics (Horizontal) ^{2) page 13}

Photodiode $S_{rel} = f(\phi)$



Package Outline



GEOY7012

Dimensions in mm (inch).

Pinning

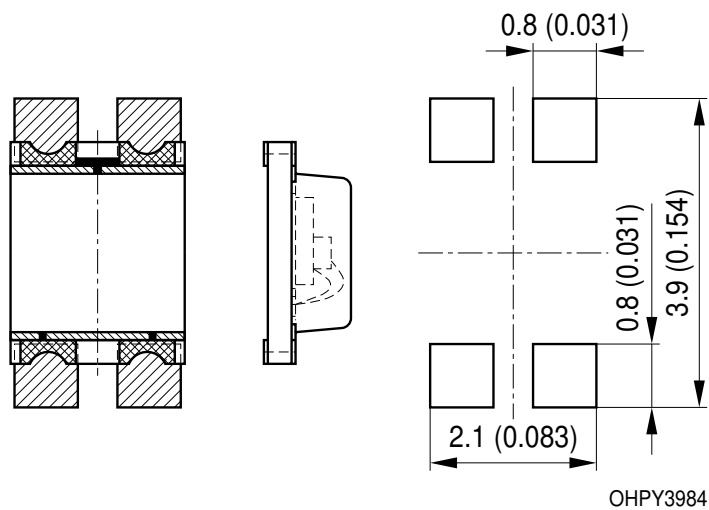
Pin	Description
1	GND
2	GND
3	V _{CC}
4	I _{OUT}

Package

Chiplid

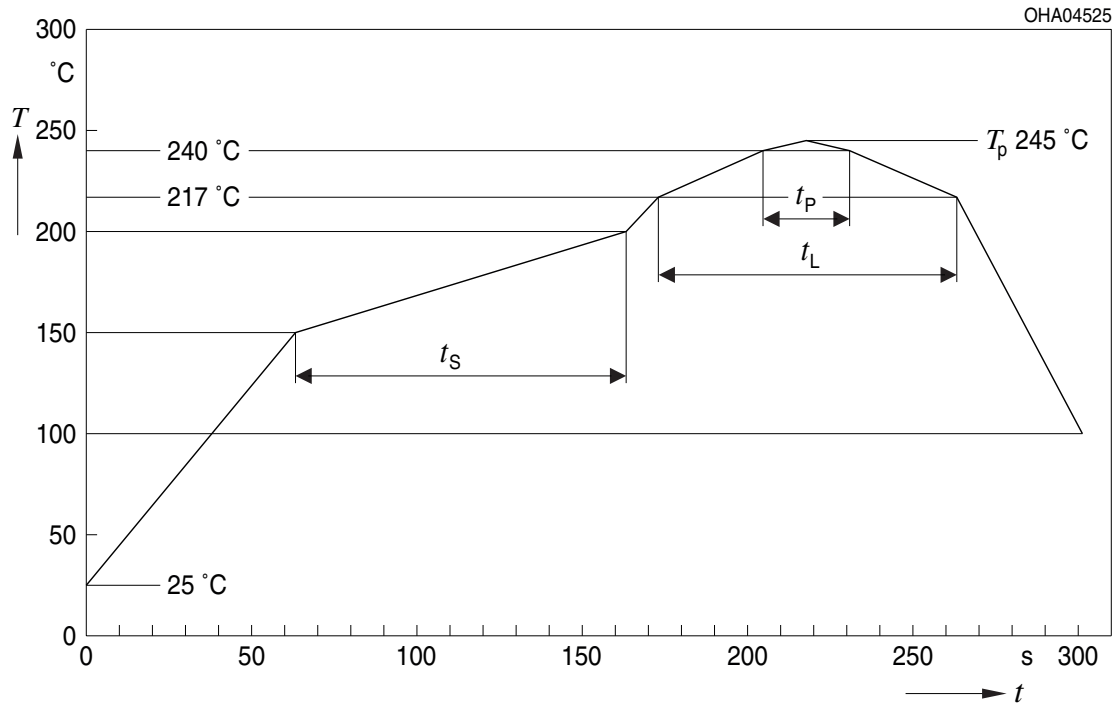
Approximate Weight:

10 mg

Recommended Solder Pad*Dimensions in mm (inch).*

Reflow Soldering Profile

Product complies to MSL Level 3 or 4 acc. to JEDEC J-STD-020D.01



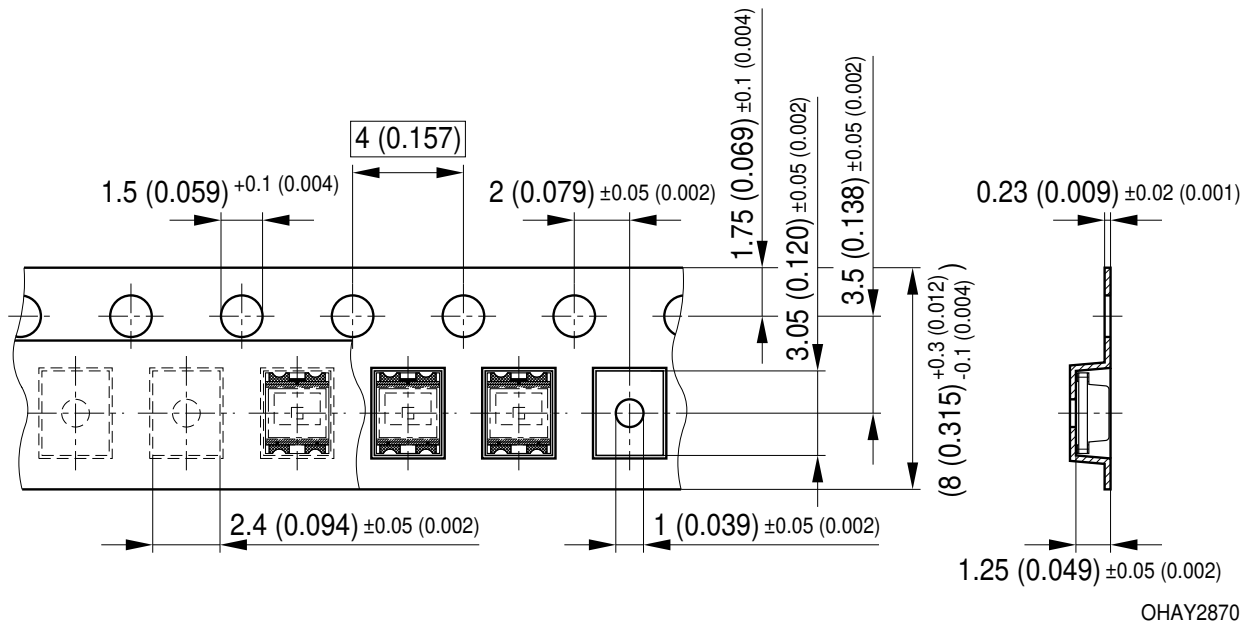
OHA04612

Profile Feature Profil-Charakteristik	Symbol Symbol	Pb-Free (SnAgCu) Assembly			Unit Einheit
		Minimum	Recommendation	Maximum	
Ramp-up rate to preheat*) 25 °C to 150 °C			2	3	K/s
Time t_S T_{Smin} to T_{Smax}	t_S	60	100	120	s
Ramp-up rate to peak*) T_{Smax} to T_P			2	3	K/s
Liquidus temperature	T_L	217			°C
Time above liquidus temperature	t_L		80	100	s
Peak temperature	T_P		245	260	°C
Time within 5 °C of the specified peak temperature $T_P - 5$ K	t_P	10	20	30	s
Ramp-down rate* T_P to 100 °C			3	6	K/s
Time 25 °C to T_P				480	s

All temperatures refer to the center of the package, measured on the top of the component

* slope calculation DT/Dt : Dt max. 5 s; fulfillment for the whole T-range

Taping

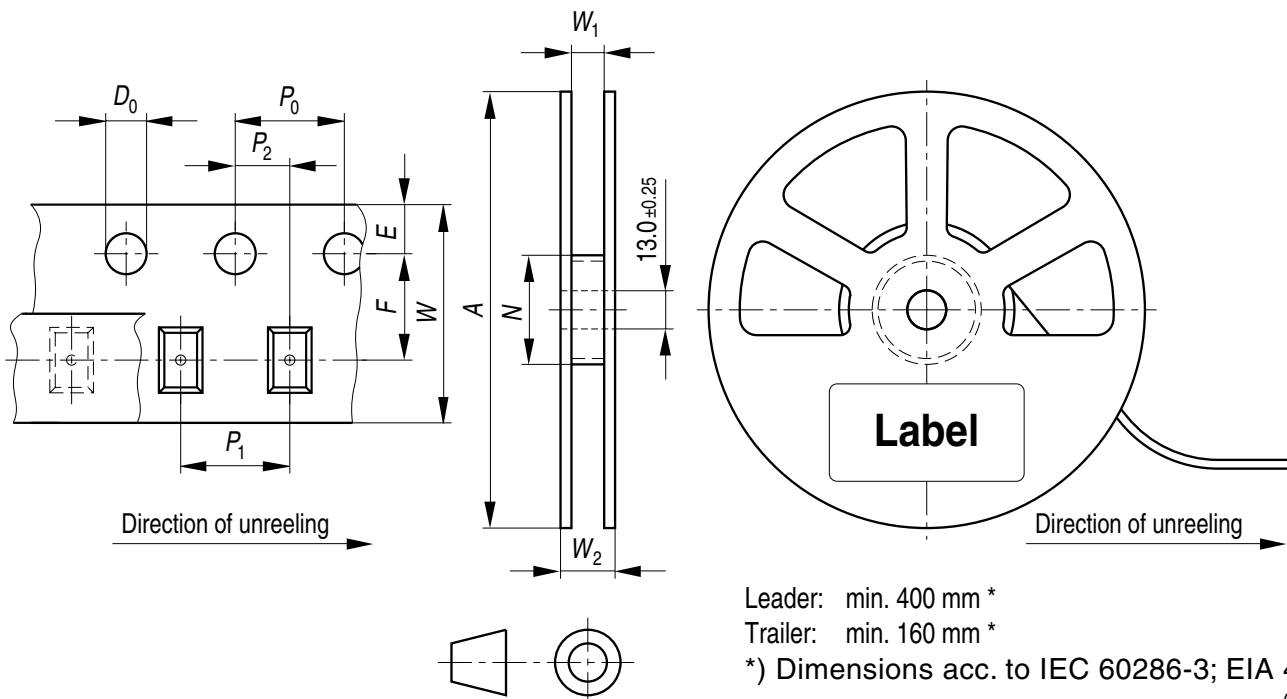


OHAY2870

Dimensions in mm (inch).

Tape and Reel

8 mm tape with 2000 pcs. on Ø 180 mm reel



Leader: min. 400 mm *

Trailer: min. 160 mm *

*) Dimensions acc. to IEC 60286-3; EIA 481-D

OHAY0324

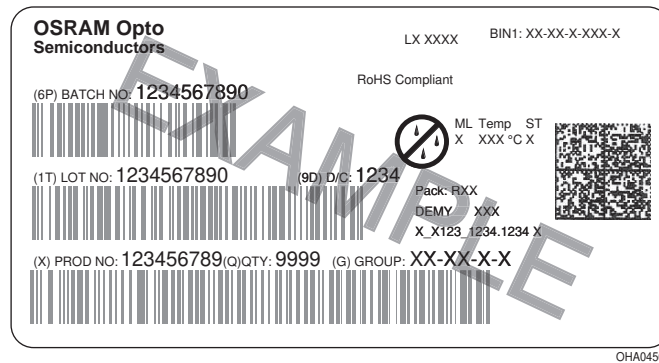
Tape dimensions [mm]

W	P ₀	P ₁	P ₂	D ₀	E	F
8 + 0.3 / -0.1	4 ± 0.1	2 ± 0.05 or 4 ± 0.1	2 ± 0.05	1.5 ± 0.1	1.75 ± 0.1	3.5 ± 0.05

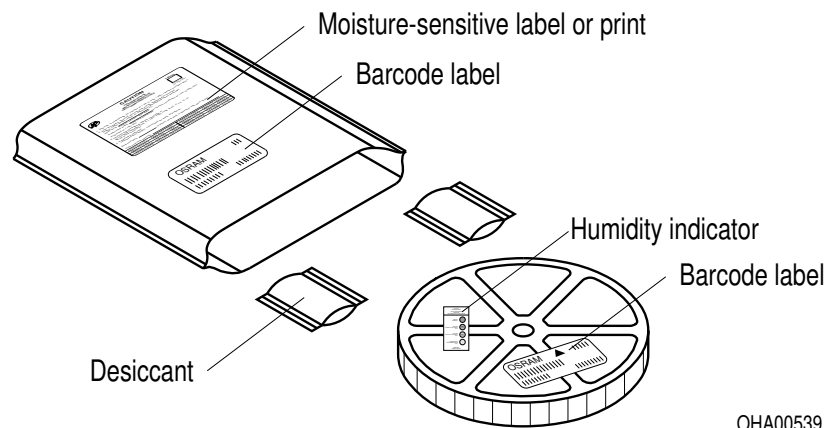
Reel dimensions [mm]

A	W	N _{min}	W ₁	W _{2max}
180	8	60	8.4 + 2	14.4

Barcode-Product-Label (BPL)



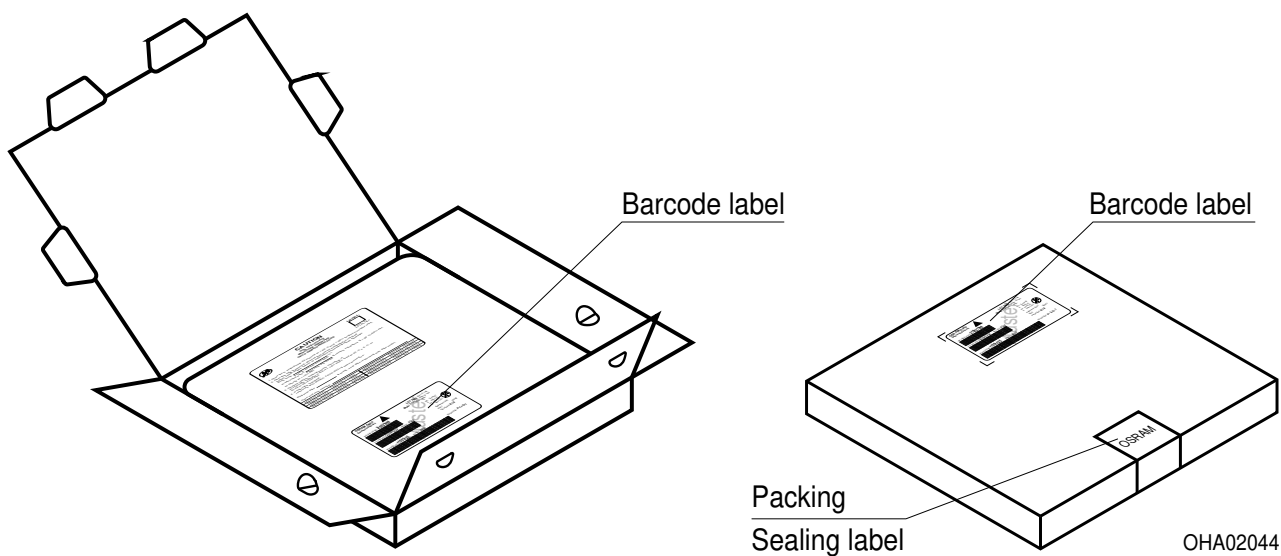
Dry Packing Process and Materials



Note:

Moisture-sensitive product is packed in a dry bag containing desiccant and a humidity card. Regarding dry pack you will find further information in the internet. Here you will also find the normative references like JEDEC.

Transportation Packing and Materials



Dimensions of transportation box in mm

Width	Length	Height
200 ± 5	195 ± 5	30 ± 5

Disclaimer

Language english will prevail in case of any discrepancies or deviations between the two language wordings.

Attention please!

The information describes the type of component and shall not be considered as assured characteristics.

Terms of delivery and rights to change design reserved. Due to technical requirements components may contain dangerous substances.

For information on the types in question please contact our Sales Organization.

If printed or downloaded, please find the latest version in the Internet.

Packing

Please use the recycling operators known to you. We can also help you – get in touch with your nearest sales office.

By agreement we will take packing material back, if it is sorted. You must bear the costs of transport. For packing material that is returned to us unsorted or which we are not obliged to accept, we shall have to invoice you for any costs incurred.

Components used in life-support devices or systems must be expressly authorized for such purpose!

Critical components* may only be used in life-support devices** or systems with the express written approval of OSRAM OS.

*) A critical component is a component used in a life-support device or system whose failure can reasonably be expected to cause the failure of that life-support device or system, or to affect its safety or the effectiveness of that device or system.

**) Life support devices or systems are intended (a) to be implanted in the human body, or (b) to support and/or maintain and sustain human life. If they fail, it is reasonable to assume that the health and the life of the user may be endangered.

Glossary

- 1) **Operating and storage temperature range:** Maximum operating and storage temperature of 100 °C is only valid with storage conditions according to JEDEC Moisture Sensitivity Level (MSL) 4. With storage conditions according to JEDEC MSL 3, the max. operating and storage temperature is 85 °C.
- 2) **Typical Values:** Due to the special conditions of the manufacturing processes of LED, the typical data or calculated correlations of technical parameters can only reflect statistical figures. These do not necessarily correspond to the actual parameters of each single product, which could differ from the typical data and calculated correlations or the typical characteristic line. If requested, e.g. because of technical improvements, these typ. data will be changed without any further notice.

Published by OSRAM Opto Semiconductors GmbH
Leibnizstraße 4, D-93055 Regensburg
www.osram-os.com © All Rights Reserved.

EU RoHS and China RoHS compliant product



此产品符合欧盟 RoHS 指令的要求；
按照中国的相关法规和标准，不含有毒有害物质或元素。