



Chipsmall Limited consists of a professional team with an average of over 10 year of expertise in the distribution of electronic components. Based in Hongkong, we have already established firm and mutual-benefit business relationships with customers from,Europe,America and south Asia,supplying obsolete and hard-to-find components to meet their specific needs.

With the principle of “Quality Parts,Customers Priority,Honest Operation,and Considerate Service”,our business mainly focus on the distribution of electronic components. Line cards we deal with include Microchip,ALPS,ROHM,Xilinx,Pulse,ON,Everlight and Freescale. Main products comprise IC,Modules,Potentiometer,IC Socket,Relay,Connector.Our parts cover such applications as commercial,industrial, and automotives areas.

We are looking forward to setting up business relationship with you and hope to provide you with the best service and solution. Let us make a better world for our industry!



Contact us

Tel: +86-755-8981 8866 Fax: +86-755-8427 6832

Email & Skype: info@chipsmall.com Web: www.chipsmall.com

Address: A1208, Overseas Decoration Building, #122 Zhenhua RD., Futian, Shenzhen, China



Infrared Emitter (850 nm) and green GaP-LED (570 nm)

Version 1.2

SFH 7251



Features:

- SMT package with IR emitter (850 nm) and green emitter (570 nm)
- Suitable for SMT assembly
- Available on tape and reel
- Emitter and detector can be controlled separately

Applications

- Data transmission
- Remote control
- Infrared interface

Notes

Depending on the mode of operation, these devices emit highly concentrated non visible infrared light which can be hazardous to the human eye. Products which incorporate these devices have to follow the safety precautions given in IEC 60825-1 and IEC 62471.

Ordering Information

Type:	Package:	Ordering Code
SFH 7251	SMT Multi TOPLED®	Q65111A5040

Maximum Ratings

Parameter	Symbol	Values	Unit
Operating and storage temperature range	$T_{op}; T_{stg}$	-40 ... 100	°C
Reverse voltage	V_R	5	V
Thermal resistance junction - ambient, mounted on PC-board (FR4) ^{1) page 14}	R_{thJA}	700	K / W
ESD withstand voltage (acc. to ANSI/ ESDA/ JEDEC JS-001 - HBM)	V_{ESD}	2	kV

Emitter 1

Forward current	I_F (DC)	70	mA
Surge current ($t_p \leq 10 \mu s, D = 0$)	I_{FSM}	0.7	A
Power consumption	P_{tot}	140	mW
Thermal resistance junction - ambient, mounted on PC-board (FR4) ^{2) page 14}	R_{thJA}	500	K / W

Emitter 2

Forward current	I_F (DC)	50	mA
Surge current ($t_p \leq 10 \mu s, D = 0$)	I_{FSM}	0.1	A
Power consumption	P_{tot}	135	mW
Thermal resistance junction - ambient, mounted on PC-board (FR4) ^{2) page 14}	R_{thJA}	500	K / W

Note: The stated maximum ratings refer to one chip, unless otherwise specified.

Characteristics ($T_A = 25 \text{ }^\circ\text{C}$)

Parameter	Symbol	Values	Unit
Emitter 1			
Peak wavelength ($I_F = 70 \text{ mA}, t_p = 20 \text{ ms}$)	(typ) λ_{peak}	860	nm
Centroid wavelength ($I_F = 70 \text{ mA}, t_p = 20 \text{ ms}$)	(typ) $\lambda_{centroid}$	850	nm
Spectral bandwidth at 50% of I_{max} ($I_F = 70 \text{ mA}, t_p = 20 \text{ ms}$)	(typ) $\Delta\lambda$	30	nm
Half angle	(typ) φ	± 60	°

Parameter		Symbol	Values	Unit
Dimensions of active chip area	(typ)	L x W	0.2 x 0.2	mm x mm
Rise and fall time of I_e (10% and 90% of $I_{e\max}$) ($I_F = 70\text{ mA}$, $R_L = 50\ \Omega$)	(typ)	t_r, t_f	12	ns
Forward voltage ($I_F = 70\text{ mA}$, $t_p = 20\text{ ms}$)	(typ (max))	V_F	1.6 (≤ 2)	V
Forward voltage ($I_F = 500\text{ mA}$, $t_p = 100\ \mu\text{s}$)	(typ (max))	V_F	2.4 (≤ 3)	V
Reverse current ($V_R = 5\text{ V}$)		I_R	not designed for reverse operation	μA
Total radiant flux ($I_F = 70\text{ mA}$, $t_p = 20\text{ ms}$)	(typ)	Φ_e	40	mW
Radiant intensity ($I_F = 70\text{ mA}$, $t_p = 20\text{ ms}$)	(typ)	$I_{e, \text{typ}}$	12	mW/sr
Radiant intensity in axial direction ($I_F = 70\text{ mA}$, $t_p = 20\text{ ms}$)	(min)	$I_{e, \text{min}}$	6.3	mW / sr
Temperature coefficient of I_e or Φ_e ($I_F = 70\text{ mA}$, $t_p = 20\text{ ms}$)	(typ)	TC_I	-0.5	% / K
Temperature coefficient of V_F ($I_F = 70\text{ mA}$, $t_p = 20\text{ ms}$)	(typ)	TC_V	-0.7	mV / K
Temperature coefficient of wavelength ($I_F = 70\text{ mA}$, $t_p = 20\text{ ms}$)	(typ)	TC_λ	0.3	nm / K

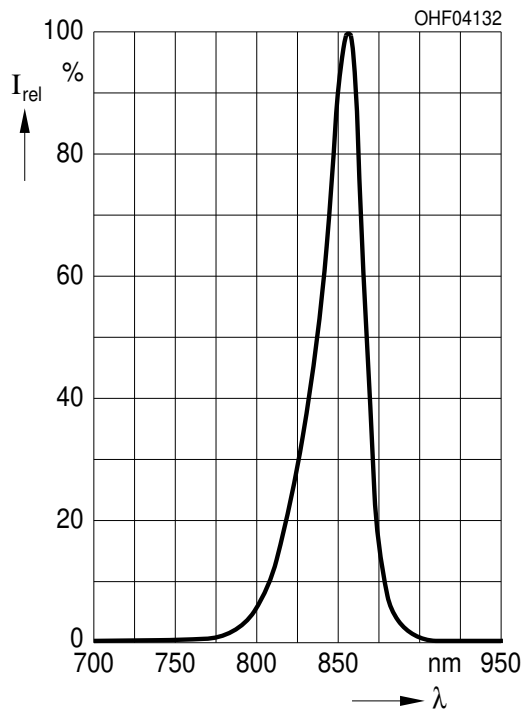
Emitter 2

Peak emission wavelength ($I_F = 20\text{ mA}$, $t_p = 20\text{ ms}$)	(typ)	λ_{peak}	572	nm
Dominant wavelength ($I_F = 20\text{ mA}$, $t_p = 20\text{ ms}$)	(typ)	λ_{dom}	570	nm
Spectral bandwidth at 50% of I_{\max} ($I_F = 20\text{ mA}$, $t_p = 20\text{ ms}$)	(typ)	$\Delta\lambda$	18	nm
Half angle	(typ)	φ	± 60	$^\circ$
Dimensions of active chip area	(typ)	L x W	0.3 x 0.3	mm x mm
Rise and fall times of I_e (10% and 90% of $I_{e\max}$) ($I_F = 20\text{ mA}$, $R_L = 50\ \Omega$)	(typ)	t_r / t_f	400	ns
Forward voltage ($I_F = 20\text{ mA}$, $t_p = 20\text{ ms}$)	(typ (max))	V_F	2.1 (≤ 2.5)	V
Reverse current ($V_R = 12\text{ V}$)	(typ (max))	I_R	0.2 (≤ 10)	μA

Parameter		Symbol	Values	Unit
Luminous intensity	(min)	I_V	> 63	mcd
Temperature coefficient of I_e or Φ_e ($I_F = 20$ mA, $t_p = 20$ ms)	(typ)	TC_I	-1.2	% / K
Temperature coefficient of V_F ($I_F = 20$ mA, $t_p = 20$ ms)	(typ)	TC_V	-1.3	mV / K
Temperature coefficient of λ_{peak} ($I_F = 20$ mA, $t_p = 20$ ms)	(typ)	$TC_{\lambda_{peak}}$	0.3	nm / K
Temperature coefficient of λ_{dom} ($I_F = 20$ mA, $t_p = 20$ ms)	(typ)	$TC_{\lambda_{dom}}$	0.11	nm / K

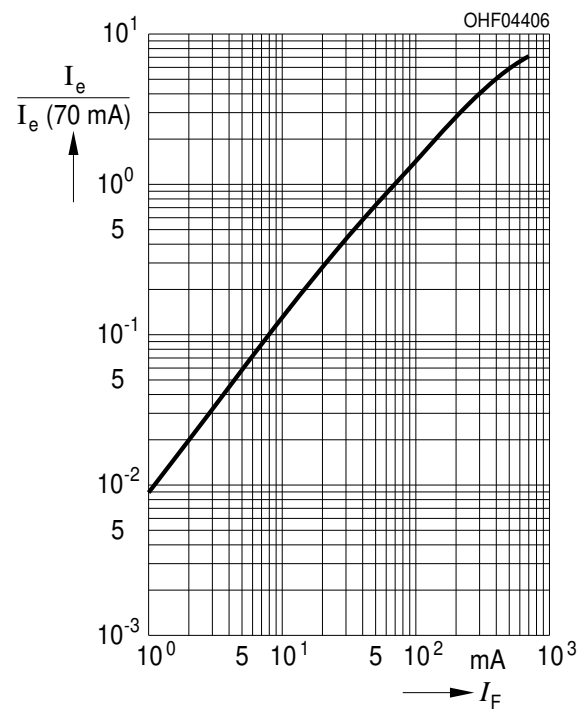
Relative Spectral Emission ^{3) page 14}

(typ) $I_{rel} = f(\lambda)$, $T_A = 25^\circ\text{C}$



Radiant Intensity ^{3) page 14}

$I_e / I_e(70 \text{ mA}) = f(I_F)$, single pulse, $t_p = 25 \mu\text{s}$,
 $T_A = 25^\circ\text{C}$



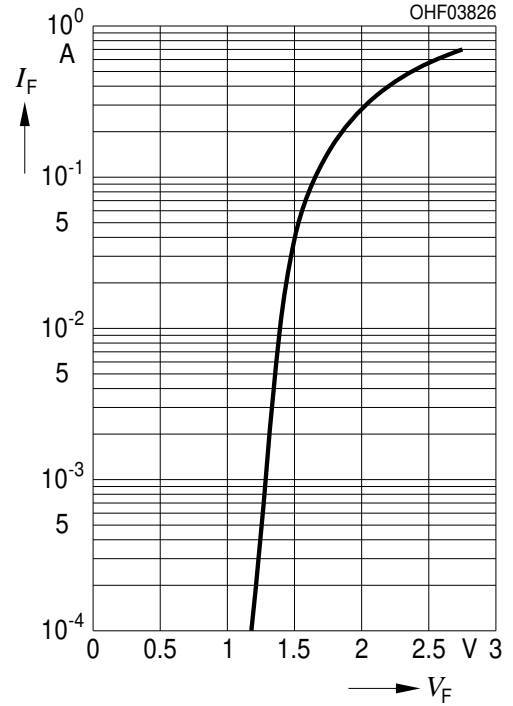
Max. Permissible Forward Current

$I_{F, \max} = f(T_A)$



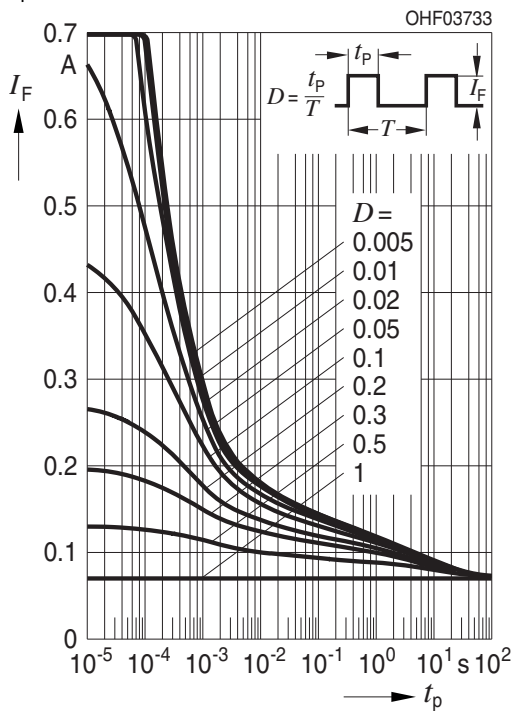
Forward Current ^{3) page 14}

$I_F = f(V_F)$, single pulse, $t_p = 100 \mu s$, $T_A = 25^\circ C$



Permissible Pulse Handling Capability

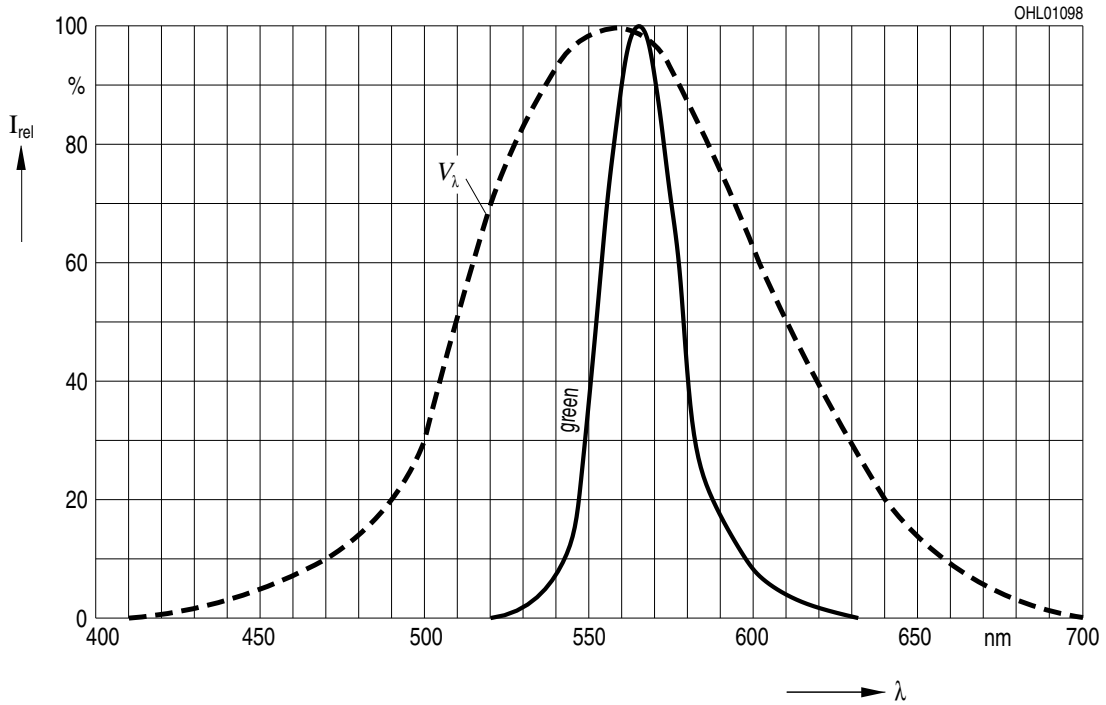
$I_F = f(t_p)$, $T_A = 25^\circ C$, duty cycle $D =$ parameter



Diagrams
Emitter 2

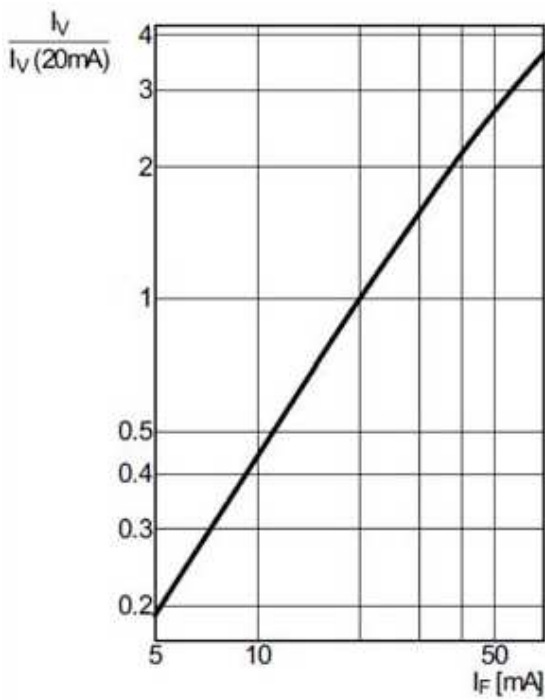
Relative Spectral Emission - $V(\lambda)$ = Standard eye response curve ^{3) page 14}

$I_{rel} = f(\lambda)$; $T_A = 25\text{ }^\circ\text{C}$; $I_F = 20\text{ mA}$



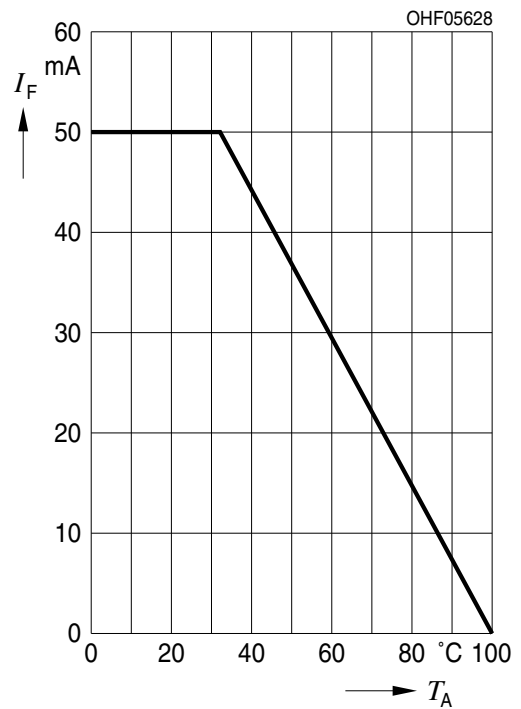
Relative Luminous Intensity ^{3) page 14}

$I_V / I_V(20\text{ mA}) = f(I_F)$, $T_A = 25\text{ }^\circ\text{C}$



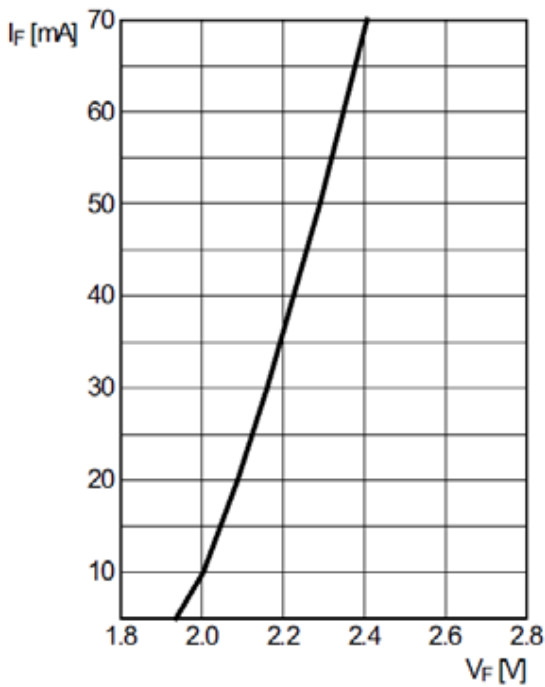
Max. Permissible Forward Current

$I_{F,max} = f(T_A)$



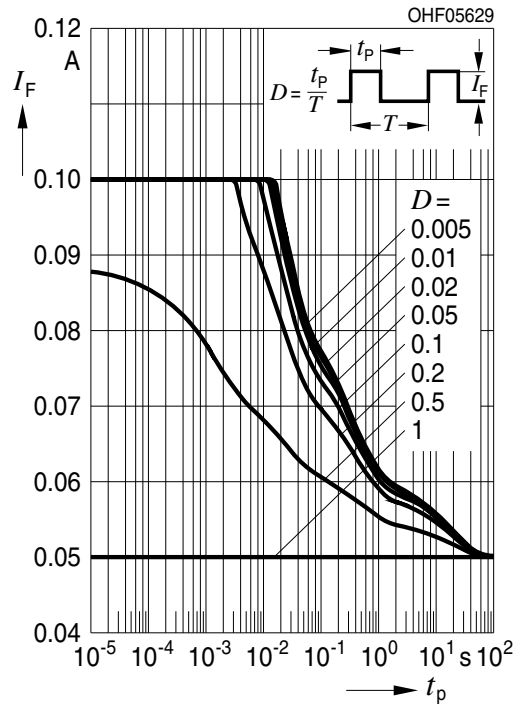
Forward Current ^{3) page 14}

$I_F = f(V_F)$, single pulse, $t_p = 100 \mu s$, $T_A = 25^\circ C$

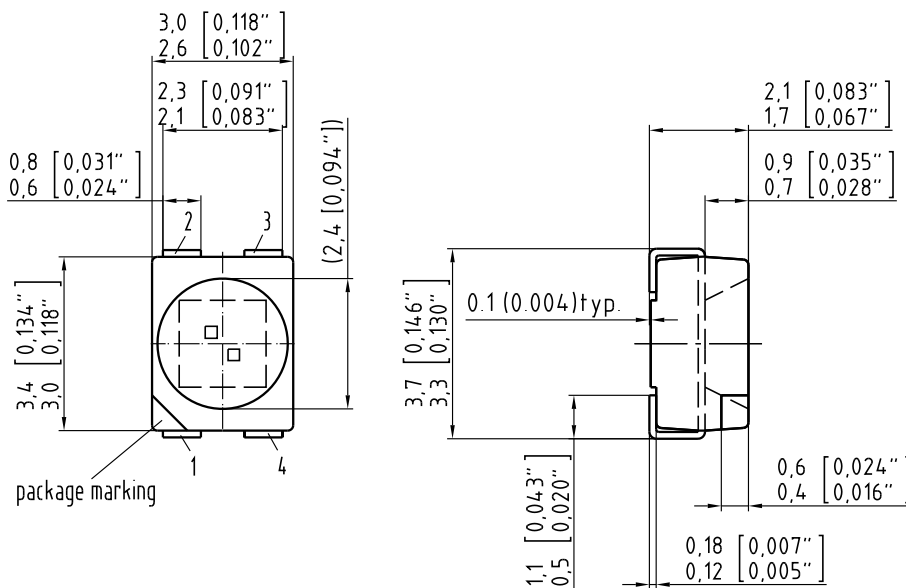


Permissible Pulse Handling Capability

$I_F = f(t_p)$, $T_A = 25^\circ C$, duty cycle $D = \text{parameter}$



Package Outline



Dimensions in mm (inch).

C63062-A4.175-A1-02

Pinning

Pin	Description
1	Cathode Emitter 1 (850nm)
2	Anode Emitter 1 (850nm)
3	Cathode Emitter 2 (570nm)
4	Anode Emitter 2 (570nm)

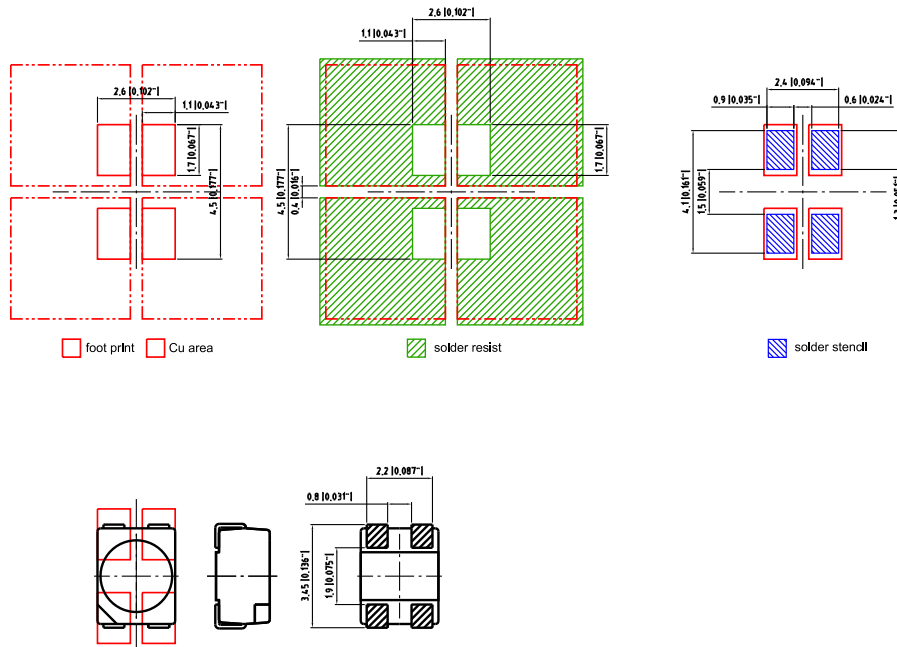
Package

SMT Multi TOPLED

Approximate Weight:

34.0 mg

Recommended Solder Pad

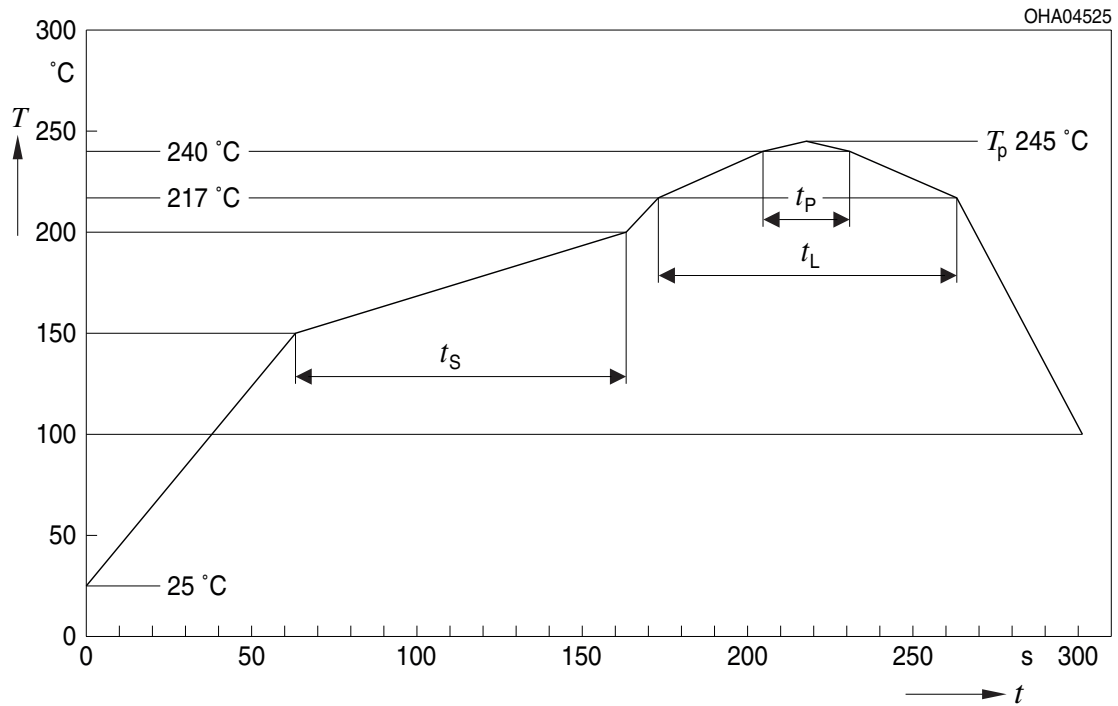


Dimensions in mm (inch).

E062.3010.14.8 -01

Reflow Soldering Profile

Product complies to MSL Level 2 acc. to JEDEC J-STD-020D.01



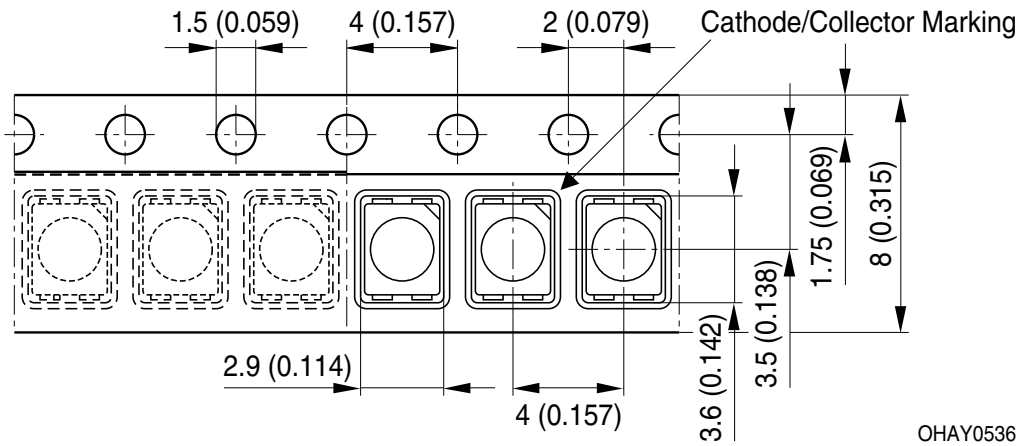
OHA04612

Profile Feature Profil-Charakteristik	Symbol Symbol	Pb-Free (SnAgCu) Assembly			Unit Einheit
		Minimum	Recommendation	Maximum	
Ramp-up rate to preheat*) 25 °C to 150 °C			2	3	K/s
Time t_S T_{Smin} to T_{Smax}	t_S	60	100	120	s
Ramp-up rate to peak*) T_{Smax} to T_P			2	3	K/s
Liquidus temperature	T_L	217			°C
Time above liquidus temperature	t_L		80	100	s
Peak temperature	T_P		245	260	°C
Time within 5 °C of the specified peak temperature $T_P - 5$ K	t_P	10	20	30	s
Ramp-down rate* T_P to 100 °C			3	6	K/s
Time 25 °C to T_P				480	s

All temperatures refer to the center of the package, measured on the top of the component

* slope calculation DT/Dt : Dt max. 5 s; fulfillment for the whole T-range

Taping

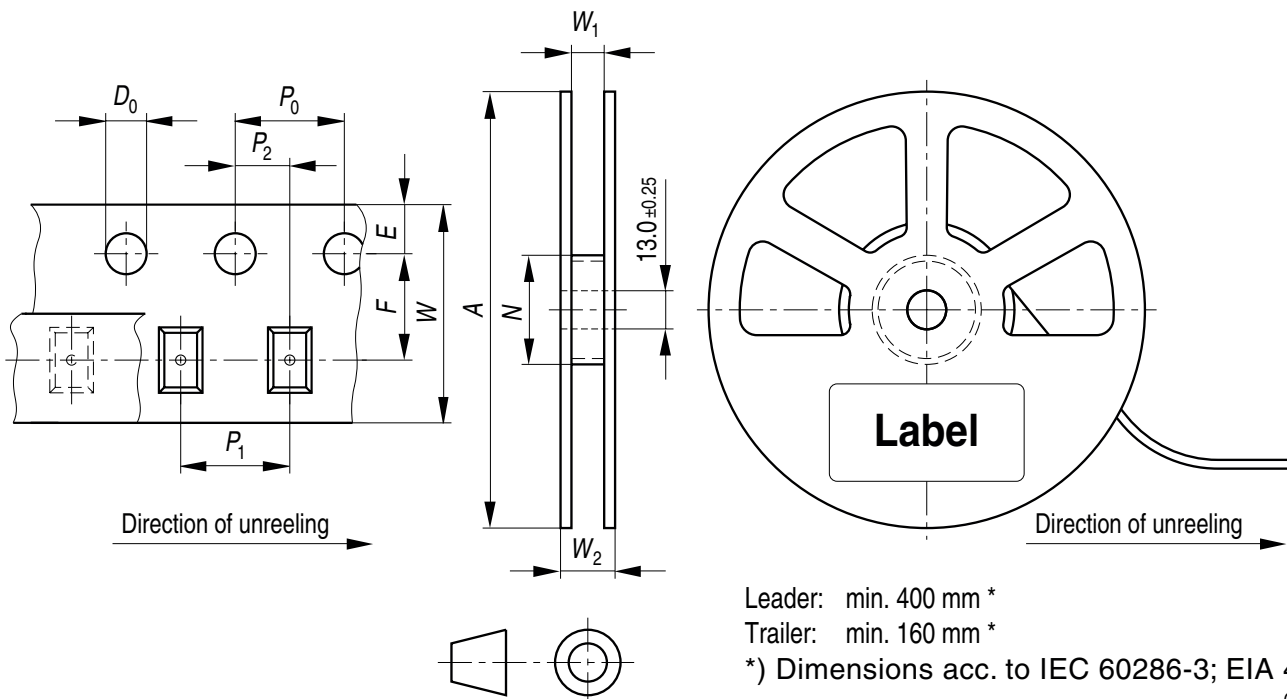


OHAY0536

Dimensions in mm (inch).

Tape and Reel

8 mm tape with 2000 pcs. on \varnothing 180 mm reel, 8000 pcs. on \varnothing 330 mm reel



Leader: min. 400 mm *

Trailer: min. 160 mm *

*) Dimensions acc. to IEC 60286-3; EIA 481-D

OHAY0324

Tape dimensions [mm]

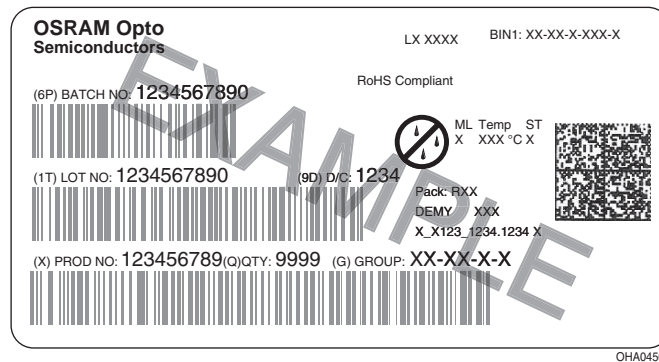
W	P ₀	P ₁	P ₂	D ₀	E	F
8 + 0.3 / -0.1	4 ± 0.1	2 ± 0.05 or 4 ± 0.1	2 ± 0.05	1.5 ± 0.1	1.75 ± 0.1	3.5 ± 0.05

Reel dimensions [mm]

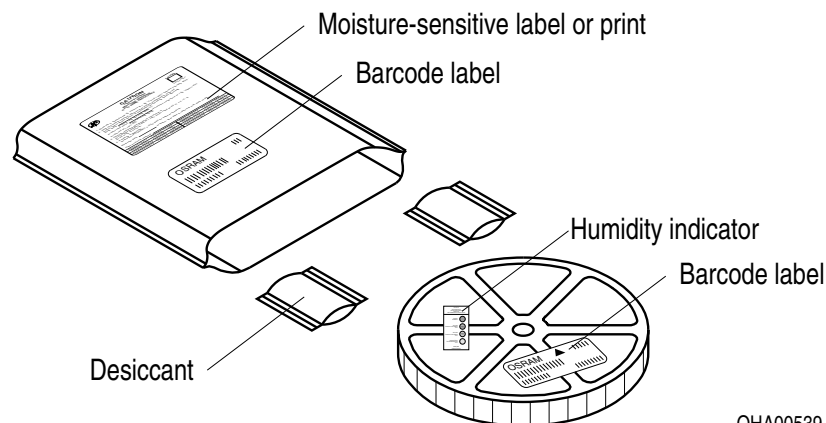
A	W	N _{min}	W ₁	W _{2max}
180	8	60	8.4 + 2	14.4

A	W	N _{min}	W ₁	W _{2max}
330	8	60	8.4 + 2	14.4

Barcode-Product-Label (BPL)



Dry Packing Process and Materials

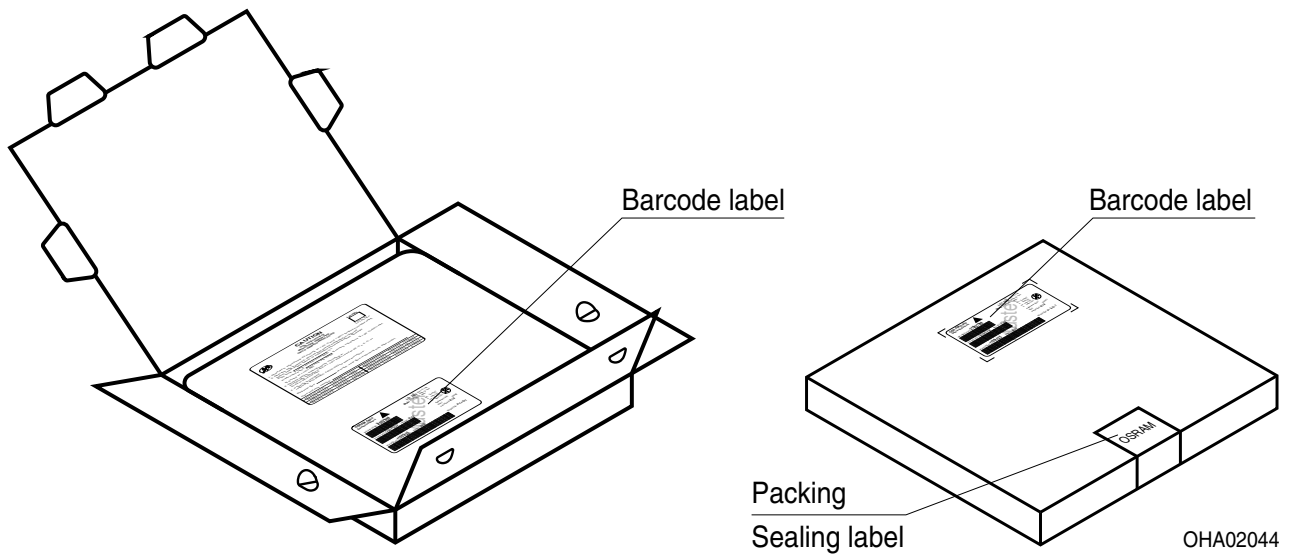


Note:

Moisture-sensitive product is packed in a dry bag containing desiccant and a humidity card. Regarding dry pack you will find further information in the internet. Here you will also find the normative

references like JEDEC.

Transportation Packing and Materials



Dimensions of transportation box in mm

Width	Length	Height
200 ± 5	195 ± 5	30 ± 5
352 ± 5	352 ± 5	33 ± 5

Disclaimer

Language english will prevail in case of any discrepancies or deviations between the two language wordings.

Attention please!

The information describes the type of component and shall not be considered as assured characteristics.

Terms of delivery and rights to change design reserved. Due to technical requirements components may contain dangerous substances.

For information on the types in question please contact our Sales Organization.

If printed or downloaded, please find the latest version in the Internet.

Packing

Please use the recycling operators known to you. We can also help you – get in touch with your nearest sales office.

By agreement we will take packing material back, if it is sorted. You must bear the costs of transport. For packing material that is returned to us unsorted or which we are not obliged to accept, we shall have to invoice you for any costs incurred.

Components used in life-support devices or systems must be expressly authorized for such purpose!

Critical components* may only be used in life-support devices** or systems with the express written approval of OSRAM OS.

*) A critical component is a component used in a life-support device or system whose failure can reasonably be expected to cause the failure of that life-support device or system, or to affect its safety or the effectiveness of that device or system.

**) Life support devices or systems are intended (a) to be implanted in the human body, or (b) to support and/or maintain and sustain human life. If they fail, it is reasonable to assume that the health and the life of the user may be endangered.

Glossary

- 1) both chips on
- 2) only one chip on
- 3) **Typical Values:** Due to the special conditions of the manufacturing processes of LED, the typical data or calculated correlations of technical parameters can only reflect statistical figures. These do not necessarily correspond to the actual parameters of each single product, which could differ from the typical data and calculated correlations or the typical characteristic line. If requested, e.g. because of technical improvements, these typ. data will be changed without any further notice.

Published by OSRAM Opto Semiconductors GmbH
Leibnizstraße 4, D-93055 Regensburg
www.osram-os.com © All Rights Reserved.

EU RoHS and China RoHS compliant product



此产品符合欧盟 RoHS 指令的要求；
按照中国的相关法规和标准，不含有毒有害物质或元素。