



Chipsmall Limited consists of a professional team with an average of over 10 year of expertise in the distribution of electronic components. Based in Hongkong, we have already established firm and mutual-benefit business relationships with customers from,Europe,America and south Asia,supplying obsolete and hard-to-find components to meet their specific needs.

With the principle of “Quality Parts,Customers Priority,Honest Operation,and Considerate Service”,our business mainly focus on the distribution of electronic components. Line cards we deal with include Microchip,ALPS,ROHM,Xilinx,Pulse,ON,Everlight and Freescale. Main products comprise IC,Modules,Potentiometer,IC Socket,Relay,Connector.Our parts cover such applications as commercial,industrial, and automotives areas.

We are looking forward to setting up business relationship with you and hope to provide you with the best service and solution. Let us make a better world for our industry!



## Contact us

Tel: +86-755-8981 8866 Fax: +86-755-8427 6832

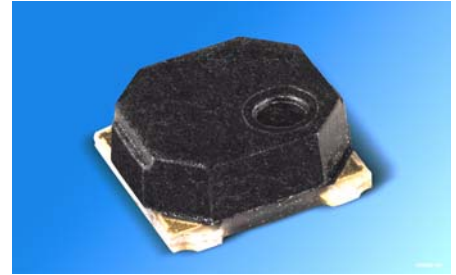
Email & Skype: info@chipsmall.com Web: www.chipsmall.com

Address: A1208, Overseas Decoration Building, #122 Zhenhua RD., Futian, Shenzhen, China



**SMD Kippsensor mit digitalem Ausgang (SFH 7710)**  
**SMD Orientation-Sensor with digital output (SFH 7710)**  
**Lead (Pb) Free Product - RoHS Compliant**

**SFH 7710**



**Wesentliche Merkmale**

- optische Erkennung der Verkippung durch gravitationsabhängige Position einer Stahlkugel
- Niedriger Stromverbrauch
- digitaler Ausgang, open drain
- definierter Schaltwinkelbereich
- sehr kleines SMD Gehäuse
- IC gesteuerter Sensor

**Anwendungen**

- Digitalkameras
- Camcorder
- Mobiltelefone
- Computer Zubehör

**Features**

- optical detection of orientation by gravity dependent position of a steel ball
- Low current consumption
- digital output, open drain
- defined range of switching angle
- very small SMD package
- IC controlled sensor

**Applications**

- Digital cameras
- Camcorders
- Mobile phones
- Computer peripherals

Typ Type	Bestellnummer Ordering Code
SFH 7710	Q65110A4407

**Grenzwerte**  
**Maximum Ratings**

Bezeichnung Parameter	Symbol Symbol	Wert Value	Einheit Unit
Versorgungsspannung Supply voltage	$V_{cc}$	-0.2...6	V
Ausgangsspannung Output voltage	$V_o$	-0.3...4.5	V
Ausgangsstrom Output current	$I_o$	10	mA
Lagertemperatur Storage temperature range	$T_s$	-40...100	°C
Elektrostatische Entladung Electrostatic discharge - human body model (according to: Class I) - machine model (according to: AEC-Q100-003-REV-D, classification M3)	$V_{ESD}$	2 200	kV V
latch up Schutz latch-up protection (according to: EIA/JESD78 Class I)		20	mA

**Empfohlener Arbeitsbereich**  
**Recommended Operating conditions**

Bezeichnung Parameter	Symbol Symbol	Wert Value		Einheit Unit
		Min	Max	
Betriebstemperatur Full operational ambient temperature range	$T_A$	-20	+65	°C
Versorgungsspannung Supply voltage	$V_{CC}$	2.3	3.6	V
Versorgungsspannungsstörungen * (Frequenzbereich: 0...20kHz) Supply voltage noise (frequency range: 0...20kHz)	$dV_{CC\ pp}$		0.2	V
Ausgangsspannung Output voltage	$V_o$	1.7	3.6	V
Pull-up Widerstand Pull-up resistance	$R_{pull\ up}$	10	100	kOhm

\* Der Emitter wird mit 10mA gepulst betrieben; das bedeutet, dass jeder Widerstand in Serie zu  $V_{CC}$  einen Spannungsabfall in der Versorgungsleitung verursacht. Daher wird empfohlen, diesen Serienwiderstand kleiner 10 Ohm zu halten. Die minimale Versorgungsspannung ( $V_{CC\ min}$ ) darf keinesfalls unterschritten werden.

\* The emitter is driven with 10 mA in pulsed mode; this means that any series resistor to  $V_{CC}$  causes a voltage drop on the power line. It is recommended to keep the series resistor below 10 Ohm. The supply voltage may not fall below  $V_{CC\ min}$



**Kennwerte****Characteristics**

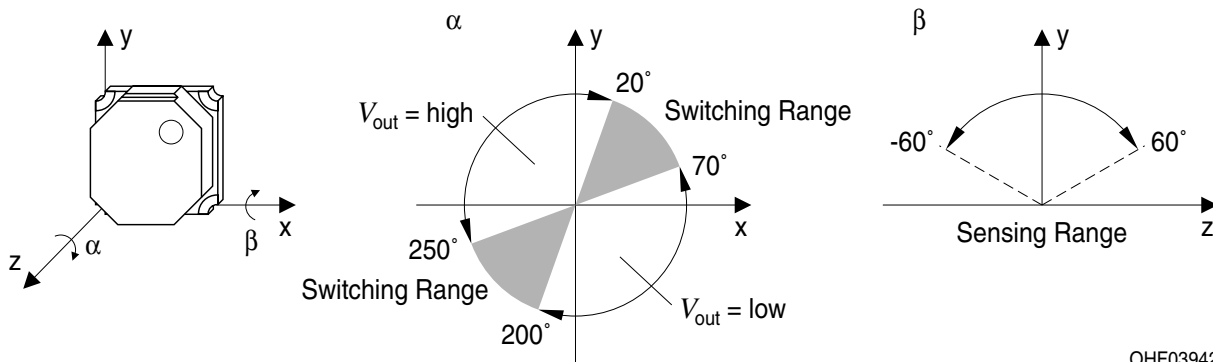
(TA=25°C)

Bezeichnung Parameter	Symbol Symbol	Wert Value			Einheit Unit
		Min.	Typ.	Max.	
Minimale Betriebsspannung für Startphase (siehe Figure 3) Minimum required supply voltage for start-up (see Figure 3)	$V_{cc,start}$	0.8		2.0	V
Länge der Startphase (siehe Figure 3) Start up time (see Figure 3)	$t_{start}$	60		120	ms
Durchschnittlicher Stromaufnahme <sup>1)</sup> mean current consumption <sup>1)</sup>	$I_{mean}$			50	$\mu$ A
Spitzenstromaufnahme <sup>2)</sup> peak current consumption <sup>1)</sup>	$I_{peak}$			20	mA
Ausgangsleckstrom „high“ Output leakage current „high“ $V_o = 3,6V$	$I_{OH}$			5	$\mu$ A
Ausgangsleckstrom „low“ Output leakage current „low“ $I_{OL} = 10mA$ ( $V_{cc} = 2,3V$ )	$V_{OL}$			0.5	V
Aktualisierung des Ausgangssignals <sup>1)</sup> Refresh of output signal <sup>1)</sup>	$t_{refresh}$		90		ms
Kippwinkel mit Ausgangszustand „low“ (siehe Figure1) Tilt angle with output state „low“ (see Figure 1)	$\alpha_t$	70		200	°
Kippwinkel mit Ausgangszustand „high“ (siehe Figure1) Tilt angle with output state „high“ (see Figure 1)	$\alpha_u$	250		20	°

1) gepulster Betrieb: Dauer LED an: ~44 $\mu$ s / Dauer LED aus: ~90ms  
pulsed operation mode: LED on time: ~44 $\mu$ s / LED off time: ~90ms

2) gepulster Betrieb: Dauer LED an: ~44 $\mu$ s / Dauer LED aus: ~90ms  
pulsed operation mode: LED on time: ~44 $\mu$ s / LED off time: ~90ms

## Funktionsdiagramm Functional diagram



OHF03942

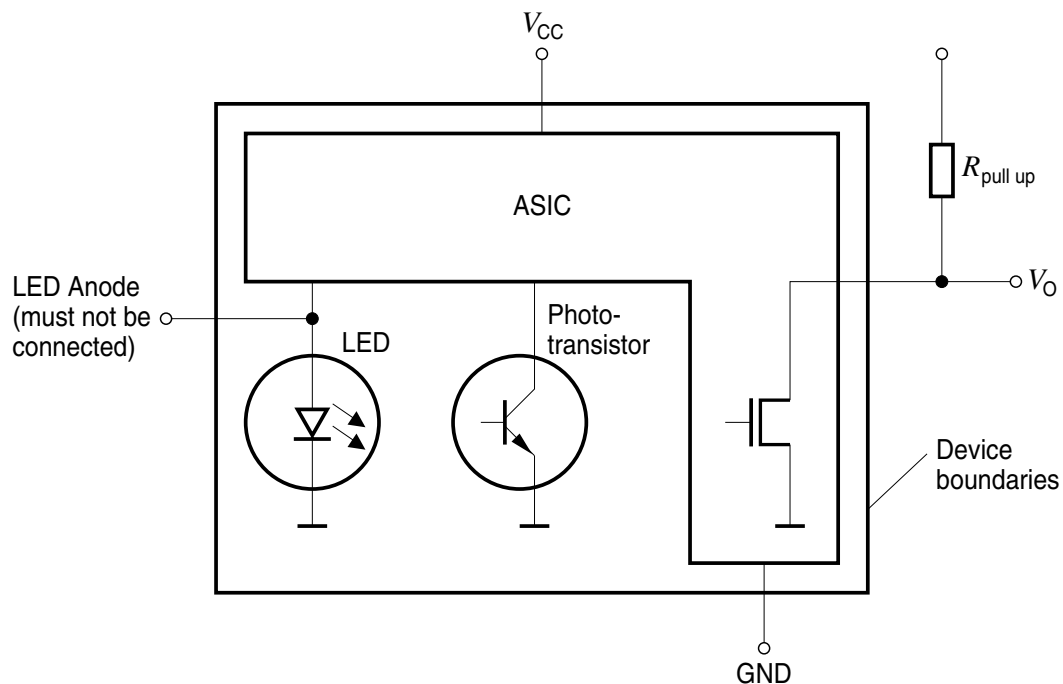
Figure1:

Erfassungscharakteristik / Detecting characteristics

(Unter extremen Bedingungen (hohe Temperatur und/oder hohe relative Feuchte) kann vorübergehend eine grössere Schaltwinkeltoleranz auftreten)

(Under extreme conditions (high temperature and/or high relative humidity) a wider switching angle tolerance can occur temporarily)

**Blockdiagramm**  
**block diagram**



OHF03939

Figure2:

Blockdiagramm (empfohlener Pull-Up-Widerstand  $R_{\text{pull up}} = 10\text{k}\Omega \dots 100\text{k}\Omega$ )

Block diagram (recommended Pull up resistance  $R_{\text{pull up}} = 10\text{k}\Omega \dots 100\text{k}\Omega$ )

## Startverhalten und Ablaufdiagramm

### Start-up behavior and Timing diagramm

Der Ausgang ist immer hochohmig, wenn an  $V_{CC}$  keine Spannung angeschlossen ist. Wenn die Versorgungsspannung  $V_{CC}$ , start erreicht, bleibt der Ausgang für 60ms  $t_{start} < 120ms$  auf „low“. Anschließend findet etwa alle 90ms eine Messung der Orientierung statt und der Ausgang wird entsprechend geschaltet.

The Output is always high ohmic when voltage at  $V_{CC}$  is not connected. When supply voltage reaches  $V_{CC}$ , start the sensor output stays low for 60ms  $t_{start} < 120ms$ . Subsequently approx. every 90ms the orientation is measured and the output is set accordingly.

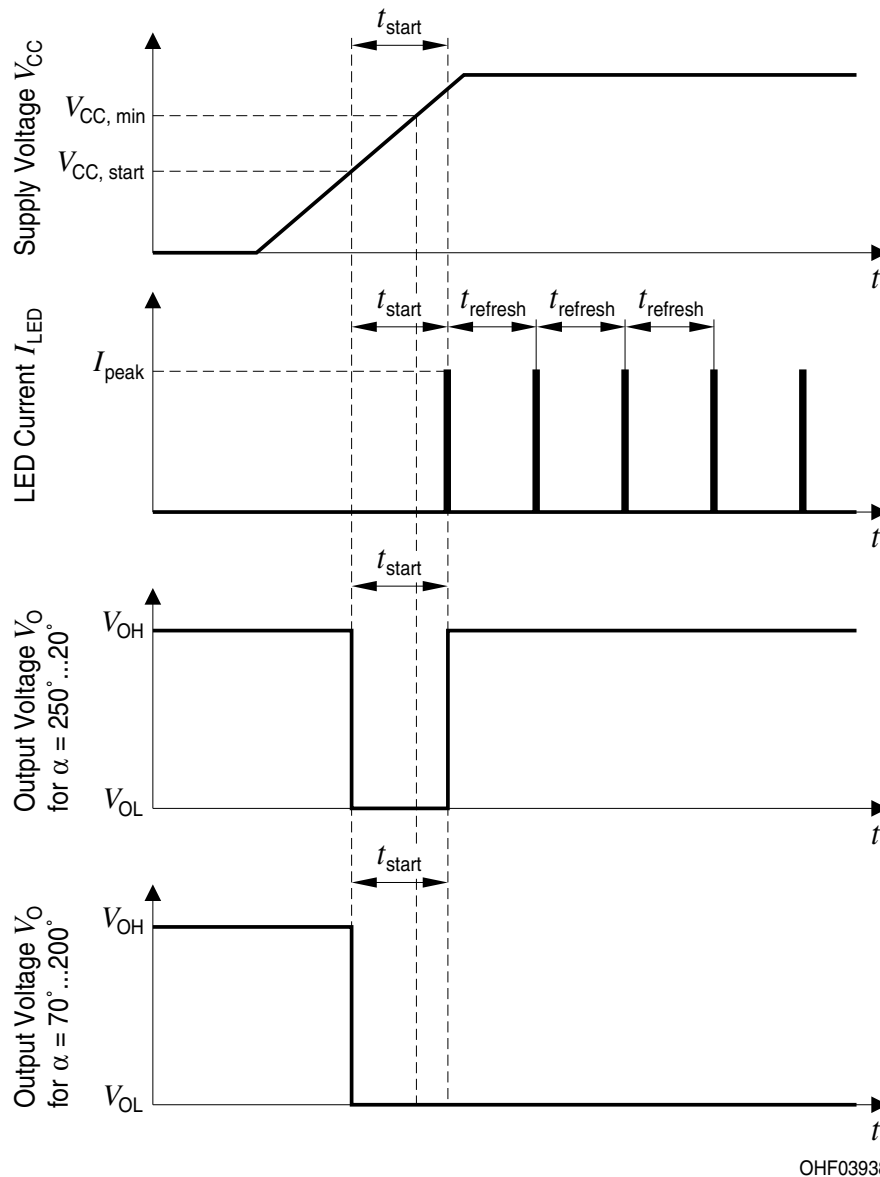
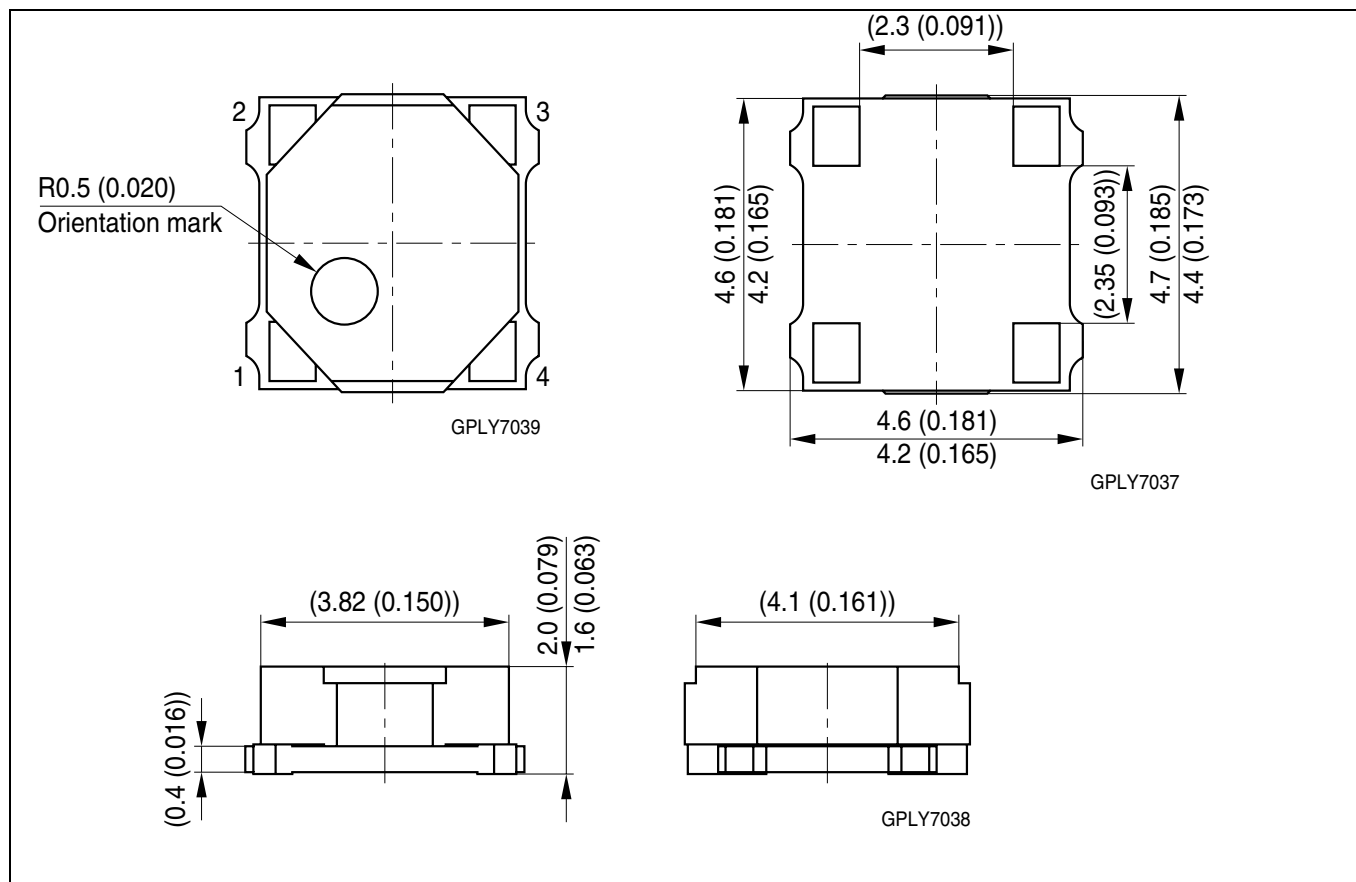


Figure 3:  
Startverhalten und Ablaufdiagramm des Sensors  
Start-up behavior and Timing diagram of sensor



## Maßzeichnung Package Outlines

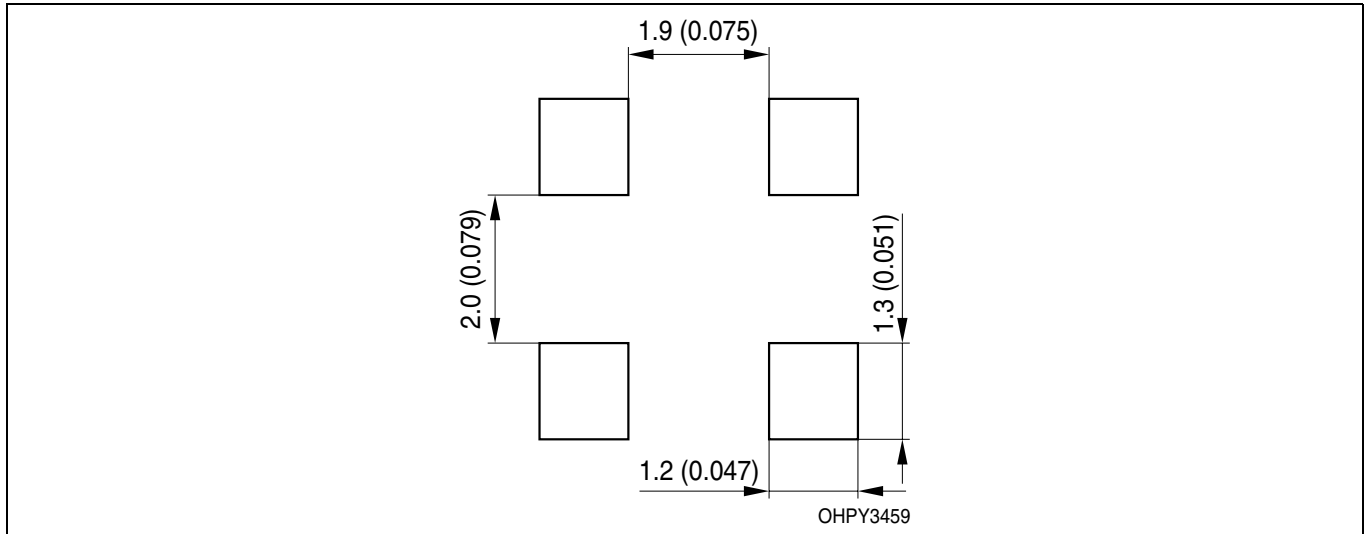


Maße in mm (inch) / Dimensions in mm (inch)

## Anschlußbelegung Pin configuration

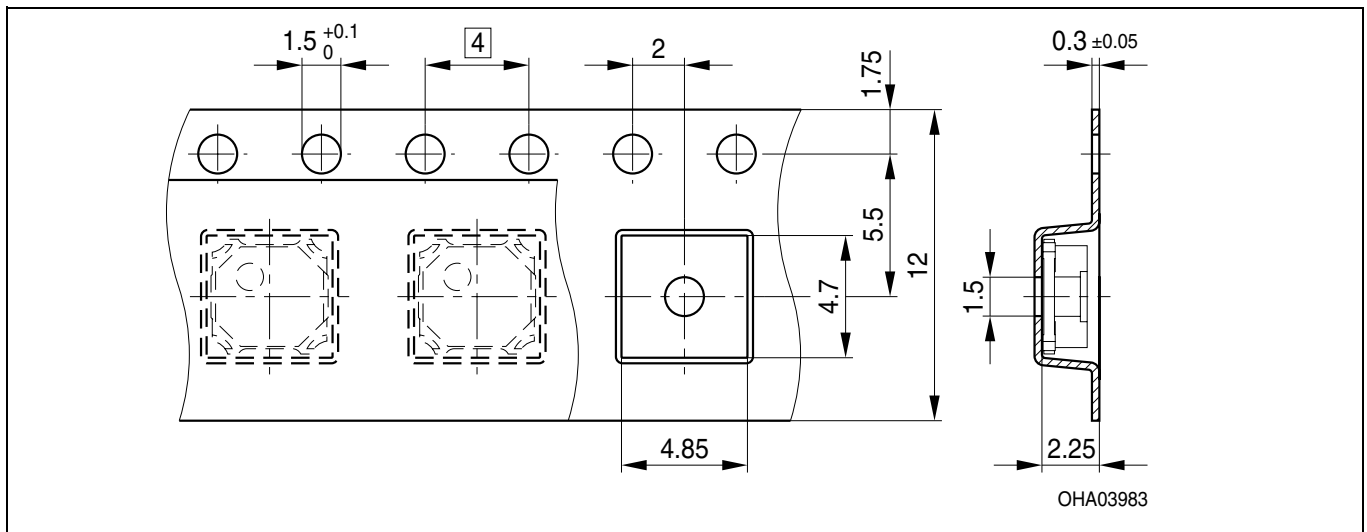
Pin #	Description
1	GND
2	Vcc
3	LED Anode (must not be connected)
4	Out

**Empfohlenes Lötpaddesign**  
**Recommended Solderpad Design**



Maße in mm (inch) / Dimensions in mm (inch)

**Gurtung und Lage**  
**Method of taping and orientation**



Maße in mm (inch) / Dimensions in mm (inch)

## Lötbedingungen Soldering Conditions

Vorbehandlung nach JEDEC Level 4  
Preconditioning acc. to JEDEC Level 4

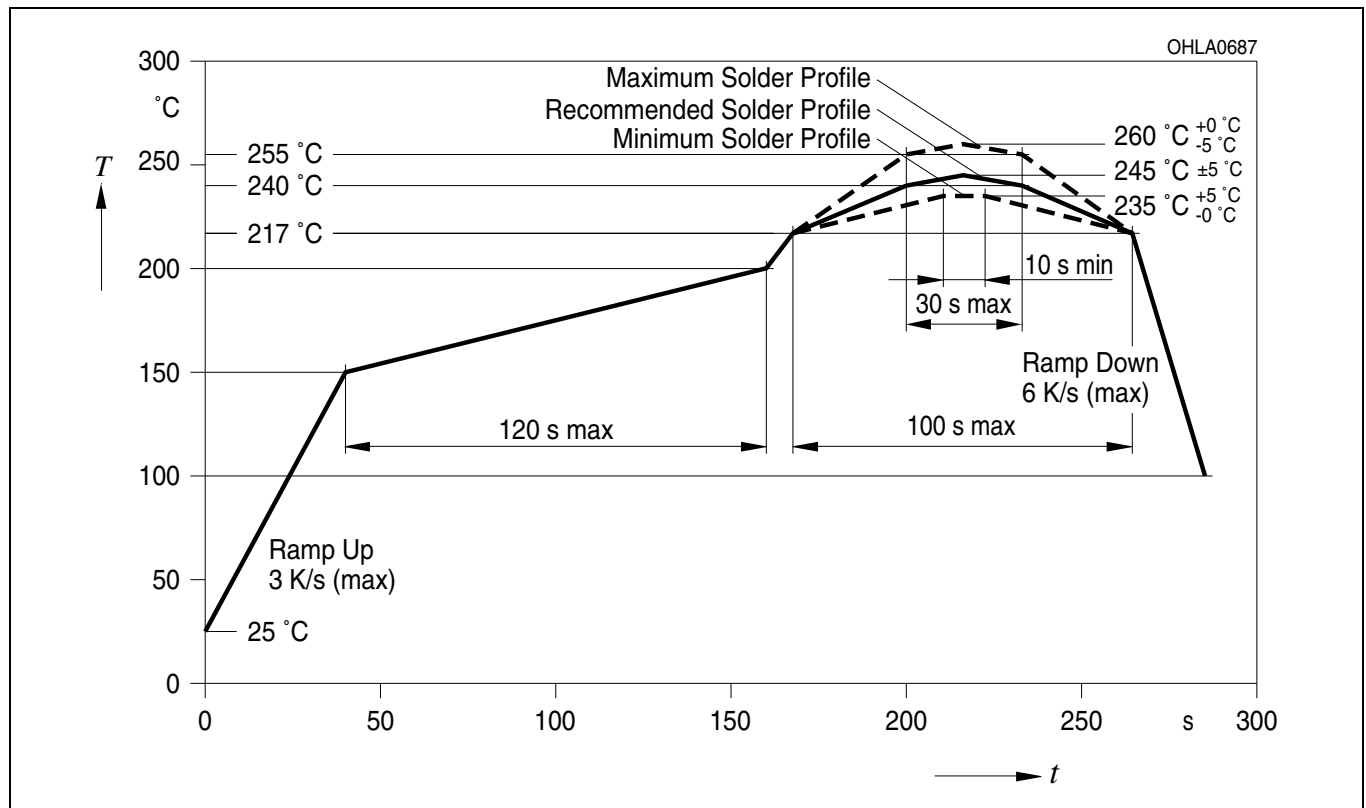


Figure 8: Temperaturprofil für Reflow-Löten (Der Sensor darf nach dem Löten nicht gewaschen werden.)  
Temperature profile for Reflow-soldering (Do not wash the sensor after soldering)

EU RoHS and China RoHS compliant product



Published by  
**OSRAM Opto Semiconductors GmbH**  
Wernerwerkstrasse 2, D-93049 Regensburg  
[www.osram-os.com](http://www.osram-os.com)

此产品符合欧盟 RoHS 指令的要求；  
按照中国的相关法规和标准，不含有毒有害物质或元素。

© All Rights Reserved.

The information describes the type of component and shall not be considered as assured characteristics. Terms of delivery and rights to change design reserved. Due to technical requirements components may contain dangerous substances. For information on the types in question please contact our Sales Organization.

### Packing

Please use the recycling operators known to you. We can also help you – get in touch with your nearest sales office. By agreement we will take packing material back, if it is sorted. You must bear the costs of transport. For packing material that is returned to us unsorted or which we are not obliged to accept, we shall have to invoice you for any costs incurred.

**Components used in life-support devices or systems must be expressly authorized for such purpose!** Critical components<sup>1</sup>, may only be used in life-support devices or systems<sup>2</sup> with the express written approval of OSRAM OS.

<sup>1</sup> A critical component is a component used in a life-support device or system whose failure can reasonably be expected to cause the failure of that life-support device or system, or to affect its safety or effectiveness of that device or system.

<sup>2</sup> Life support devices or systems are intended (a) to be implanted in the human body, or (b) to support and/or maintain and sustain human life. If they fail, it is reasonable to assume that the health of the user may be endangered.