



Chipsmall Limited consists of a professional team with an average of over 10 year of expertise in the distribution of electronic components. Based in Hongkong, we have already established firm and mutual-benefit business relationships with customers from,Europe,America and south Asia,supplying obsolete and hard-to-find components to meet their specific needs.

With the principle of “Quality Parts,Customers Priority,Honest Operation,and Considerate Service”,our business mainly focus on the distribution of electronic components. Line cards we deal with include Microchip,ALPS,ROHM,Xilinx,Pulse,ON,Everlight and Freescale. Main products comprise IC,Modules,Potentiometer,IC Socket,Relay,Connector.Our parts cover such applications as commercial,industrial, and automotives areas.

We are looking forward to setting up business relationship with you and hope to provide you with the best service and solution. Let us make a better world for our industry!



Contact us

Tel: +86-755-8981 8866 Fax: +86-755-8427 6832

Email & Skype: info@chipsmall.com Web: www.chipsmall.com

Address: A1208, Overseas Decoration Building, #122 Zhenhua RD., Futian, Shenzhen, China



REVISIONS				
REV.	ECO. NO	DESCRIPTION	DATE	BY
C	1909	ADD 'V' PLATING, UPDATE NOTES.	2/4/2009	JH
D	2149	REMOVE "E" PLATING AND UPDATE NOTES 10, "B" TOLERANCE WAS $\pm .012$ [± 0.30]	06/18/2010	LH
E	2613	ADD CONTACT RESISTANCE NOTE	7/2/2012	JH
F	2835	UPDATE NOTE 4(WAS OPERATING TEMP. -45°C TO $+85^{\circ}\text{C}$)	04/07/2014	LH
H	3219	UPDATE INSULATOR COLOR OPTIONS	11/25/2015	MG

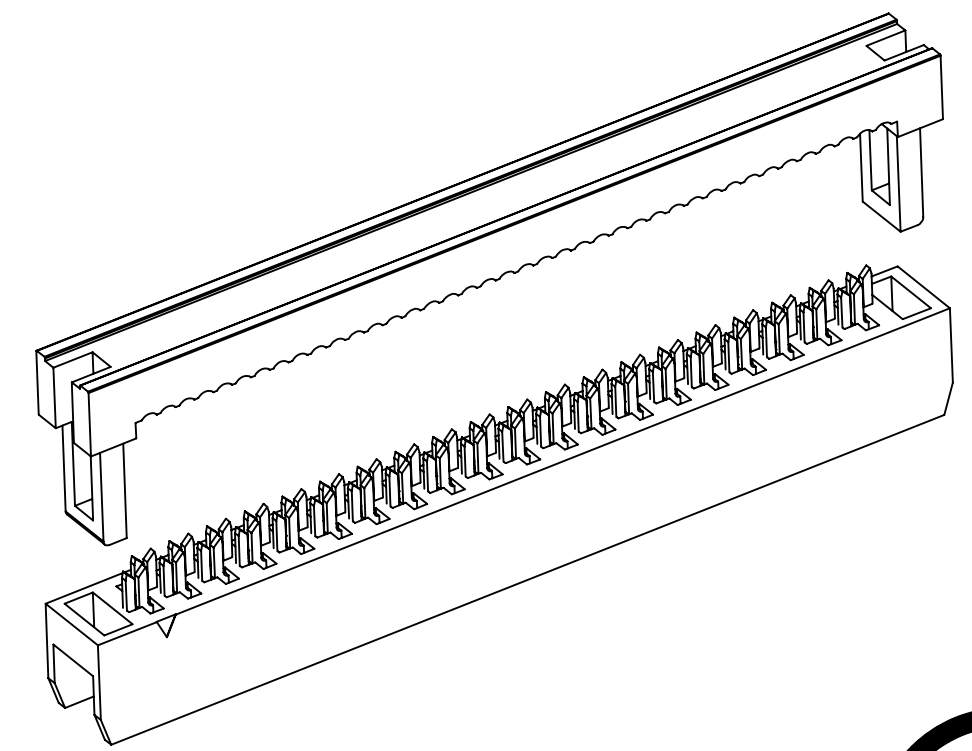
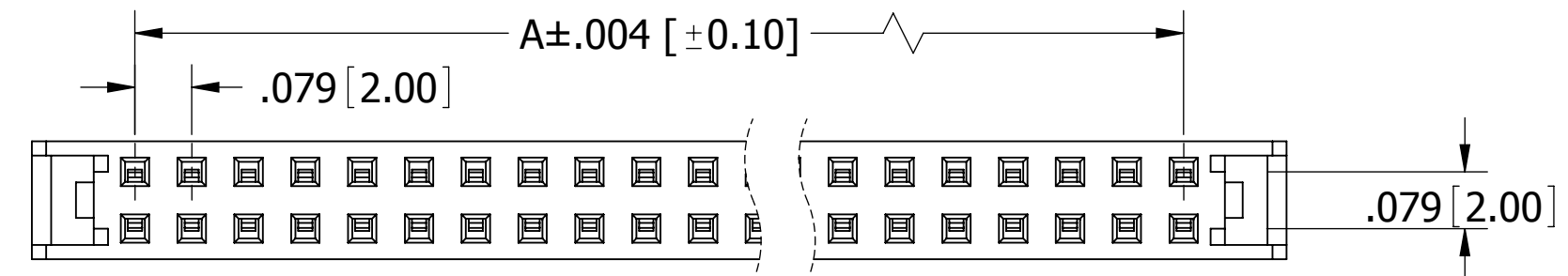
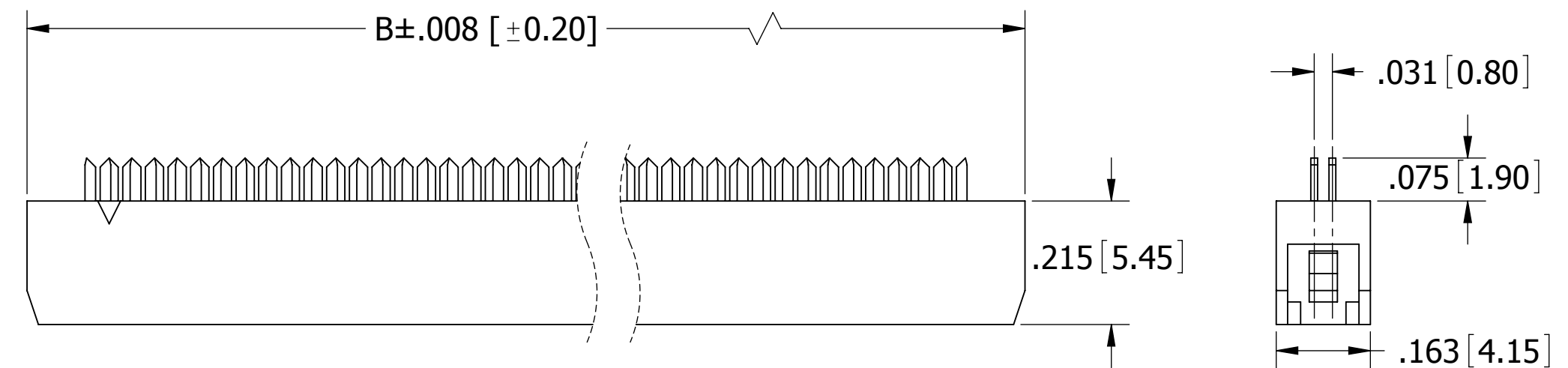
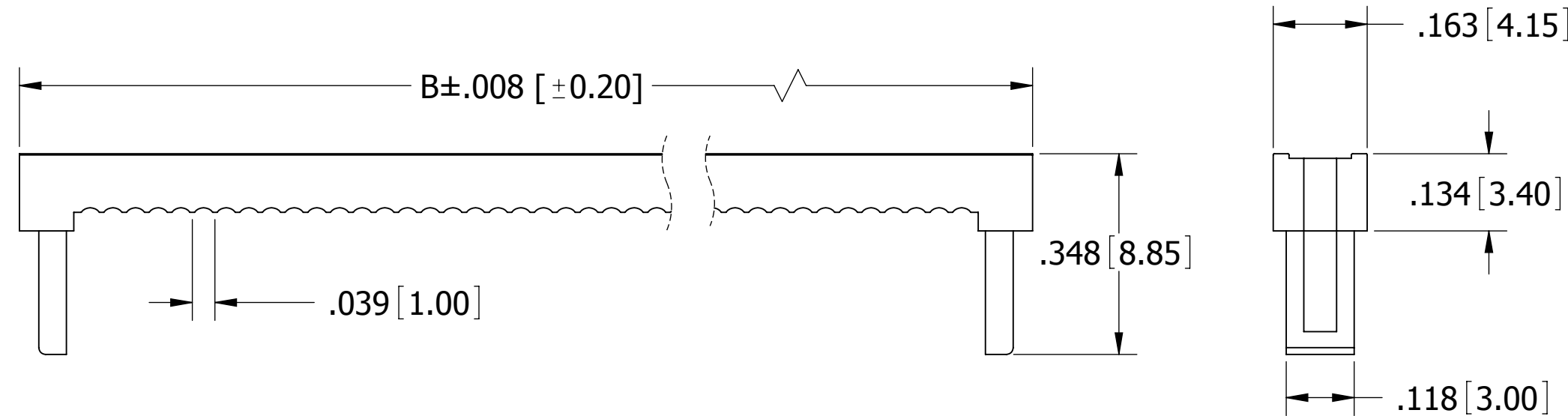
PART NUMBER CODING
SFH21-PP_N-D__-ID-BK-M181

NUMBER OF POSITIONS

(CONTACTS PER ROW)

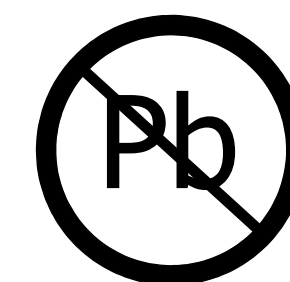
PLATING

P = GOLD FLASH OVERALL
V = GOLD FLASH ON CONTACT SURFACE,
NICKEL ON TERMINATION



PART NUMBER	POSITIONS/ CONTACTS	A		B	
		INCH	MM	INCH	MM
SFH21-PP_N-D03-ID-BK-M181	03/06	0.157	4.00	0.443	11.25
SFH21-PP_N-D04-ID-BK-M181	04/08	0.236	6.00	0.522	13.25
SFH21-PP_N-D05-ID-BK-M181	05/10	0.315	8.00	0.600	15.25
SFH21-PP_N-D06-ID-BK-M181	06/12	0.394	10.00	0.679	17.25
SFH21-PP_N-D07-ID-BK-M181	07/14	0.472	12.00	0.758	19.25
SFH21-PP_N-D08-ID-BK-M181	08/16	0.551	14.00	0.837	21.25
SFH21-PP_N-D09-ID-BK-M181	09/18	0.630	16.00	0.915	23.25
SFH21-PP_N-D10-ID-BK-M181	10/20	0.709	18.00	0.994	25.25
SFH21-PP_N-D11-ID-BK-M181	11/22	0.787	20.00	1.073	27.25
SFH21-PP_N-D12-ID-BK-M181	12/24	0.866	22.00	1.152	29.25
SFH21-PP_N-D13-ID-BK-M181	13/26	0.945	24.00	1.230	31.25
SFH21-PP_N-D15-ID-BK-M181	15/30	1.102	28.00	1.388	35.25
SFH21-PP_N-D17-ID-BK-M181	17/34	1.260	32.00	1.545	39.25
SFH21-PP_N-D20-ID-BK-M181	20/40	1.496	38.00	1.781	45.25
SFH21-PP_N-D22-ID-BK-M181	22/44	1.654	42.00	1.939	49.25
SFH21-PP_N-D25-ID-BK-M181	25/50	1.890	48.00	2.175	55.25
SFH21-PP_N-D30-ID-BK-M181	30/60	2.283	58.00	2.569	65.25
SFH21-PP_N-D34-ID-BK-M181	34/68	2.598	66.00	2.884	73.25

- NOTES:**
- INSULATOR MATERIAL: PBT 30% GLASS FIBER, BLACK
 - CONTACT MATERIAL: PHOSPHOR BRONZE
 - PLATING: SEE PART NUMBER CODING
 - OPERATING TEMPERATURE: -40°C TO $+105^{\circ}\text{C}$
 - UL FLAMMABILITY RATING: 94V-0
 - CURRENT RATING: 1 AMP PER CONTACT
 - INSULATION RESISTANCE: 1,000M OHMS MIN.
 - CONTACT RESISTANCE: 30 MILLIOHMS MAX.
 - DIELECTRIC WITHSTANDING: 500 VAC
 - MATES WITH SBH21 SERIES
 - FOR $.039$ " [1.00mm] PITCH FLAT CABLE, 26 - 28 AWG WIRE RANGE
 - M181 DENOTES PART W/O POLARIZING KEY



RoHS COMPLIANT

UNLESS OTHERWISE SPECIFIED:
DIMENSIONS ARE IN INCHES [MM]

TOLERANCES:

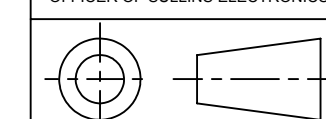
ANGULAR: $\pm 1^{\circ}$

DECIMALS
.XX = $\pm .012$ [.3]
.XXX = $\pm .008$ [.20]
.XXXX = $\pm .0040$ [.100]

DRAWN DATE NAME

10/28/08 JH

THE INFORMATION HEREIN CONTAINS PROPRIETARY INFORMATION OF SULLINS ELECTRONICS AND IS NOT TO BE REPRODUCED, USED OR DISCLOSED TO OTHERS FOR ANY PURPOSE EXCEPT AS SPECIFICALLY AUTHORIZED IN WRITING BY AN OFFICER OF SULLINS ELECTRONICS.



TITLE
HEADER FEMALE, .079[2.00] CC w/o POLARIZING KEY

PART NUMBER
SFH21-PP_N-D__-ID-BK-M181

SIZE CAGE CODE DWG. NO. REV
C 54453 11155 H

SCALE: 2:1 SHEET 1 OF 1