



Chipsmall Limited consists of a professional team with an average of over 10 year of expertise in the distribution of electronic components. Based in Hongkong, we have already established firm and mutual-benefit business relationships with customers from,Europe,America and south Asia,supplying obsolete and hard-to-find components to meet their specific needs.

With the principle of “Quality Parts,Customers Priority,Honest Operation,and Considerate Service”,our business mainly focus on the distribution of electronic components. Line cards we deal with include Microchip,ALPS,ROHM,Xilinx,Pulse,ON,Everlight and Freescale. Main products comprise IC,Modules,Potentiometer,IC Socket,Relay,Connector.Our parts cover such applications as commercial,industrial, and automotives areas.

We are looking forward to setting up business relationship with you and hope to provide you with the best service and solution. Let us make a better world for our industry!



Contact us

Tel: +86-755-8981 8866 Fax: +86-755-8427 6832

Email & Skype: info@chipsmall.com Web: www.chipsmall.com

Address: A1208, Overseas Decoration Building, #122 Zhenhua RD., Futian, Shenzhen, China



PART NUMBER CODING

SFH210-PP_C-D_-ID-BK-M208

COLOR

BK= BLACK

NUMBER OF POSITIONS

(CONTACTS PER ROW)

PLATING

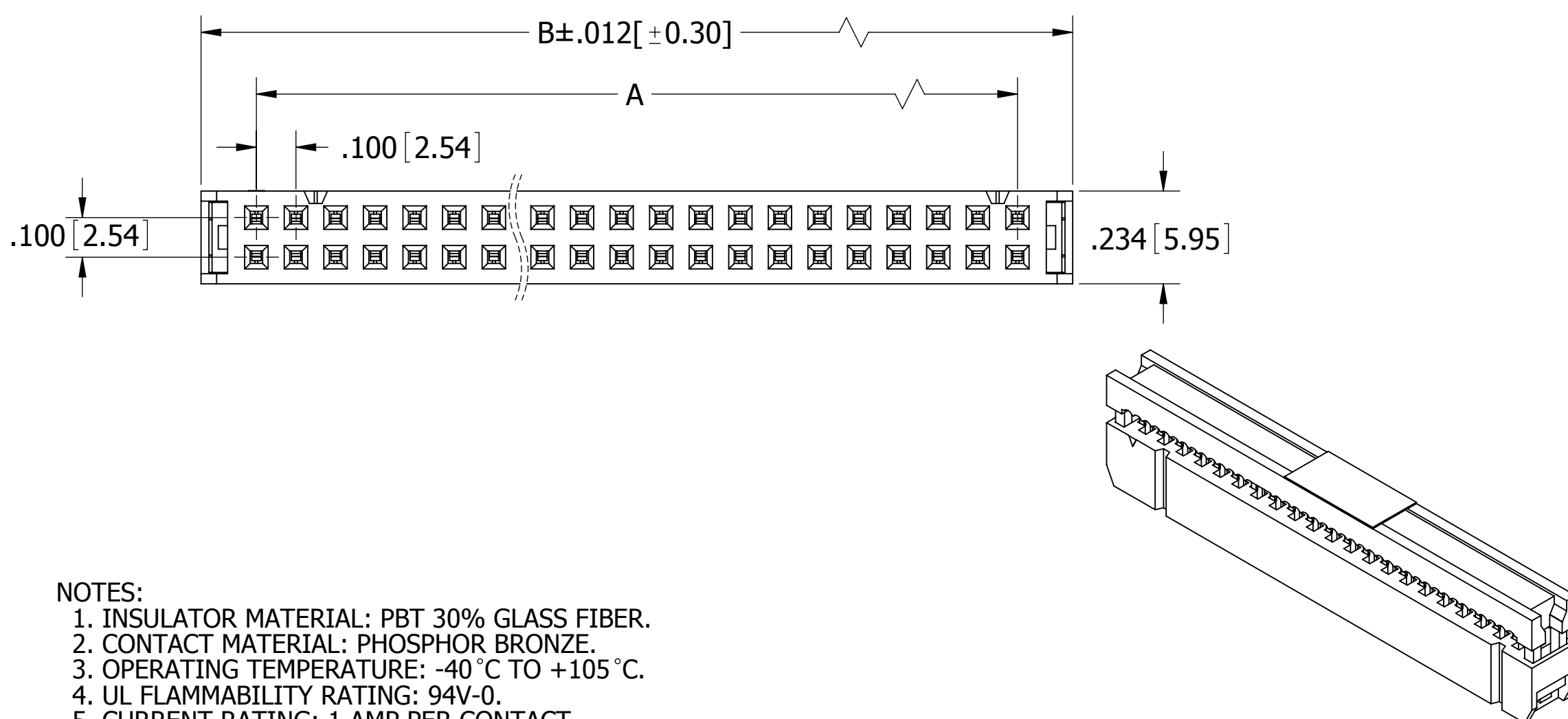
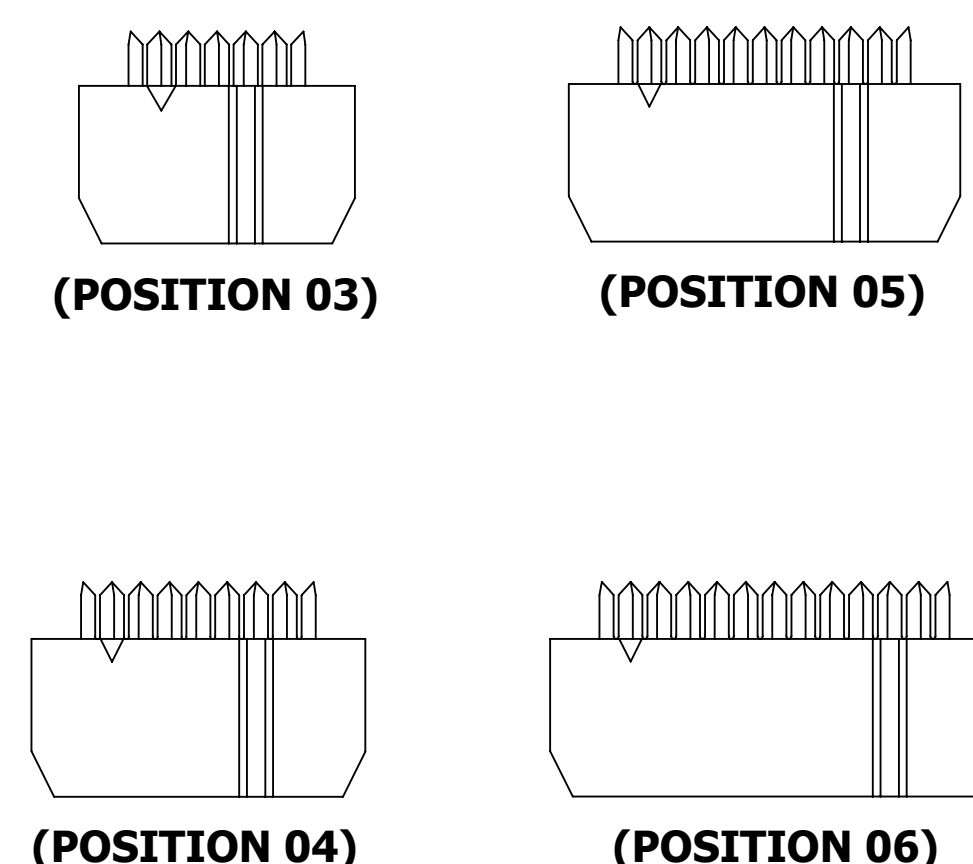
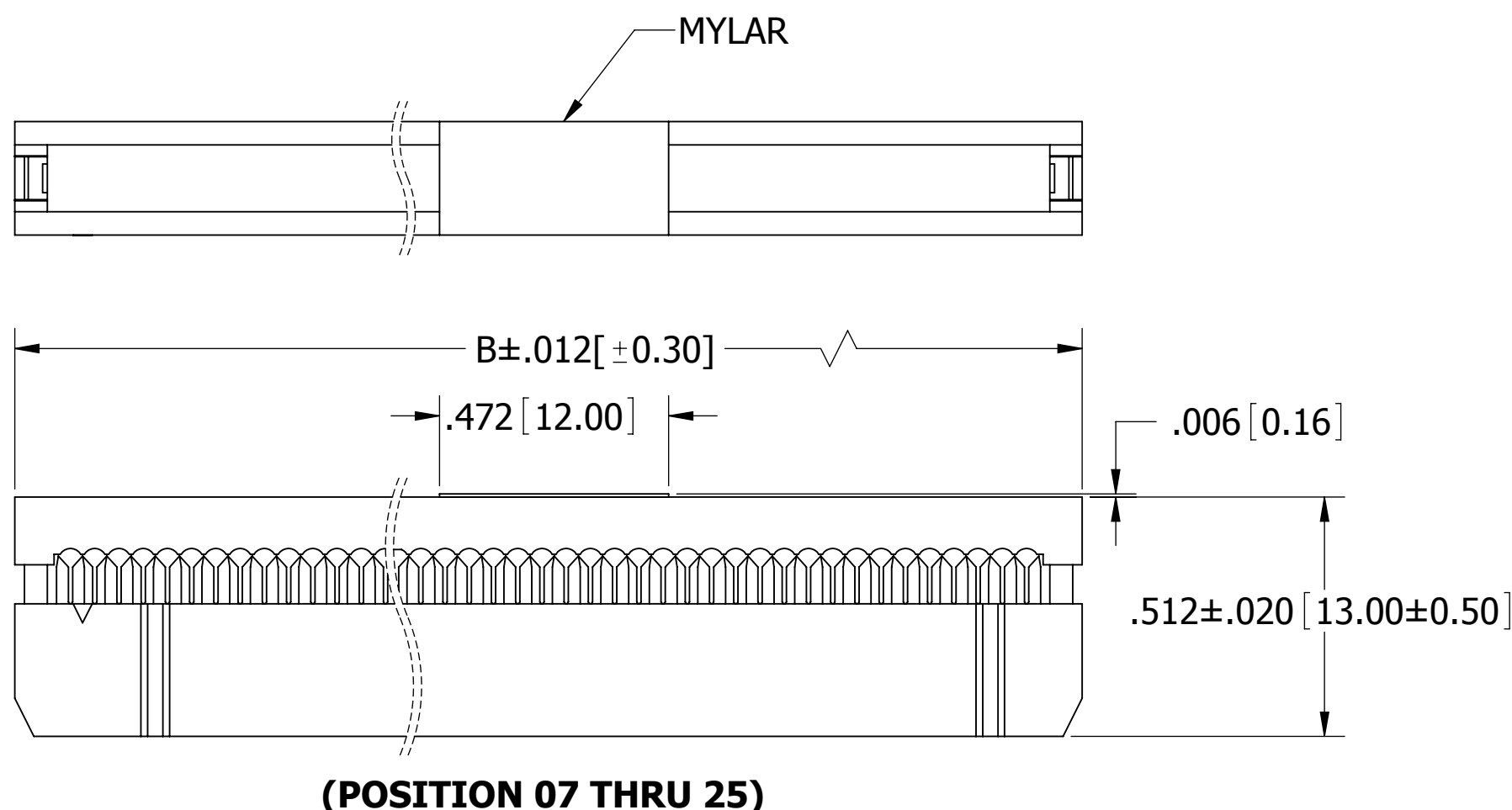
(SEE PLATING TABLE)

PLATING TABLE

CONTACT SURFACE	TERMINATION
P = GOLD FLASH	GOLD FLASH
V = GOLD FLASH	NICKEL
K = .000015" GOLD	NICKEL
J = .000015" GOLD	GOLD FLASH
E = .000100" PURE TIN, MATTE	.000100" PURE TIN, MATTE

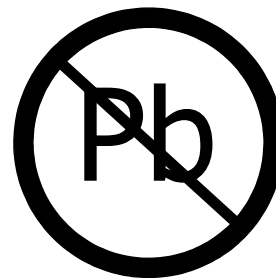
REVISIONS

REV.	ECO. NO	DESCRIPTION	DATE	BY
C	2159	UPDATE NOTE 10 FOR FLAT RIBBON CABLE SPEC.	07/05/2010	LH
D	2818	UPDATE POSITION 04 FRONT VIEW	02/18/2014	LH
E	3374	UPDATE POSITION 03 VIEW	02/01/2016	LH



- NOTES:**
- INSULATOR MATERIAL: PBT 30% GLASS FIBER.
 - CONTACT MATERIAL: PHOSPHOR BRONZE.
 - OPERATING TEMPERATURE: -40 °C TO +105 °C.
 - UL FLAMMABILITY RATING: 94V-0.
 - CURRENT RATING: 1 AMP PER CONTACT.
 - INSULATION RESISTANCE: 3,000 MEGOHMS MIN.
 - CONTACT RESISTANCE: 30 MILLIOHMS MAX.
 - DIELECTRIC WITHSTANDING: 500 V AC.
 - MATES WITH SBH11 SERIES
 - FOR .050" [1.27mm] PITCH FLAT RIBBON CABLE, 26 - 28 AWG WIRE RANGE.
 - M208 DENOTES PART WITHOUT POLARIZING KEY, WITH MYLAR, TAPE & REEL.

PART NUMBER	POSITIONS/ CONTACTS	A		B	
		INCH	MM	INCH	MM
SFH210-PP_C-D03-ID-BK-M208	03/06	0.200	5.08	0.480	12.18
SFH210-PP_C-D04-ID-BK-M208	04/08	0.300	7.62	0.580	14.72
SFH210-PP_C-D05-ID-BK-M208	05/10	0.400	10.16	0.680	17.26
SFH210-PP_C-D06-ID-BK-M208	06/12	0.500	12.70	0.780	19.80
SFH210-PP_C-D07-ID-BK-M208	07/14	0.600	15.24	0.880	22.34
SFH210-PP_C-D08-ID-BK-M208	08/16	0.700	17.78	0.980	24.88
SFH210-PP_C-D09-ID-BK-M208	09/18	0.800	20.32	1.080	27.42
SFH210-PP_C-D10-ID-BK-M208	10/20	0.900	22.86	1.180	29.96
SFH210-PP_C-D12-ID-BK-M208	12/24	1.100	27.94	1.380	35.04
SFH210-PP_C-D13-ID-BK-M208	13/26	1.200	30.48	1.480	37.58
SFH210-PP_C-D15-ID-BK-M208	15/30	1.400	35.56	1.680	42.66
SFH210-PP_C-D17-ID-BK-M208	17/34	1.600	40.64	1.880	47.74
SFH210-PP_C-D20-ID-BK-M208	20/40	1.900	48.26	2.180	55.36
SFH210-PP_C-D25-ID-BK-M208	25/50	2.400	60.96	2.680	68.06



RoHS COMPLIANT

UNLESS OTHERWISE SPECIFIED:
DIMENSIONS ARE IN INCHES [MM]

TOLERANCES:
ANGULAR:
DECIMALS
.XX = ± .012 [3]
.XXX = ± .008 [20]
.XXXX = ± .0040 [100]

DRAWN	DATE	NAME
	03/17/2009	JH
THE INFORMATION HEREIN CONTAINS PROPRIETARY INFORMATION OF SULLINS ELECTRONICS AND IS NOT TO BE REPRODUCED, USED OR DISCLOSED TO OTHERS FOR ANY PURPOSE EXCEPT AS SPECIFICALLY AUTHORIZED IN WRITING BY AN OFFICER OF SULLINS ELECTRONICS.		

SULLINS
CONNECTOR SOLUTIONS

TITLE: IDC SOCKET, .100" CC/RS

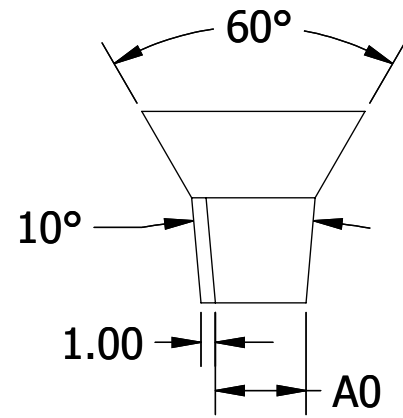
PART NUMBER: SFH210-PP_C-D_-ID-BK-M208

SIZE: C CAGE CODE: 54453 DWG. NO.: 11225 REV: E

SCALE: 2:1 SHEET 1 OF 2

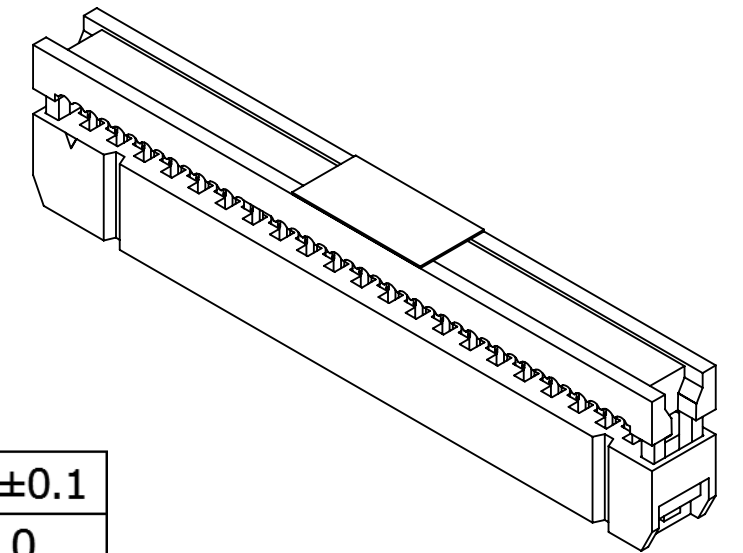
Notes:

1. 10 sprocket hole pitch cumulative tolerance $\pm 0.2\text{mm}$.
2. Carrier camber is 1mm in 100mm.
3. A0 and B0 measured on a plane 0.3mm above the bottom of the pocket.
4. K0 measured from a plane on the inside bottom of the pocket to the top surface of the carrier.
5. All dimensions meet EIA-481-2 requirements.
6. One $\phi 13"$ reel = 5.5 meters (tape overall length), 250 pieces.

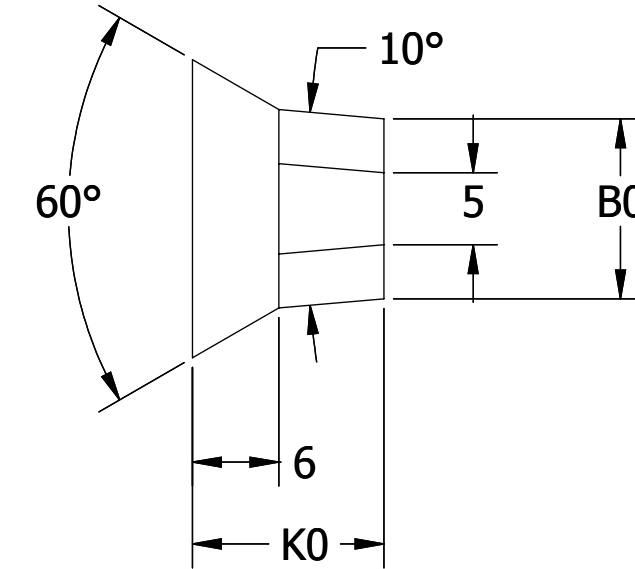
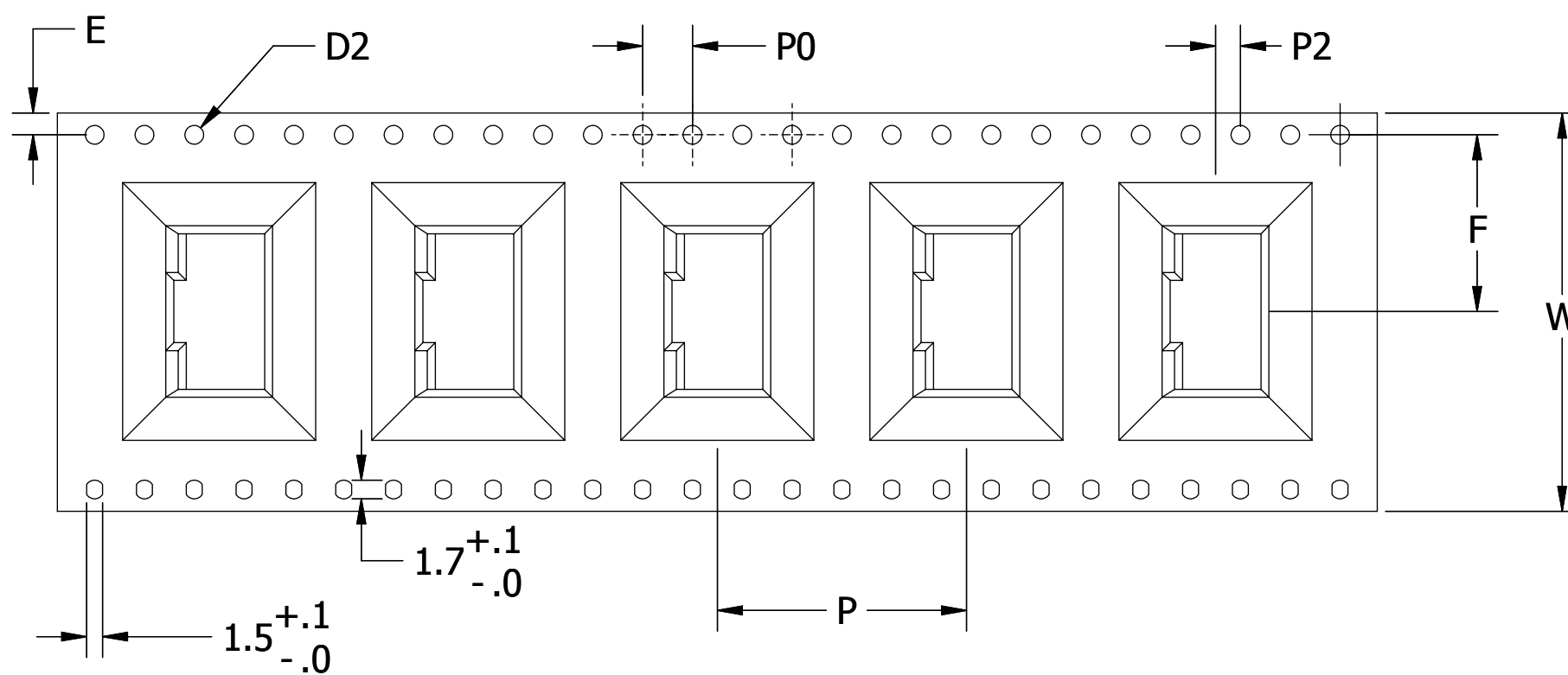


DEVICE TYPE: SFH210-PP_C-D_-ID-BK-M208 T&R

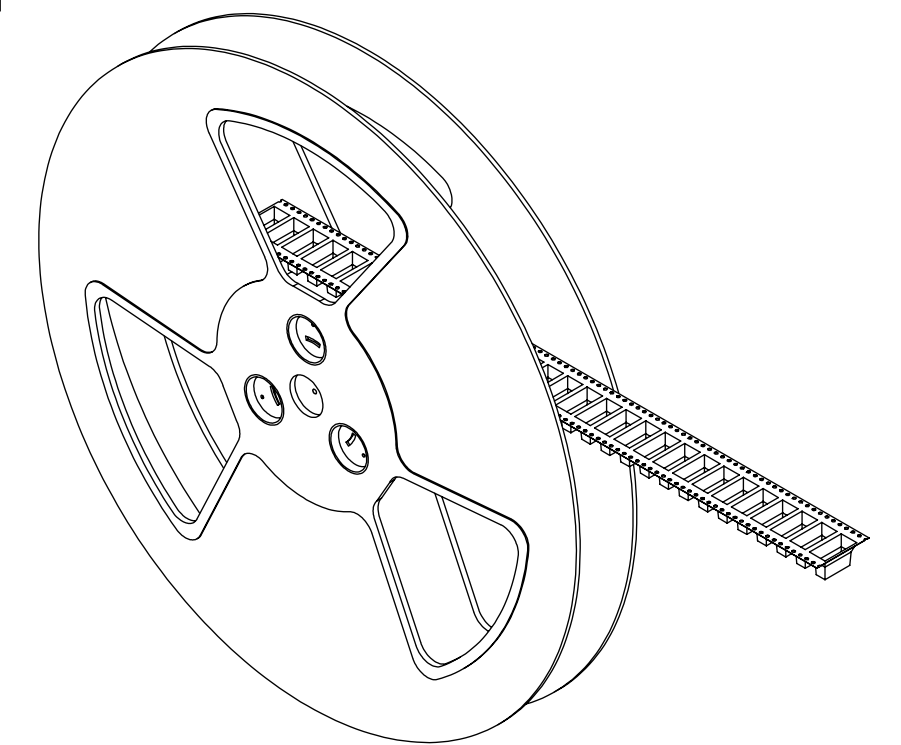
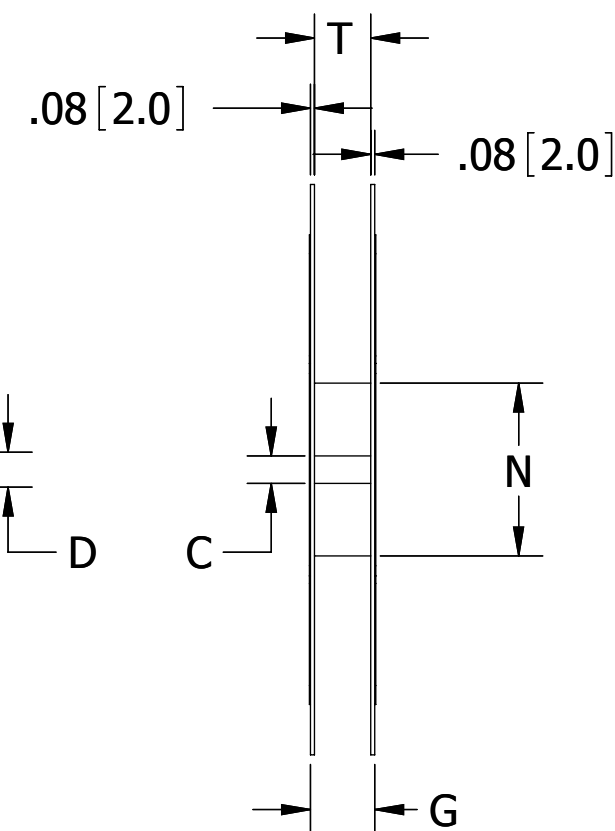
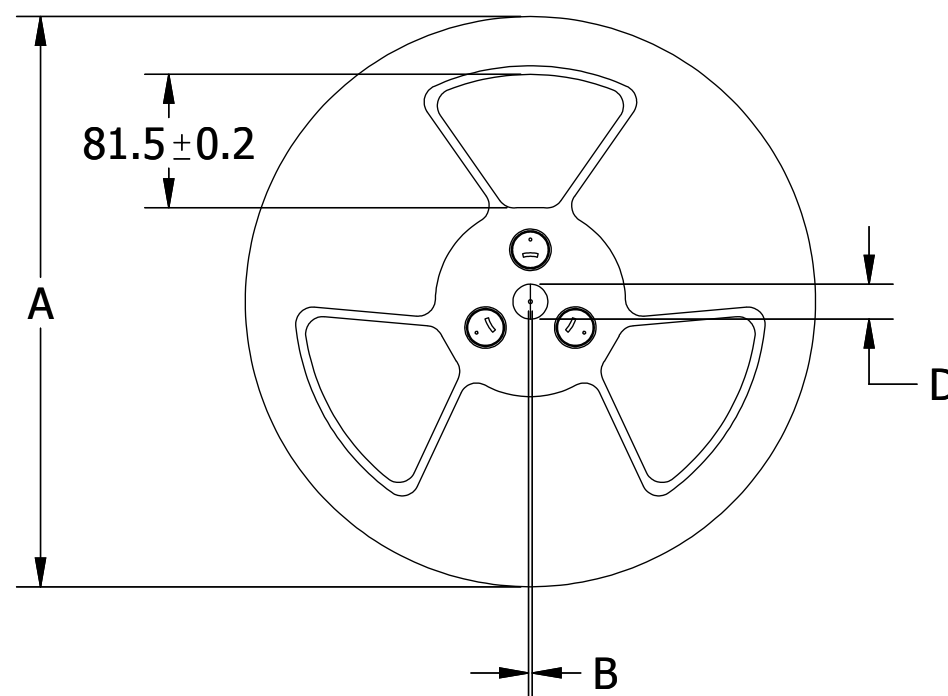
DIMENSIONS (unit: mm)	A0 ± 0.1	K0 ± 0.1	P ± 0.1	E ± 0.1	D2 +0.1/-0.0	P0 ± 0.1	P2 ± 0.1
	6.3	13.3	20	1.75	1.5	4.0	2.0



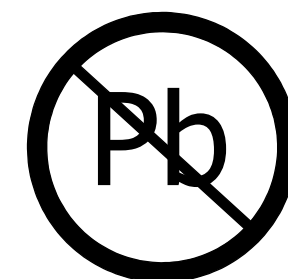
POSITIONS/ CONTACTS	DIMENSIONS (unit: mm)		
	W	B0	F
03/06	32	12.5	14.2
04/08	32	15.0	14.2
05/10	44	17.6	20.2
06/12	44	20.3	20.2
07/14	44	22.6	20.2
08/16	44	25.2	20.2
09/18	56	27.7	26.2
10/20	56	30.3	26.2
12/24	56	35.3	26.2
13/26	56	37.9	26.2
15/30	72	43.0	34.2
17/34	72	48.0	34.2
20/40	88	55.7	42.2
25/50	88	68.4	42.2



DIMENSIONS (unit: mm)							CARRIER TAPE
A	B ± 0.5	C ± 0.2	D ± 1.0	N ± 1.0	T ± 0.1	G ± 0.1	W
330	2.2	13	20.2	100	8.5	13.1	8
330	2.2	13	20.2	100	12.5	17.1	12
330	2.2	13	20.2	100	17.0	21.1	16
330	2.2	13	20.2	100	24.5	29.1	24
330	2.2	13	20.2	100	32.5	37.0	32
330	2.2	13	20.2	100	44.5	49.1	44
330	2.2	13	20.2	100	56.5	61.1	56
330	2.2	13	20.2	100	72.5	77.1	72
330	2.2	13	20.2	100	88.5	93.1	88



Dimension Unit: mm



RoHS COMPLIANT

UNLESS OTHERWISE SPECIFIED: DIMENSIONS ARE IN INCHES [MM]		DRAWN	DATE	NAME	
TOLERANCES:			03/17/2009	JH	
ANGULAR:		<small>THE INFORMATION HEREIN CONTAINS PROPRIETARY INFORMATION OF SULLINS ELECTRONICS AND IS NOT TO BE REPRODUCED, USED OR DISCLOSED TO OTHERS FOR ANY PURPOSE EXCEPT AS SPECIFICALLY AUTHORIZED IN WRITING BY AN OFFICER OF SULLINS ELECTRONICS.</small>			TITLE
DECIMALS					IDC SOCKET, .100" CC/RS PART NUMBER SFH210-PP_C-D_-ID-BK-M208
.XX = $\pm .012$ [3]		SIZE	CAGE CODE	DWG. NO.	REV
.XXX = $\pm .008$ [20]		C	54453	11225	E
.XXXX = $\pm .0040$ [100]		SCALE: 2:1	SHEET 2 OF 2		