



Chipsmall Limited consists of a professional team with an average of over 10 year of expertise in the distribution of electronic components. Based in Hongkong, we have already established firm and mutual-benefit business relationships with customers from,Europe,America and south Asia,supplying obsolete and hard-to-find components to meet their specific needs.

With the principle of "Quality Parts,Customers Priority,Honest Operation,and Considerate Service",our business mainly focus on the distribution of electronic components. Line cards we deal with include Microchip,ALPS,ROHM,Xilinx,Pulse,ON,Everlight and Freescale. Main products comprise IC,Modules,Potentiometer,IC Socket,Relay,Connector.Our parts cover such applications as commercial,industrial, and automotives areas.

We are looking forward to setting up business relationship with you and hope to provide you with the best service and solution. Let us make a better world for our industry!



Contact us

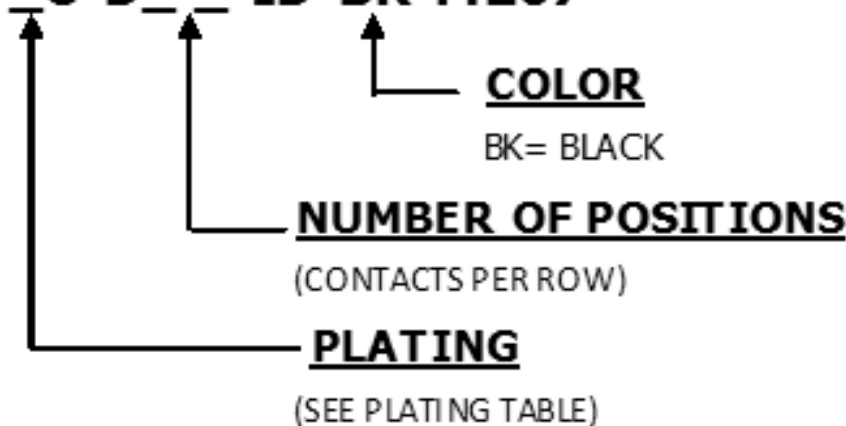
Tel: +86-755-8981 8866 Fax: +86-755-8427 6832

Email & Skype: info@chipsmall.com Web: www.chipsmall.com

Address: A1208, Overseas Decoration Building, #122 Zhenhua RD., Futian, Shenzhen, China

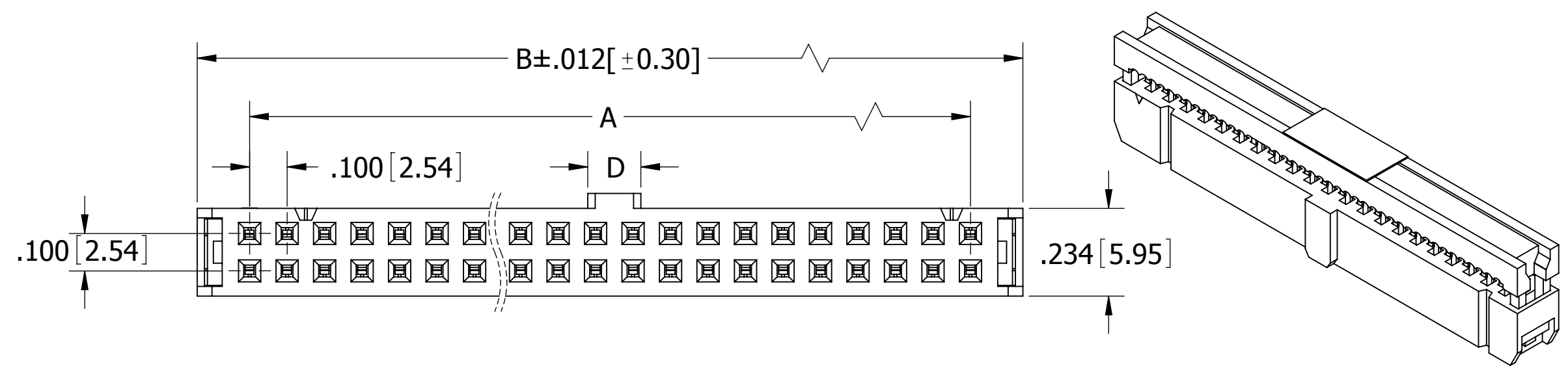
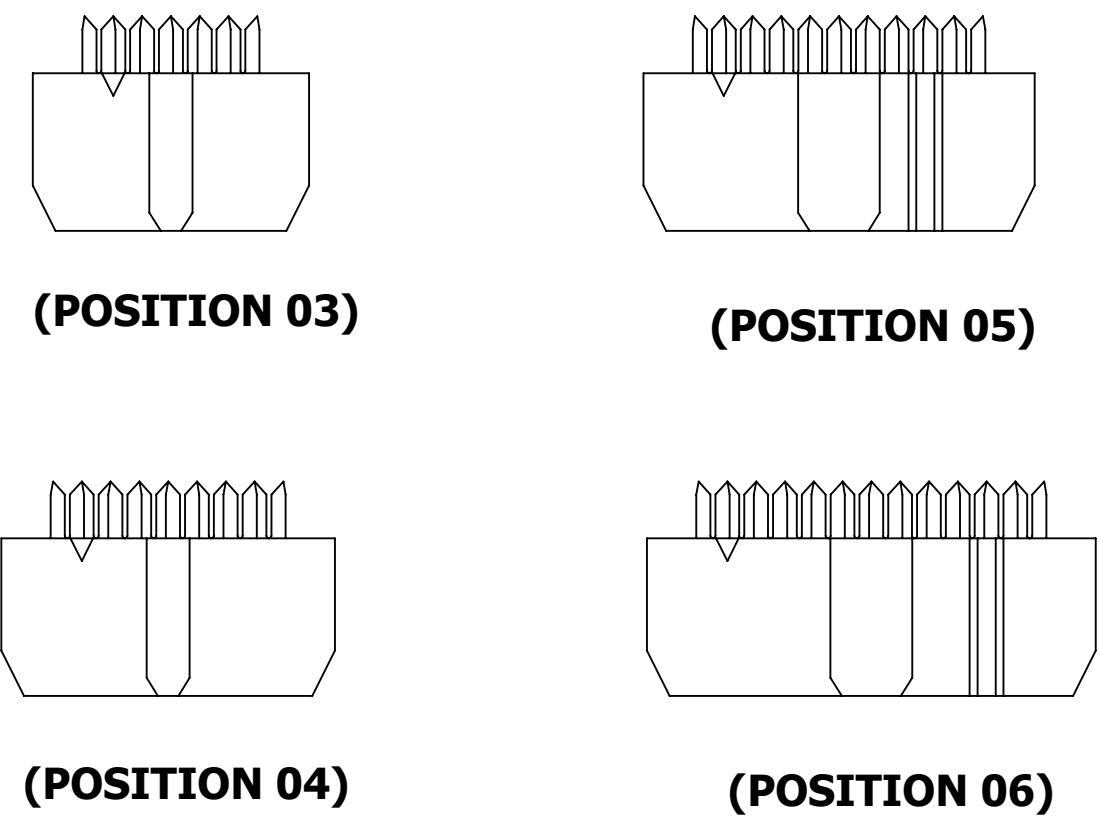
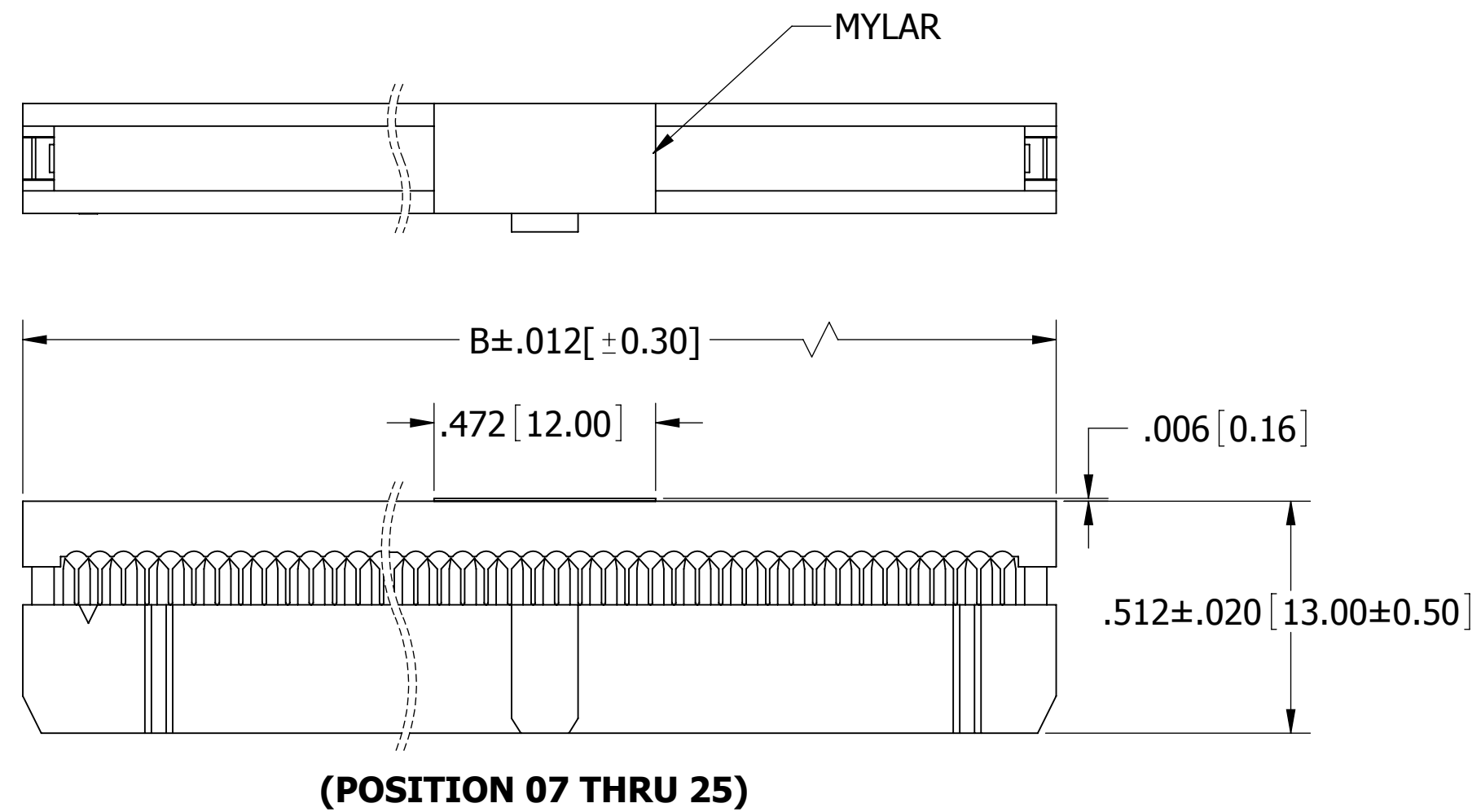


PART NUMBER CODING
SFH210-PP_C-D_-ID-BK-M207



PLATING TABLE	
CONTACT SURFACE	TERMINATION
P = GOLD FLASH	GOLD FLASH
V = GOLD FLASH	NICKEL
K = .000015" GOLD	NICKEL
J = .000015" GOLD	GOLD FLASH
E = .000100" PURE TIN, MATTE	.000100" PURE TIN, MATTE

REVISIONS				
REV.	ECO. NO	DESCRIPTION	DATE	BY
A	1930	INITIAL RELEASE	3/17/2009	JH
B	2020	CORRECT TEXT LETTER "W" (WAS "A") IN TAPE DIMENSION TABLE ON SHEET 2	10/08/09	LH
C	2159	UPDATE NOTE 10 FLAT RIBBON CABLE SPEC.	07/05/2010	LH



PART NUMBER	POSITIONS/ CONTACTS	A		B		D	
		INCH	MM	INCH	MM	INCH	MM
SFH210-PP_C-D03-ID-BK-M207	03/06	0.200	5.08	0.480	12.18	0.075	1.90
SFH210-PP_C-D04-ID-BK-M207	04/08	0.300	7.62	0.580	14.72		
SFH210-PP_C-D05-ID-BK-M207	05/10	0.400	10.16	0.680	17.26	0.142	3.60
SFH210-PP_C-D06-ID-BK-M207	06/12	0.500	12.70	0.780	19.80		
SFH210-PP_C-D07-ID-BK-M207	07/14	0.600	15.24	0.880	22.34		
SFH210-PP_C-D08-ID-BK-M207	08/16	0.700	17.78	0.980	24.88		
SFH210-PP_C-D09-ID-BK-M207	09/18	0.800	20.32	1.080	27.42		
SFH210-PP_C-D10-ID-BK-M207	10/20	0.900	22.86	1.180	29.96		
SFH210-PP_C-D12-ID-BK-M207	12/24	1.100	27.94	1.380	35.04		
SFH210-PP_C-D13-ID-BK-M207	13/26	1.200	30.48	1.480	37.58		
SFH210-PP_C-D15-ID-BK-M207	15/30	1.400	35.56	1.680	42.66		
SFH210-PP_C-D17-ID-BK-M207	17/34	1.600	40.64	1.880	47.74		
SFH210-PP_C-D20-ID-BK-M207	20/40	1.900	48.26	2.180	55.36		
SFH210-PP_C-D25-ID-BK-M207	25/50	2.400	60.96	2.680	68.06		

- NOTES:**
- INSULATOR MATERIAL: PBT 30% GLASS FIBER.
 - CONTACT MATERIAL: PHOSPHOR BRONZE.
 - OPERATING TEMPERATURE: -40°C TO +105°C.
 - UL FLAMMABILITY RATING: 94V-0.
 - CURRENT RATING: 1 AMP PER CONTACT.
 - INSULATION RESISTANCE: 3,000 MEGOHMS MIN.
 - CONTACT RESISTANCE: 30 MILLIOHMS MAX.
 - DIELECTRIC WITHSTANDING: 500 VAC.
 - MATES WITH SBH11 SERIES
 - FOR .050"[1.27mm] PITCH FLAT RIBBON CABLE, 26 - 28 AWG WIRE RANGE.
 - M207 DENOTES PART WITH MYLAR, TAPE & REEL.



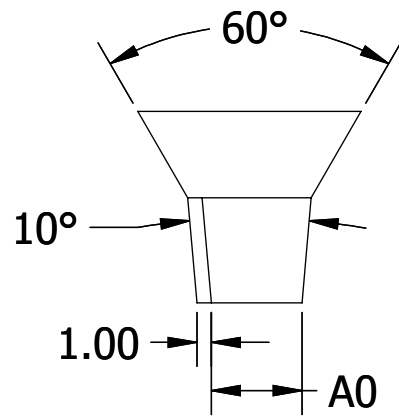
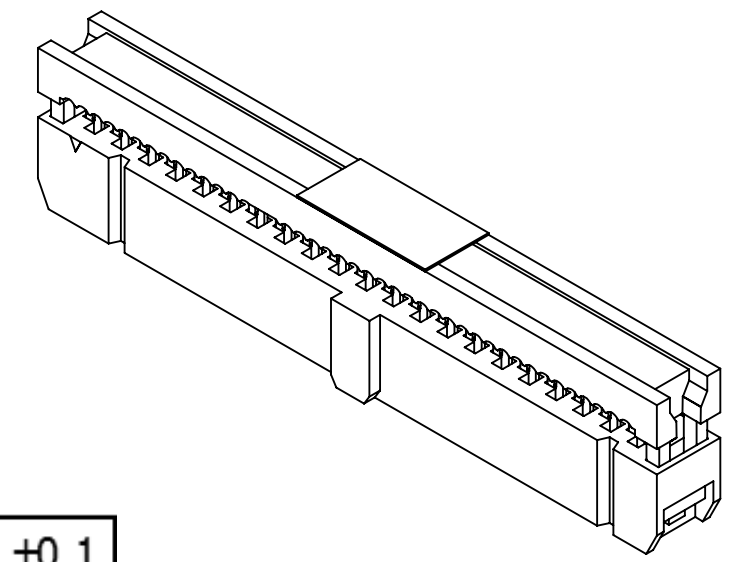
UNLESS OTHERWISE SPECIFIED:
 DIMENSIONS ARE IN INCHES[MM]
 TOLERANCES:
 ANGULAR: ± 30°
 .XX=± .01 [.3]
 .XXX=± .008 [.20]
 .XXXX=± .0040 [.100]

INTERPRET DIMENSIONS AND GEOMETRIC TOLERANCING PER: ASME Y14.5M-2009

DRAWN	4/7/2009	JH	DATE	NAME
THE INFORMATION HEREIN CONTAINS PROPRIETARY INFORMATION OF SULLINS ELECTRONICS AND IS NOT TO BE REPRODUCED, USED OR DISCLOSED TO OTHERS FOR ANY PURPOSE EXCEPT AS SPECIFICALLY AUTHORIZED IN WRITING BY AN OFFICER OF SULLINS ELECTRONICS.				
SULLINS CONNECTOR SOLUTIONS			DESCRIPTION IDC SOCKET, .100" CC/RS	
PART NUMBER SFH210-PP_C-D_-ID-BK-M207			SIZE DWG. NO. C 11224	
SCALE: 2:1			REV C	
SHEET 1 OF 2				

Notes:

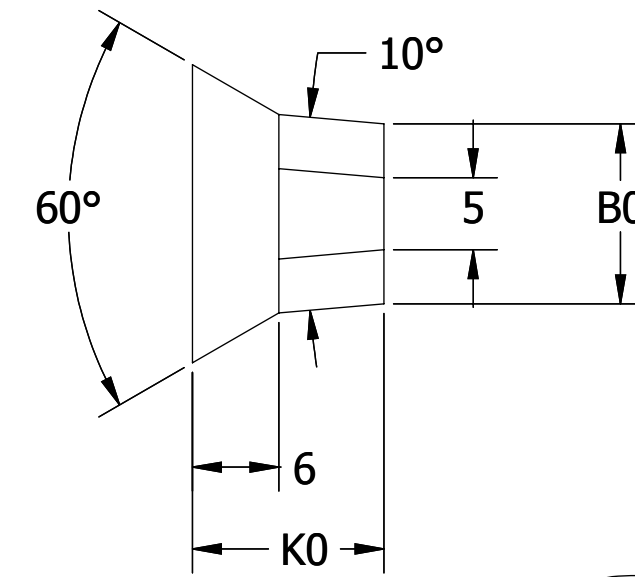
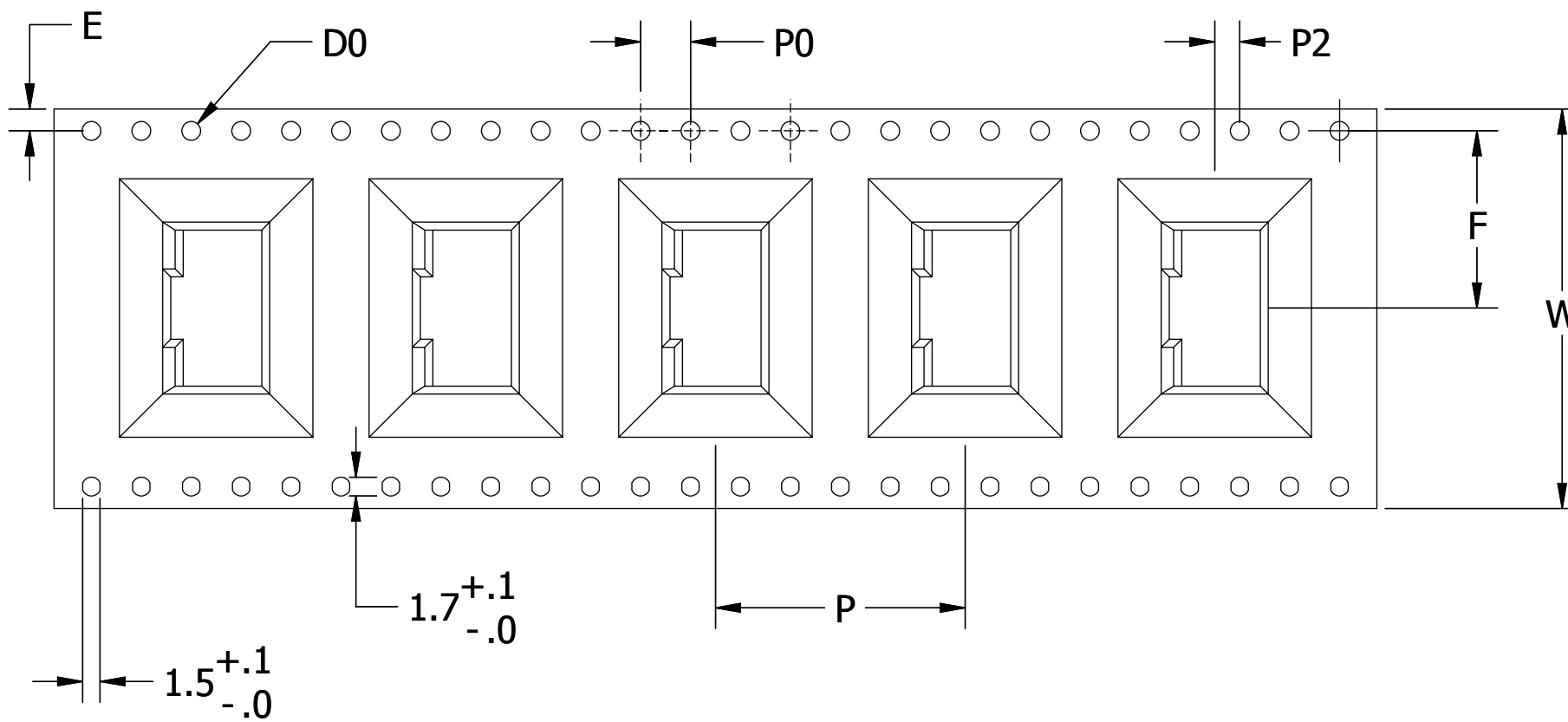
1. 10 sprocket hole pitch cumulative tolerance $\pm 0.2\text{mm}$.
2. Carrier camber is 1mm in 100mm.
3. A0 and B0 measured on a plane 0.3mm above the bottom of the pocket.
4. K0 measured from a plane on the inside bottom of the pocket to the top surface of the carrier.
5. All dimensions meet EIA-481-2 requirements.
6. One $\phi 13"$ reel = 5.5 meters (tape overall length), 250 pieces.



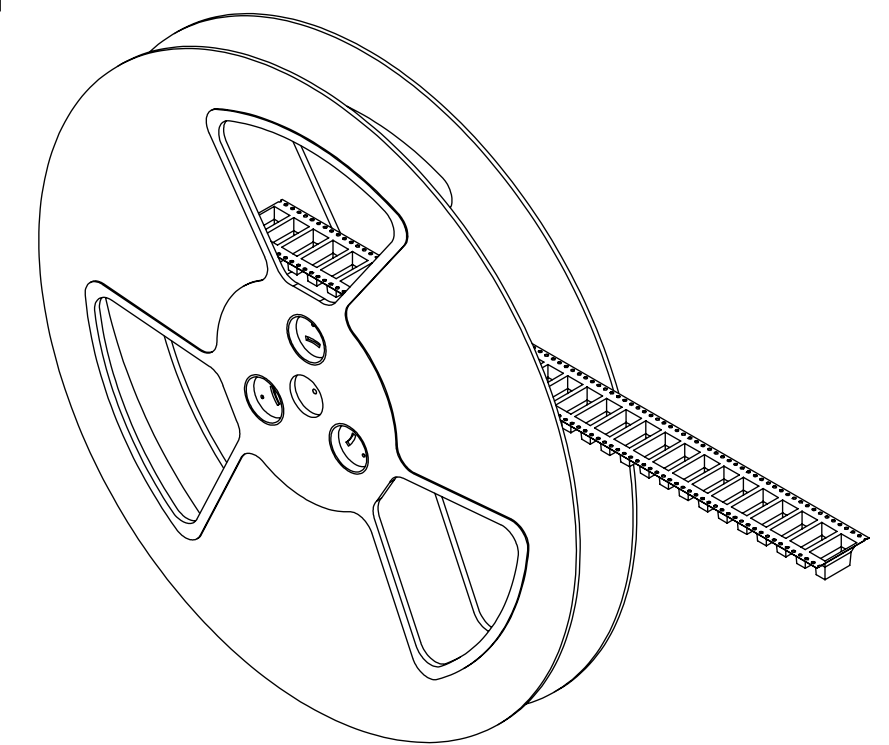
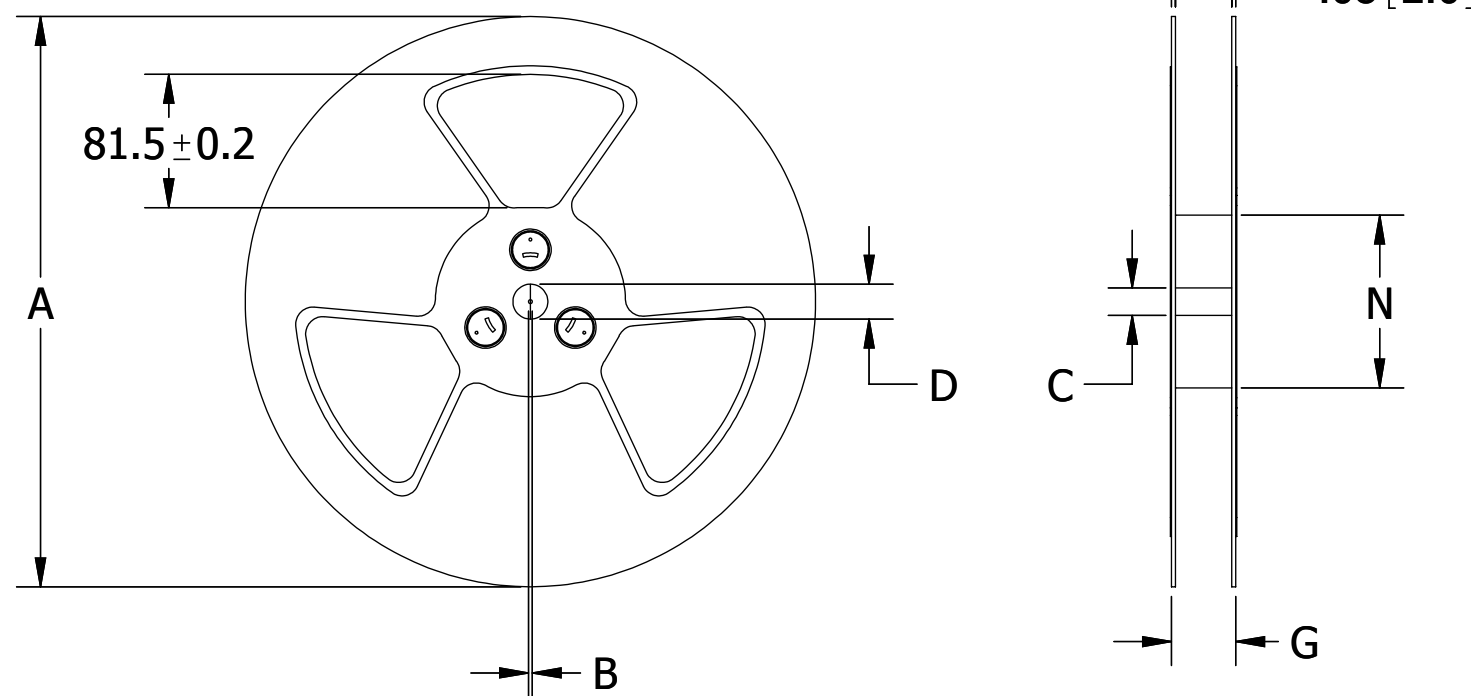
DEVICE TYPE: SFH210-PP_C-D_-ID-BK-M207 T&R

DIMENSIONS (unit: mm)	A0 ± 0.1	K0 ± 0.1	P ± 0.1	E ± 0.1	D0 $+0.1/-0.0$	P0 ± 0.1	P2 ± 0.1
	6.3	13.3	20	1.75	1.5	4.0	2.0

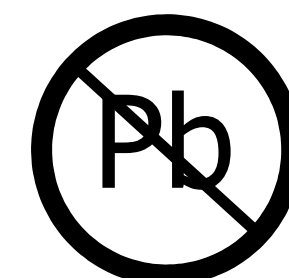
POSITIONS/ CONTACTS	DIMENSIONS (unit: mm)		
	W	B0	F
03/06	32	12.5	14.2
04/08	32	15.0	14.2
05/10	44	17.6	20.2
06/12	44	20.3	20.2
07/14	44	22.6	20.2
08/16	44	25.2	20.2
09/18	56	27.7	26.2
10/20	56	30.3	26.2
12/24	56	35.3	26.2
13/26	56	37.9	26.2
15/30	72	43.0	34.2
17/34	72	48.0	34.2
20/40	88	55.7	42.2
25/50	88	68.4	42.2



DIMENSIONS (unit: mm)								CARRIER TAPE
A	B ± 0.5	C ± 0.2	D ± 1.0	N ± 1.0	T ± 0.1	G ± 0.1	W	
330	2.2	13	20.2	100	8.5	13.1	8	
330	2.2	13	20.2	100	12.5	17.1	12	
330	2.2	13	20.2	100	17.0	21.1	16	
330	2.2	13	20.2	100	24.5	29.1	24	
330	2.2	13	20.2	100	32.5	37.0	32	
330	2.2	13	20.2	100	44.5	49.1	44	
330	2.2	13	20.2	100	56.5	61.1	56	
330	2.2	13	20.2	100	72.5	77.1	72	
330	2.2	13	20.2	100	88.5	93.1	88	



Dimension Unit: mm



RoHS COMPLIANT

SULLINS CONNECTOR SOLUTIONS		
DESCRIPTION IDC SOCKET, .100" CC/RS		
PART NUMBER SFH210-PP_C-D_-ID-BK-M207		
SIZE C	DWG. NO. 11224	REV C
SCALE: NTS		SHEET 2 OF 2