



Chipsmall Limited consists of a professional team with an average of over 10 year of expertise in the distribution of electronic components. Based in Hongkong, we have already established firm and mutual-benefit business relationships with customers from,Europe,America and south Asia,supplying obsolete and hard-to-find components to meet their specific needs.

With the principle of “Quality Parts,Customers Priority,Honest Operation,and Considerate Service”,our business mainly focus on the distribution of electronic components. Line cards we deal with include Microchip,ALPS,ROHM,Xilinx,Pulse,ON,Everlight and Freescale. Main products comprise IC,Modules,Potentiometer,IC Socket,Relay,Connector.Our parts cover such applications as commercial,industrial, and automotives areas.

We are looking forward to setting up business relationship with you and hope to provide you with the best service and solution. Let us make a better world for our industry!



Contact us

Tel: +86-755-8981 8866 Fax: +86-755-8427 6832

Email & Skype: info@chipsmall.com Web: www.chipsmall.com

Address: A1208, Overseas Decoration Building, #122 Zhenhua RD., Futian, Shenzhen, China



SFH615A



DESCRIPTION

The SFH615A series of optically coupled isolators each consists of an infrared light emitting diode and an NPN silicon photo transistor in a space efficient Dual In Line Plastic Package.

FEATURES

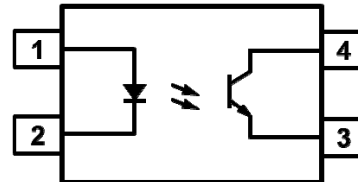
- AC Isolation Voltage 5300V_{RMS}
- Low Input Current I_F 1mA
- High Current Transfer Ratios
- Wide Operating Temperature Range
-55°C to +110°C
- Lead Free and RoHS Compliant
- UL File E91231 Package Code "EE"
- VDE Approval Certificate No. 40028086

APPLICATIONS

- Computer Terminals
- Industrial System Controllers
- Measuring Instruments

ORDER INFORMATION

- Add X after PN for VDE Approval
- Add G after PN for 10mm lead spacing
- Add SM after PN for Surface Mount
- Add SMT&R after PN for Surface Mount Tape & Reel



- 1 Anode
- 2 Cathode
- 3 Emitter
- 4 Collector

ABSOLUTE MAXIMUM RATINGS (T_A = 25°C)

Stresses exceeding the absolute maximum ratings can cause permanent damage to the device. Exposure to absolute maximum ratings for long periods of time can adversely affect reliability.

Input

Forward Current	50mA
Reverse Voltage	6V
Power dissipation	70mW

Output

Collector to Emitter Voltage V _{CEO}	70V
Emitter to Collector Voltage V _{ECO}	6V
Collector Current	50mA
Power Dissipation	150mW

Total Package

Isolation Voltage	5300V _{RMS}
Total Power Dissipation	200mW
Operating Temperature	-55 to 110 °C
Storage Temperature	-55 to 125 °C
Lead Soldering Temperature (10s)	260°C

ISOCOM COMPONENTS 2004 LTD

Unit 25B, Park View Road West, Park View Industrial Estate
Hartlepool, Cleveland, TS25 1PE, United Kingdom
Tel : +44 (0)1429 863 609 Fax : +44 (0)1429 863 581
e-mail : sales@isocom.co.uk
<http://www.isocom.com>

ISOCOM COMPONENTS ASIA LTD

Hong Kong Office
Block A, 8/F, Wah Hing Industrial Mansion
36 Tai Yau Street, San Po Kong, Kowloon, Hong Kong
Tel : +852 2995 9217 Fax : +852 8161 6292
e-mail : sales@isocom.com.hk

SFH615A

ELECTRICAL CHARACTERISTICS (Ambient Temperature = 25°C unless otherwise specified)

INPUT

Parameter	Symbol	Test Condition	Min	Typ.	Max	Unit
Forward Voltage	V_F	$I_F = 20\text{mA}$		1.2	1.4	V
Reverse Leakage	I_R	$V_R = 4\text{V}$			10	μA
Terminal Capacitance	C_t	$V = 0\text{V}, f = 1\text{KHz}$		30	250	pF

OUTPUT

Parameter	Symbol	Test Condition	Min	Typ.	Max	Unit
Collector–Emitter Breakdown Voltage	BV_{CEO}	$I_C = 0.1\text{mA}, I_F = 0\text{mA}$	70			V
Emitter–Collector Breakdown Voltage	BV_{ECO}	$I_E = 10\mu\text{A}, I_F = 0\text{mA}$	6			V
Collector–Emitter Dark Current	I_{CEO}	$V_{CE} = 20\text{V}, I_F = 0\text{mA}$			100	nA



SFH615A

ELECTRICAL CHARACTERISTICS (Ambient Temperature = 25°C unless otherwise specified)

COUPLED

Parameter	Symbol	Test Condition	Min	Typ.	Max	Unit	
Current Transfer Ratio	CTR	$I_F = 10\text{mA}, V_{CE} = 5\text{V}$				%	
		SFH615A-1	40		80		
		SFH615A-2	63		125		
		SFH615A-3	100		200		
		SFH615A-4	160		320		
		$I_F = 1\text{mA}, V_{CE} = 5\text{V}$					
		SFH615A-1	13				
		SFH615A-2	22				
Collector–Emitter Saturation Voltage	$V_{CE(sat)}$	$I_F = 20\text{mA}, I_C = 1\text{mA}$		0.1	0.2	V	
Floating Capacitance	C_f	$V = 0\text{V}, f = 1\text{MHz}$		0.6	1	pF	
Cut-Off Frequency	f_c	$V_{CE} = 5\text{V}, I_C = 2\text{mA}, R_L = 100\Omega, -3\text{dB}$		80		kHz	



SFH615A

ELECTRICAL CHARACTERISTICS (Ambient Temperature = 25°C unless otherwise specified)

SWITCHING

Parameter	Symbol	Test Condition	Min	Typ.	Max	Unit
NON-SATURATED						
Turn-ON Time	t_{ON}	$V_{CC} = 5V,$ $I_F = 10mA,$ $R_L = 75\Omega$		3.0		μs
Rise Time	t_r			2.0		
Turn-OFF Time	t_{OFF}			2.3		
Fall Time	t_f			2.0		
Cut-off Frequency	f_{CO}				250	
SATURATED $V_{CC} = 5V, R_L = 1k\Omega, V_{CE(sat)} \leq 0.4V$						
Turn-ON Time	t_{ON}	$I_F = 20mA$ SFH615A-1 $I_F = 10mA$ SFH615A-2 $I_F = 10mA$ SFH615A-3 $I_F = 5mA$ SFH615A-4		3.0 4.2 4.2 6.0		μs
Rise Time	t_r	$I_F = 20mA$ SFH615A-1 $I_F = 10mA$ SFH615A-2 $I_F = 10mA$ SFH615A-3 $I_F = 5mA$ SFH615A-4		2.0 3.0 3.0 4.6		
Turn-OFF Time	t_{OFF}	$I_F = 20mA$ SFH615A-1 $I_F = 10mA$ SFH615A-2 $I_F = 10mA$ SFH615A-3 $I_F = 5mA$ SFH615A-4		18 23 23 25		
Fall Time	t_f	$I_F = 20mA$ SFH615A-1 $I_F = 10mA$ SFH615A-2 $I_F = 10mA$ SFH615A-3 $I_F = 5mA$ SFH615A-4		11 14 14 15		

ISOLATION

Parameter	Symbol	Test Condition	Min	Typ.	Max	Unit
Input to Output Isolation Voltage	V_{ISO}	AC 1 minute, RH = 40% to 60% Note 1	5300			V_{RMS}
Input to Output Isolation Resistance	R_{ISO}	$V_{IO} = 500V,$ RH = 40% to 60% Note 1	5×10^{10}	1×10^{11}		Ω

Note 1 : Measure with input leads shorted together and output leads shorted together.

SFH615A

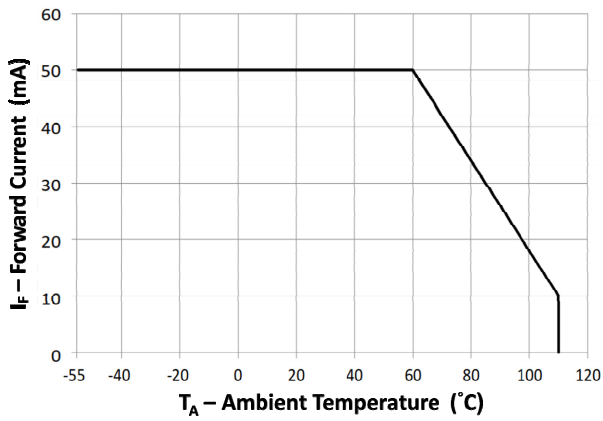


Fig 1 Forward Current vs Ambient Temperature

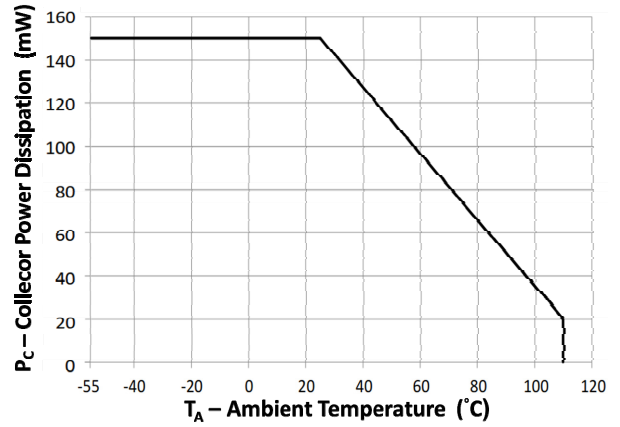


Fig 2 Collector Power Dissipation vs Ambient Temperature

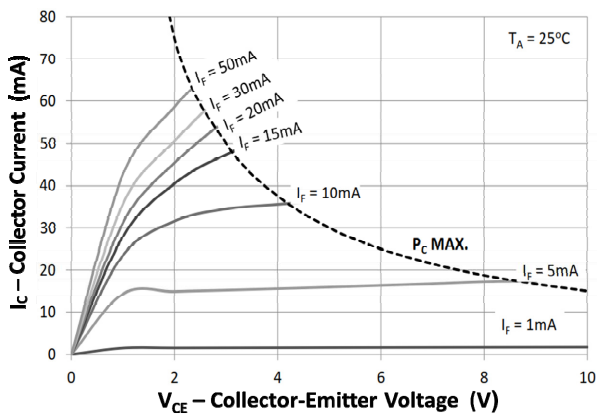


Fig 3 Collector Current vs Collector-Emitter Voltage

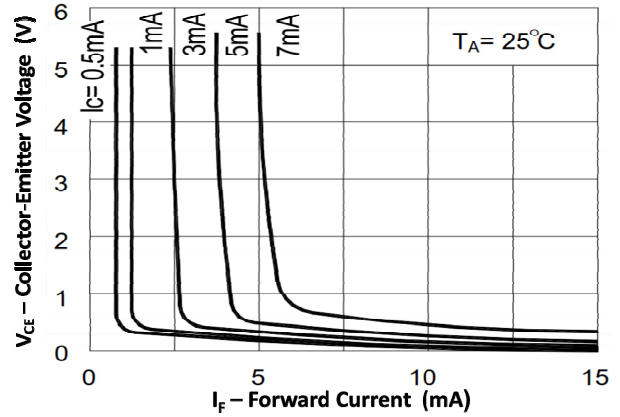


Fig 4 Collector-Emitter Voltage vs Forward Current

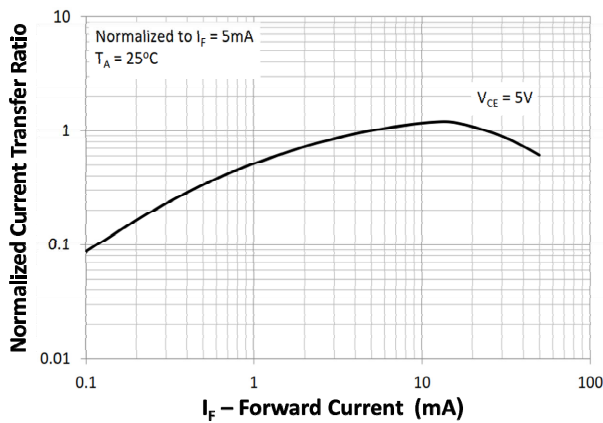


Fig 5 Normalized Current Transfer Ratio vs Forward Current

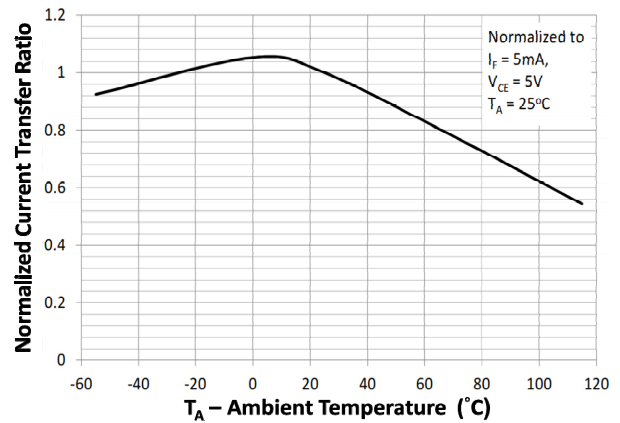


Fig 6 Normalized Current Transfer Ratio vs Ambient Temperature

SFH615A

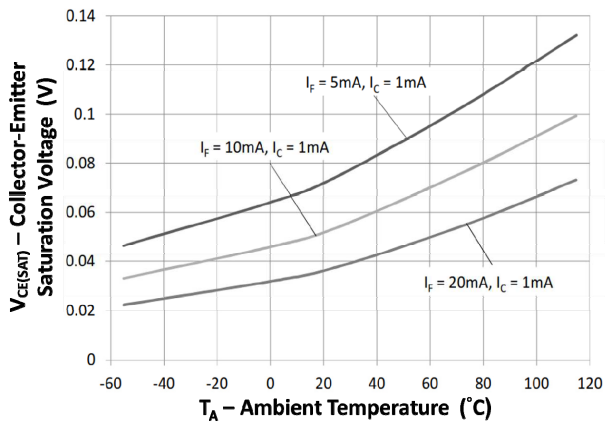


Fig 7 Collector-Emitter Saturation Voltage vs Ambient Temperature

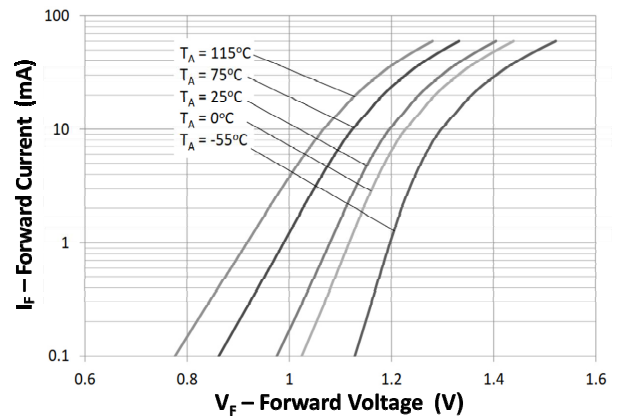


Fig 8 Forward Current vs Forward Voltage

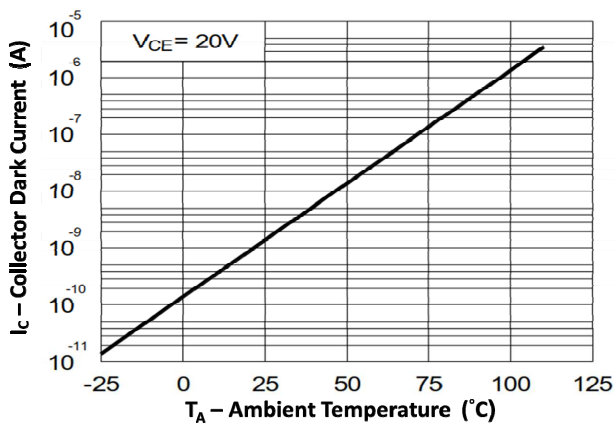


Fig 9 Collector Dark Current vs Ambient Temperature

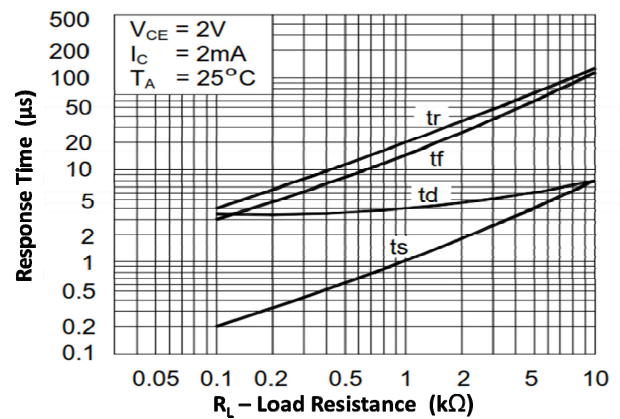


Fig 10 Response Time vs Load Resistance

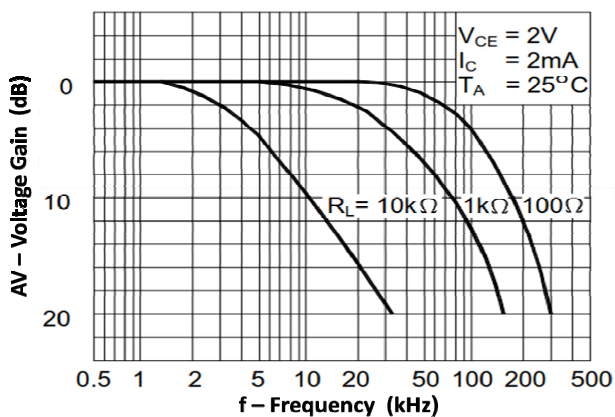
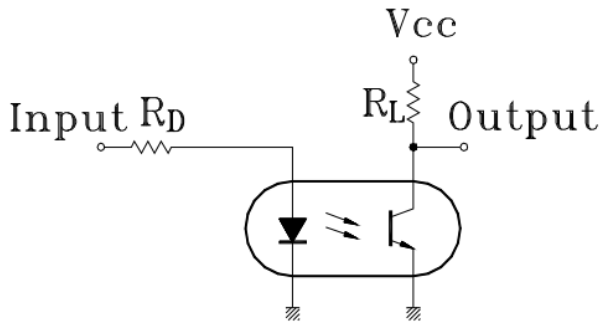
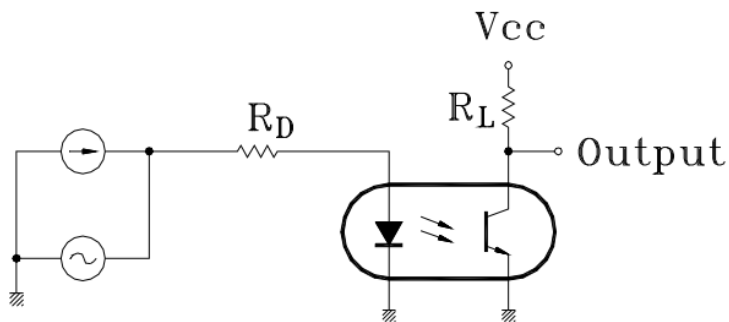
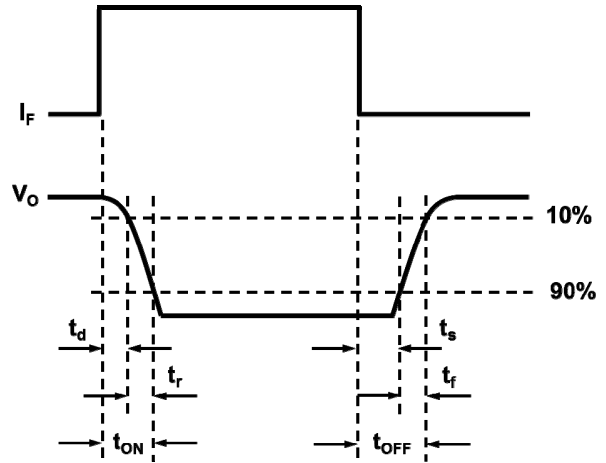


Fig 11 Frequency Response

SFH615A



Response Time Test Circuit and Waveform



Frequency Response Test Circuit

SFH615A

ORDER INFORMATION

SFH615A (UL Approval)			
After PN	PN	Description	Packing quantity
None	SFH615A-1, SFH615A-2, SFH615A-3, SFH615A-4	Standard DIP4	100 pcs per tube
G	SFH615A-1G, SFH615A-2G, SFH615A-3G, SFH615A-4G	10mm Lead Spacing	100 pcs per tube
SM	SFH615A-1SM, SFH615A-2SM, SFH615A-3SM, SFH615A-4SM	Surface Mount	100 pcs per tube
SMT&R	SFH615A-1SMT&R, SFH615A-2SMT&R, SFH615A-3SMT&R, SFH615A-4SMT&R	Surface Mount Tape & Reel	2000 pcs per reel

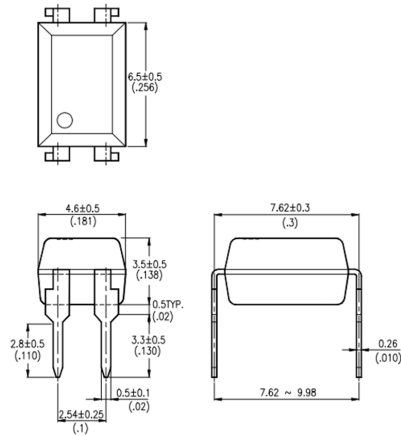
SFH615A (UL and VDE Approvals)			
After PN	PN	Description	Packing quantity
None	SFH615A-1X, SFH615A-2X, SFH615A-3X, SFH615A-4X	Standard DIP8	100 pcs per tube
G	SFH615A-1XG, SFH615A-2XG, SFH615A-3XG, SFH615A-4XG	10mm Lead Spacing	100 pcs per tube
SM	SFH615A-1XSM, SFH615A-2XSM, SFH615A-3XSM, SFH615A-4XSM	Surface Mount	100 pcs per tube
SMT&R	SFH615A-1XSMT&R, SFH615A-2XSMT&R, SFH615A-3XSMT&R, SFH615A-4XSMT&R	Surface Mount Tape & Reel	2000 pcs per reel

SFH615A

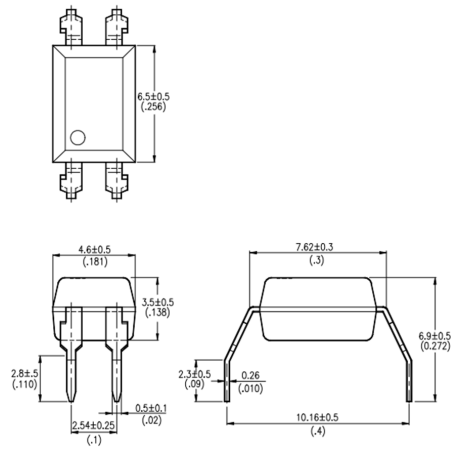
PACKAGE DIMENSIONS in mm (inch)

DIP

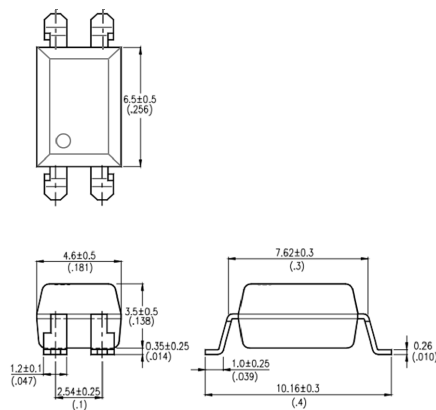
SFH615



SFH615G

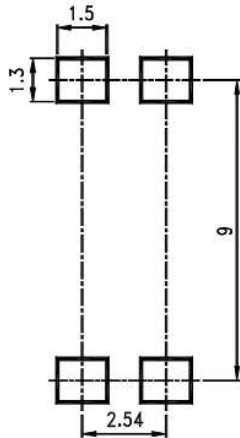


SFH615SM

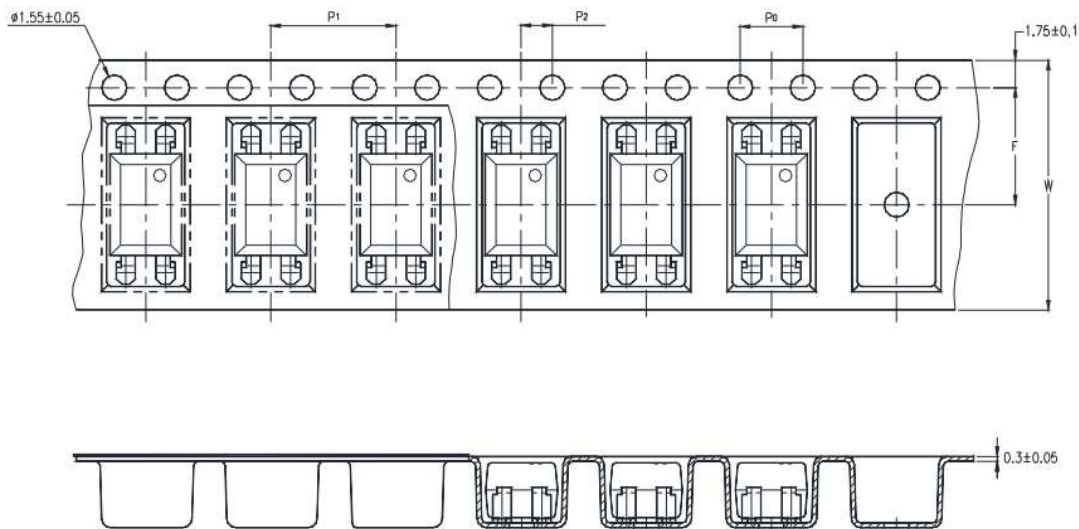


SFH615A

RECOMMENDED PAD LAYOUT FOR SMD (mm)



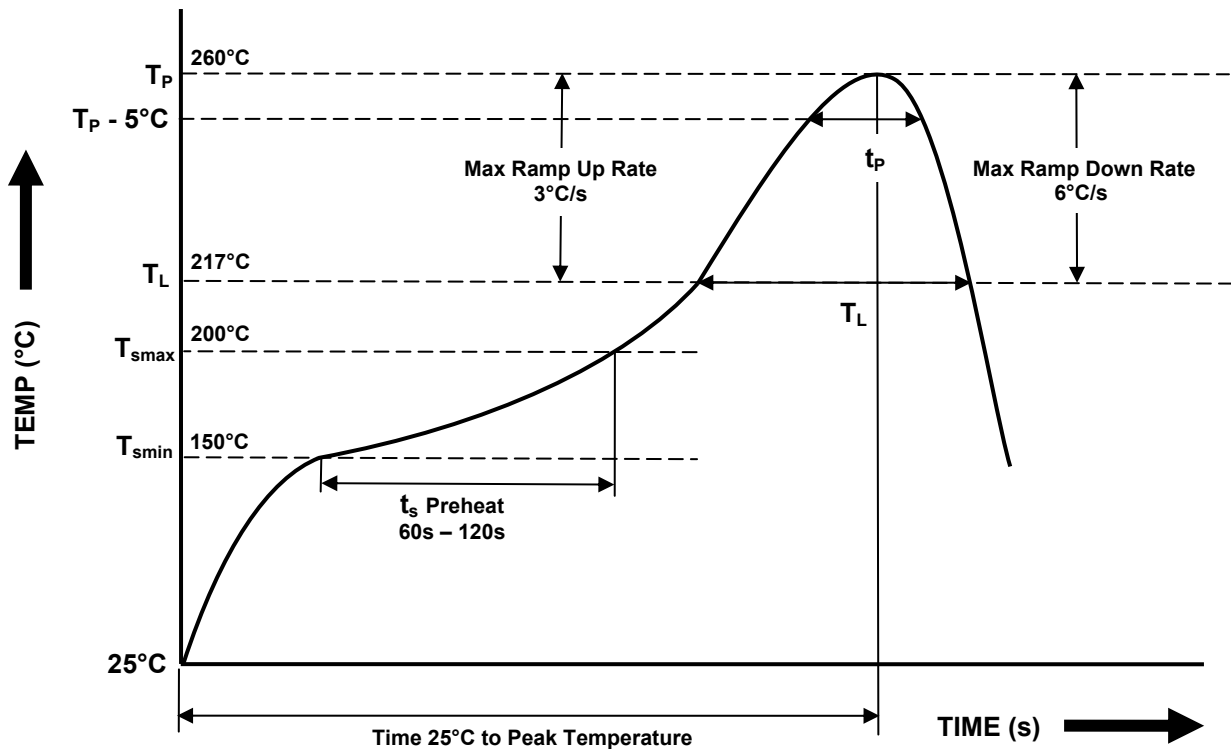
TAPE AND REEL PACKAGING



Description	Symbol	Dimension mm (inch)
Tape Width	W	16 ± 0.3 (0.63)
Pitch of Sprocket Holes	P ₀	4 ± 0.1 (0.15)
Distance of Compartment to Sprocket Holes	F	7.5 ± 0.1 (0.295)
	P ₂	2 ± 0.1 (0.079)
Distance of Compartment to Compartment	P ₁	8 ± 0.1 (0.472)

SFH615A

IR REFLOW SOLDERING TEMPERATURE PROFILE FOR SMD
One Time Reflow Soldering is Recommended.
Do not immerse device body in solder paste.



Profile Details	Conditions
Preheat - Min Temperature (T_{SMIN}) - Max Temperature (T_{SMAX}) - Time T_{SMIN} to T_{SMAX} (t_s)	150°C 200°C 60s - 120s
Soldering Zone - Peak Temperature (T_P) - Time at Peak Temperature - Liquidous Temperature (T_L) - Time within 5°C of Actual Peak Temperature ($T_P - 5^\circ\text{C}$) - Time maintained above T_L (t_L) - Ramp Up Rate (T_L to T_P) - Ramp Down Rate (T_P to T_L)	260°C 10s max 217°C 30s max 60s - 100s 3°C/s max 6°C/s max
Average Ramp Up Rate (T_{smax} to T_P)	3°C/s max
Time 25°C to Peak Temperature	8 minutes max



DISCLAIMER

Isocom Components is continually working to improve the quality and reliability of its products. Nevertheless, semiconductor devices in general can malfunction or fail due to their inherent electrical sensitivity and vulnerability to physical stress. It is the responsibility of the buyer, when utilizing Isocom Components products, to comply with the standards of safety in making a safe design for the entire system, and to avoid situations in which a malfunction or failure of such Isocom Components products could cause loss of human life, bodily injury or damage to property.

In developing your designs, please ensure that Isocom Components products are used within specified operating ranges as set forth in the most recent Isocom Components products specifications.

The Isocom Components products listed in this document are intended for usage in general electronics applications (computer, personal equipment, office equipment, measuring equipment, industrial robotics, domestic appliances, etc.). These Isocom Components products are neither intended nor warranted for usage in equipment that requires extraordinarily high quality and/or reliability or a malfunction or failure of which may cause loss of human life or bodily injury ("Unintended Usage"). Unintended Usage include atomic energy control instruments, airplane or spaceship instruments, transportation Instruments, traffic signal instruments, combustion control instruments, medical Instruments, all types of safety devices, etc... Unintended Usage of Isocom Components products listed in this document shall be made at the customer's own risk.

Gallium arsenide (GaAs) is a substance used in the products described in this document. GaAs dust and fumes are toxic. Do not break, cut or pulverize the product, or use chemicals to dissolve them. When disposing of the products, follow the appropriate regulations. Do not dispose of the products with other industrial waste or with domestic garbage.

The products described in this document are subject to the foreign exchange and foreign trade laws.

The information contained herein is presented only as a guide for the applications of our products. No responsibility is assumed by Isocom Components for any infringements of intellectual property or other rights of the third parties which may result from its use. No license is granted by implication or otherwise under any intellectual property or other rights of Isocom Components or others.

The information contained herein is subject to change without notice.