



Chipsmall Limited consists of a professional team with an average of over 10 year of expertise in the distribution of electronic components. Based in Hongkong, we have already established firm and mutual-benefit business relationships with customers from,Europe,America and south Asia,supplying obsolete and hard-to-find components to meet their specific needs.

With the principle of “Quality Parts,Customers Priority,Honest Operation,and Considerate Service”,our business mainly focus on the distribution of electronic components. Line cards we deal with include Microchip,ALPS,ROHM,Xilinx,Pulse,ON,Everlight and Freescale. Main products comprise IC,Modules,Potentiometer,IC Socket,Relay,Connector.Our parts cover such applications as commercial,industrial, and automotives areas.

We are looking forward to setting up business relationship with you and hope to provide you with the best service and solution. Let us make a better world for our industry!



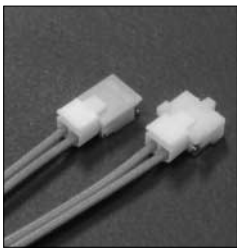
Contact us

Tel: +86-755-8981 8866 Fax: +86-755-8427 6832

Email & Skype: info@chipsmall.com Web: www.chipsmall.com

Address: A1208, Overseas Decoration Building, #122 Zhenhua RD., Futian, Shenzhen, China

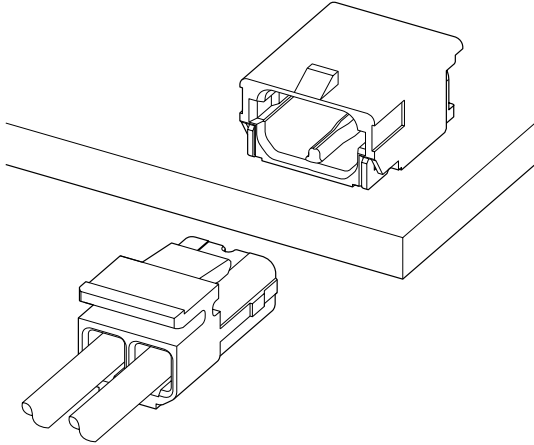




SFK CONNECTOR



1.8mm pitch/Disconnectable Crimp style connectors



This SFK connector is a wire-to-board connector for connecting power supply and PCB and withstands high voltage. It is used for power supply of LED backlight in Liquid Crystal Display Television set.

- Withstand high voltage
- Secure locking structure
- Halogen-free

Specifications

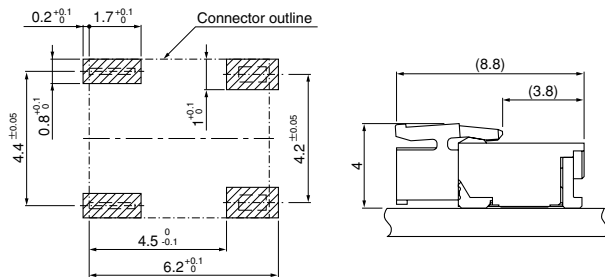
- Current rating: 4 A AC, DC (AWG #22)
- Voltage rating: 350 V AC, DC
- Temperature range: -25°C to +85°C
(including temperature rise in applying electrical current)
- Contact resistance: Initial value/ 10 mΩ max.
After environmental tests/ 20 mΩ max.
- Insulation resistance: 1,000 MΩ min.
- Withstanding voltage: 1,700 VAC/minute
- Applicable wire: Conductor size/ AWG #30 to #22
Insulation O.D./ 0.7 to 1.3 mm

- * Refer to "General Instruction and Notice when using Terminals and Connectors" at the end of this catalog.
- * Contact JST for details.
- * Compliant with RoHS.

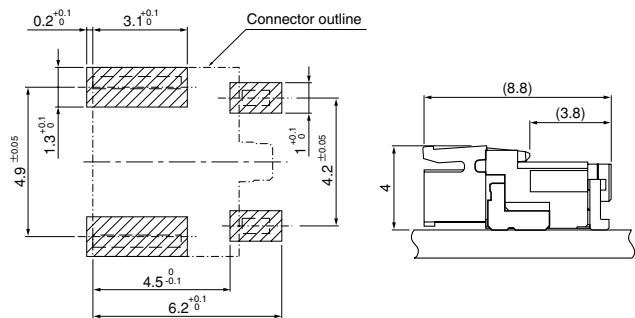
Standards

Recognized E60389

PC board layout and Assembly layout



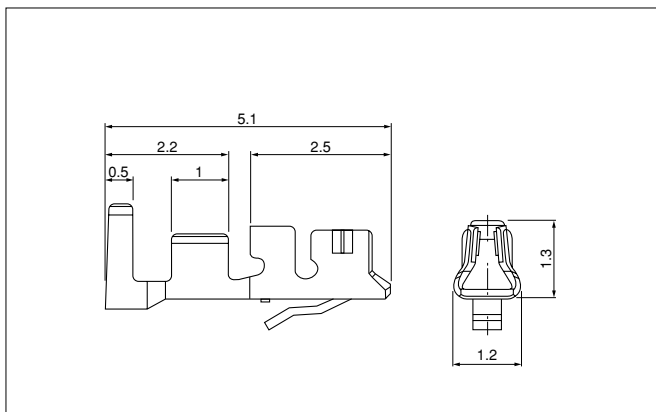
● B type



Note: 1. The above figure is the figure viewed from the connector mounting side.

2. Tolerances are non-cumulative: ± 0.05 mm for all centers. The dimensions above should serve as a guideline. Contact JST for details.

Contact



Model No.	Applicable wire		Insulation O.D. (mm)	Q'ty/reel
	mm ²	AWG#		
SSFH-001T-P0.5	0.13~0.33	26~22	0.95~1.3	15,000
SSFH-002T-P0.5	0.05~0.13	30~26	0.7~1.25	15,000

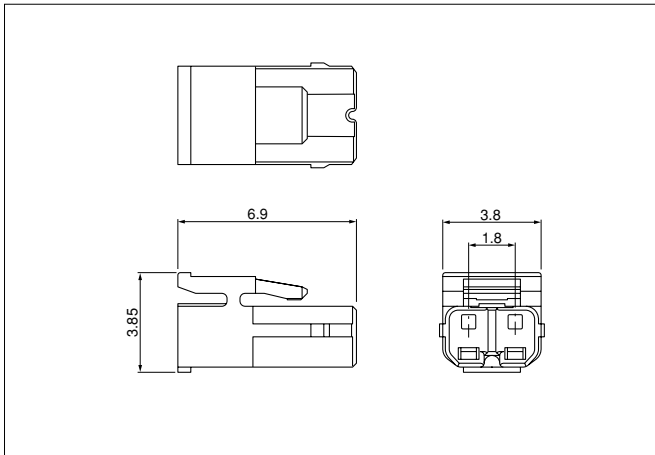
Material

Copper alloy, tin-plated (reflow treatment)

RoHS compliance

Contact	Crimping machine	Applicator		
		Crimp applicator	Dies	Crimp applicator with dies
SSFH-001T-P0.5	AP-K2N	MKS-L	MK/SSFH-001-05	APLMK SSFH001-05
		—	—	—
SSFH-002T-P0.5	—	MKS-L	MK/SSFH-002-05	APLMK SSFH002-05
		—	—	—

Housing

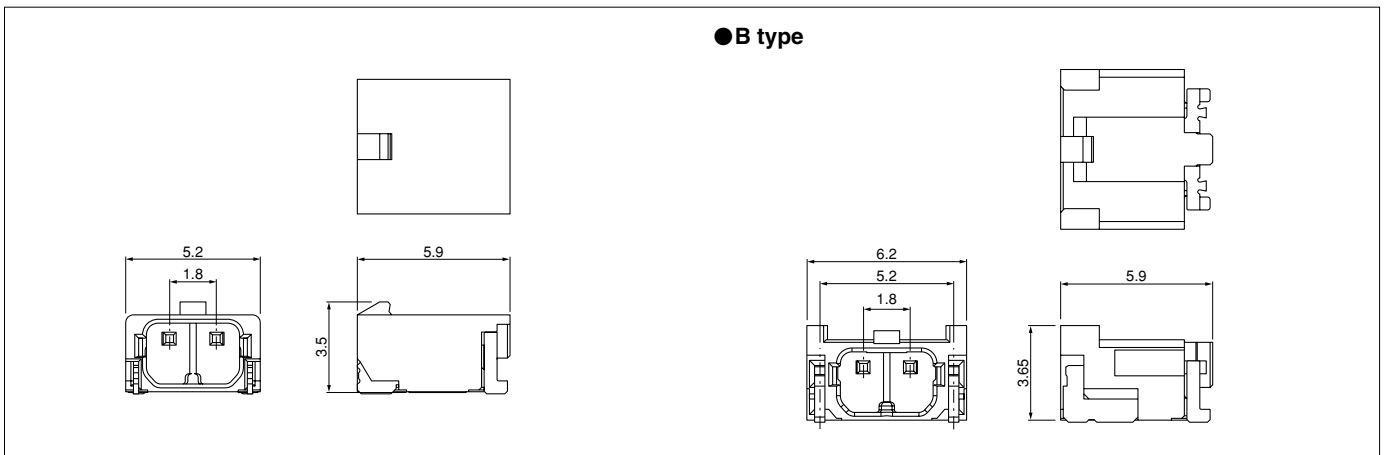


Circuits	Model No.	Q'ty/bag
2	SFKR-02V-S	2,000

Material		
PA 66, UL94V-0, natural (white)		

RoHS compliance

Header



● B type

Circuits	Model No.	Q'ty/reel
2	SM02B-SFKH-TF	3,000

Material and Finish		
Press pin: Brass, copper-undercoated, tin-plated (reflow treatment)		
Wafer: PA 6T, UL94V-0, gray		
Solder tail: Brass, copper-undercoated, tin-plated (reflow treatment)		

RoHS compliance

Note: The product listed above is supplied on embossed-tape.

● B type

Circuits	Model No.	Q'ty/reel
2	SM02B-SFKBS3-TF	3,000

Material and Finish		
Press pin: Brass, copper-undercoated, tin-plated (reflow treatment)		
Wafer: PA 4T, UL94V-0, natural		
Solder tail: Brass, copper-undercoated, tin-plated (reflow treatment)		

RoHS compliance

Note: The product listed above is supplied on embossed-tape.