



Chipsmall Limited consists of a professional team with an average of over 10 year of expertise in the distribution of electronic components. Based in Hongkong, we have already established firm and mutual-benefit business relationships with customers from,Europe,America and south Asia,supplying obsolete and hard-to-find components to meet their specific needs.

With the principle of “Quality Parts,Customers Priority,Honest Operation,and Considerate Service”,our business mainly focus on the distribution of electronic components. Line cards we deal with include Microchip,ALPS,ROHM,Xilinx,Pulse,ON,Everlight and Freescale. Main products comprise IC,Modules,Potentiometer,IC Socket,Relay,Connector.Our parts cover such applications as commercial,industrial, and automotives areas.

We are looking forward to setting up business relationship with you and hope to provide you with the best service and solution. Let us make a better world for our industry!



Contact us

Tel: +86-755-8981 8866 Fax: +86-755-8427 6832

Email & Skype: info@chipsmall.com Web: www.chipsmall.com

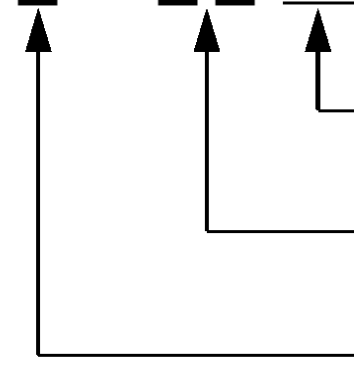
Address: A1208, Overseas Decoration Building, #122 Zhenhua RD., Futian, Shenzhen, China



POSITIONS/ CONTACTS	A		B	
	MM±0.20	[INCH±0.008]	MM±0.30	[INCH±0.012]
02/02	1.00	0.039	2.50	0.098
03/03	2.00	0.079	3.50	0.138
04/04	3.00	0.118	4.50	0.177
05/05	4.00	0.157	5.50	0.217
06/06	5.00	0.197	6.50	0.256
07/07	6.00	0.236	7.50	0.295
08/08	7.00	0.276	8.50	0.335
09/09	8.00	0.315	9.50	0.374
10/10	9.00	0.354	10.50	0.413
11/11	10.00	0.394	11.50	0.453
12/12	11.00	0.433	12.50	0.492
13/13	12.00	0.472	13.50	0.531
14/14	13.00	0.512	14.50	0.571
15/15	14.00	0.551	15.50	0.610
16/16	15.00	0.591	16.50	0.650
17/17	16.00	0.630	17.50	0.689
18/18	17.00	0.669	18.50	0.728
19/19	18.00	0.709	19.50	0.768
20/20	19.00	0.748	20.50	0.807
21/21	20.00	0.787	21.50	0.846
22/22	21.00	0.827	22.50	0.886
23/23	22.00	0.866	23.50	0.925
24/24	23.00	0.906	24.50	0.965
25/25	24.00	0.945	25.50	1.004
26/26	25.00	0.984	26.50	1.043
27/27	26.00	1.024	27.50	1.083
28/28	27.00	1.063	28.50	1.122
29/29	28.00	1.102	29.50	1.161
30/30	29.00	1.142	30.50	1.201
31/31	30.00	1.181	31.50	1.240
32/32	31.00	1.220	32.50	1.280
33/33	32.00	1.260	33.50	1.319
34/34	33.00	1.299	34.50	1.358
35/35	34.00	1.339	35.50	1.398
36/36	35.00	1.378	36.50	1.437
37/37	36.00	1.417	37.50	1.476
38/38	37.00	1.457	38.50	1.516
39/39	38.00	1.496	39.50	1.555
40/40	39.00	1.535	40.50	1.594
41/41	40.00	1.575	41.50	1.634
42/42	41.00	1.614	42.50	1.673
43/43	42.00	1.654	43.50	1.713
44/44	43.00	1.693	44.50	1.752
45/45	44.00	1.732	45.50	1.791
46/46	45.00	1.772	46.50	1.831
47/47	46.00	1.811	47.50	1.870
48/48	47.00	1.850	48.50	1.909
49/49	48.00	1.890	49.50	1.949
50/50	49.00	1.929	50.50	1.988

PART NUMBER CODING

SFM210-LP_E-S_-ST-BK



TERMINATION TYPES

STRAIGHT

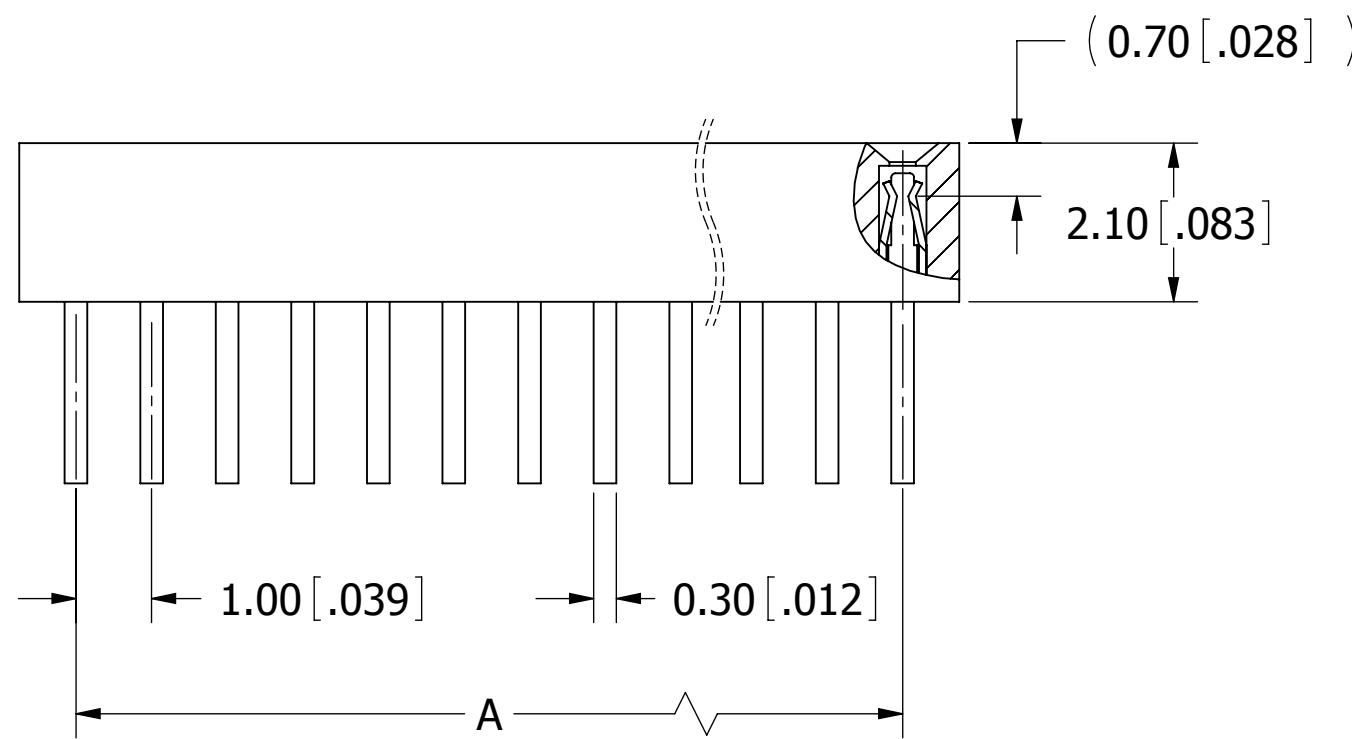
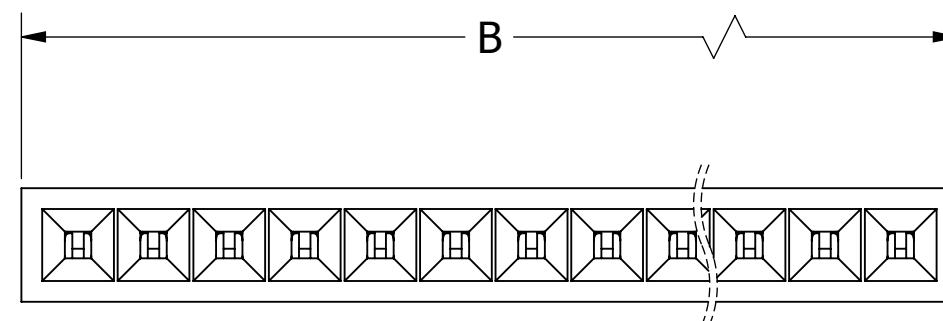
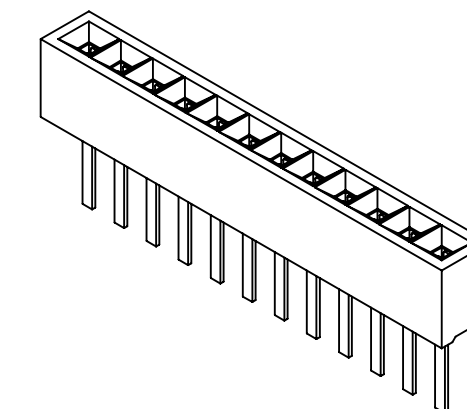
NUMBER OF POSITIONS

(CONTACTS PER ROW, 02 THRU 50)

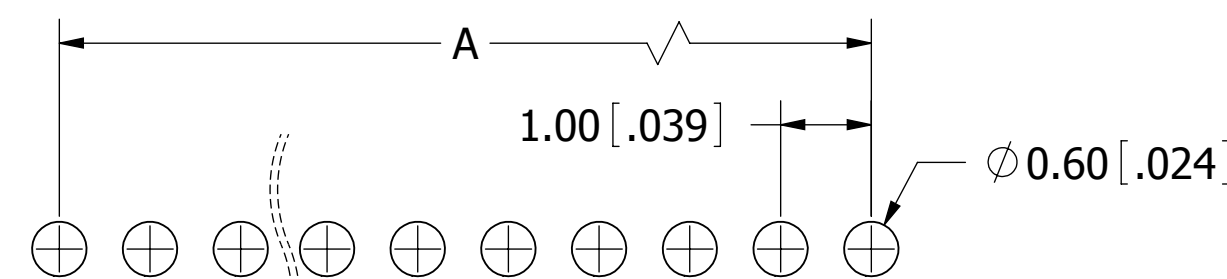
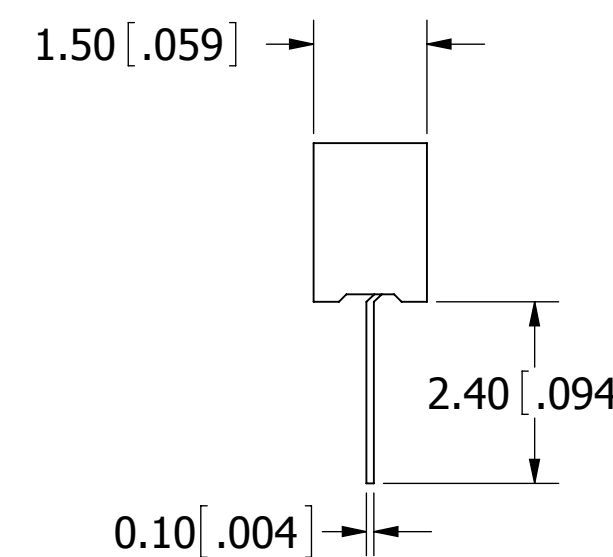
PLATING

P = GOLD FLASH OVERALL.
S = 10u" GOLD ON CONTACT SURFACE,
GOLD FLASH ON TERMINATION

REVISIONS				
REV.	ECO. NO	DESCRIPTION	DATE	BY
A	1910	INITIAL RELEASE	2/5/2009	JH
B	2518	ADD REF. IN CONTACT POINT DIST, ADD NOTE 10 MATING PARTS	01/19/2012	LH
C	3121	UPDATE 'S' PLATING DESCRIPTION	12/31/2014	LH



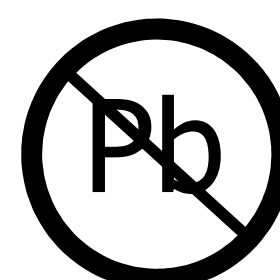
02-20, 0.20mm MAX.
21-50, 0.30mm MAX.



RECOMMENDED PCB LAYOUT

NOTES:

- INSULATOR MATERIAL: L.C.P, UL 94V-0, BLACK COLOR
- CONTACT MATERIAL: PHOSPHOR BRONZE
- CONTACT PLATING: SEE PART NUMBER CODING
- CURRENT RATING: 1 AMP
- INSULATOR RESISTANCE: 1000 MEGA OHMS MIN
- CONTACT RESISTANCE: 20 MILLI OHMS MAX
- DIELECTRIC WITHSTANDING: AC 300V
- OPERATING TEMPERATURE: -40°C TO +125°C
- PROCESSING TEMP.: 260° C FOR 10 SECONDS MAX
(INDICATED TEMPERATURE AND TIME IS FOR COMPONENT INSULATOR.
HIGHER PROCESSING TEMPERATURES MAY BE USED, PROVIDED HEAT IS
APPLIED FROM BACK SIDE OF PCB, AND INSULATOR DOES NOT EXCEED
INDICATED TEMPERATURE AND TIME.)
- MATES WITH SULLINS 1.00 [.039] CONTACT CENTER SMH MALE HEADER SERIES
(0.30 [.012] SQUARE POSTS)



RoHS COMPLIANT

UNLESS OTHERWISE SPECIFIED: DIMENSIONS ARE IN MM[INCHES]	DRAWN	DATE	NAME	
		02/05/2009	JH	
TOLERANCES:	<small>THE INFORMATION HEREIN CONTAINS PROPRIETARY INFORMATION OF SULLINS ELECTRONICS AND IS NOT TO BE REPRODUCED, USED OR DISCLOSED TO OTHERS FOR ANY PURPOSE EXCEPT AS SPECIFICALLY AUTHORIZED IN WRITING BY AN OFFICER OF SULLINS ELECTRONICS.</small>			TITLE
ANGULAR:				HEADER, FEMALE 1mm CC, 1ROW, ST
DECIMALS				PART NUMBER
.X=±.30 [.012]				SFM210-LP_E-S_-ST-BK
.XX=±.20 [.008]	SIZE	CAGE CODE	DWG. NO.	REV
.XXX=±.100 [.0040]	C	54453	11199	C
	SCALE: 16:1	SHEET 1 OF 1		