



Chipsmall Limited consists of a professional team with an average of over 10 year of expertise in the distribution of electronic components. Based in Hongkong, we have already established firm and mutual-benefit business relationships with customers from,Europe,America and south Asia,supplying obsolete and hard-to-find components to meet their specific needs.

With the principle of "Quality Parts,Customers Priority,Honest Operation,and Considerate Service",our business mainly focus on the distribution of electronic components. Line cards we deal with include Microchip,ALPS,ROHM,Xilinx,Pulse,ON,Everlight and Freescale. Main products comprise IC,Modules,Potentiometer,IC Socket,Relay,Connector.Our parts cover such applications as commercial,industrial, and automotives areas.

We are looking forward to setting up business relationship with you and hope to provide you with the best service and solution. Let us make a better world for our industry!



Contact us

Tel: +86-755-8981 8866 Fax: +86-755-8427 6832

Email & Skype: info@chipsmall.com Web: www.chipsmall.com

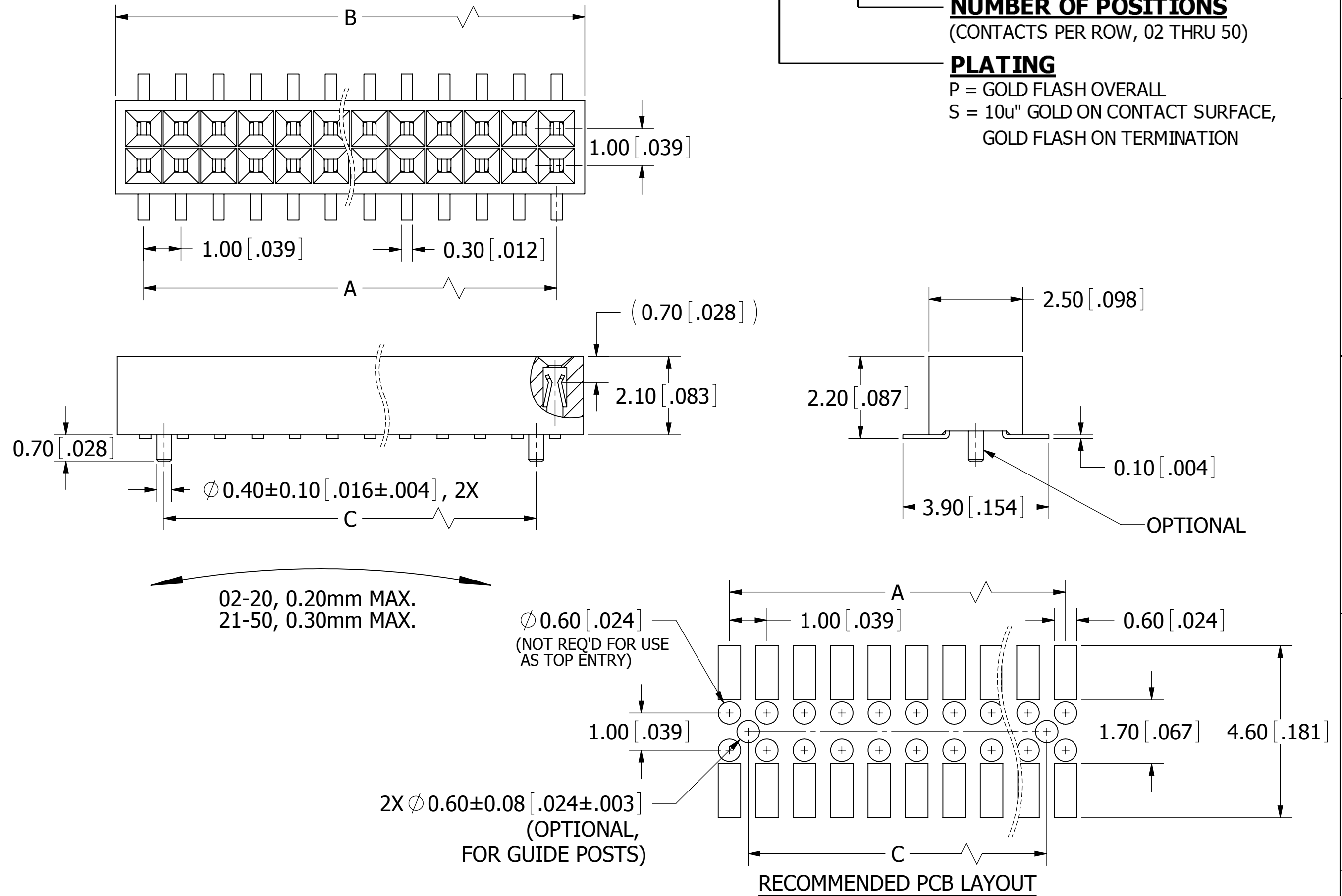
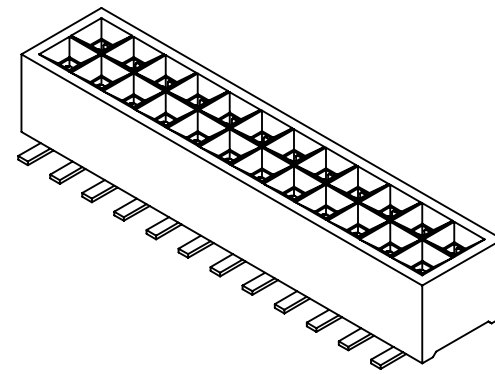
Address: A1208, Overseas Decoration Building, #122 Zhenhua RD., Futian, Shenzhen, China



POSITIONS/ CONTACTS	A		B		C	
	MM±0.20	[INCH±0.008]	MM±0.30	[INCH±0.012]	MM±0.20	[INCH±0.008]
02/04**	1.00	0.039	2.00	0.079	N/A	N/A
03/06	2.00	0.079	3.50	0.138	1.00	0.039
04/08	3.00	0.118	4.50	0.177	2.00	0.079
05/10	4.00	0.157	5.50	0.217	3.00	0.118
06/12	5.00	0.197	6.50	0.256	4.00	0.157
07/14	6.00	0.236	7.50	0.295	5.00	0.197
08/16	7.00	0.276	8.50	0.335	6.00	0.236
09/18	8.00	0.315	9.50	0.374	7.00	0.276
10/20	9.00	0.354	10.50	0.413	8.00	0.315
11/22	10.00	0.394	11.50	0.453	9.00	0.354
12/24	11.00	0.433	12.50	0.492	10.00	0.394
13/26	12.00	0.472	13.50	0.531	11.00	0.433
14/28	13.00	0.512	14.50	0.571	12.00	0.472
15/30	14.00	0.551	15.50	0.610	13.00	0.512
16/32	15.00	0.591	16.50	0.650	14.00	0.551
17/34	16.00	0.630	17.50	0.689	15.00	0.591
18/36	17.00	0.669	18.50	0.728	16.00	0.630
19/38	18.00	0.709	19.50	0.768	17.00	0.669
20/40	19.00	0.748	20.50	0.807	18.00	0.709
21/42	20.00	0.787	21.50	0.846	19.00	0.748
22/44	21.00	0.827	22.50	0.886	20.00	0.787
23/46	22.00	0.866	23.50	0.925	21.00	0.827
24/48	23.00	0.906	24.50	0.965	22.00	0.866
25/50	24.00	0.945	25.50	1.004	23.00	0.906
26/52	25.00	0.984	26.50	1.043	24.00	0.945
27/54	26.00	1.024	27.50	1.083	25.00	0.984
28/56	27.00	1.063	28.50	1.122	26.00	1.024
29/58	28.00	1.102	29.50	1.161	27.00	1.063
30/60	29.00	1.142	30.50	1.201	28.00	1.102
31/62	30.00	1.181	31.50	1.240	29.00	1.142
32/64	31.00	1.220	32.50	1.280	30.00	1.181
33/66	32.00	1.260	33.50	1.319	31.00	1.220
34/68	33.00	1.299	34.50	1.358	32.00	1.260
35/70	34.00	1.339	35.50	1.398	33.00	1.299
36/72	35.00	1.378	36.50	1.437	34.00	1.339
37/74	36.00	1.417	37.50	1.476	35.00	1.378
38/76	37.00	1.457	38.50	1.516	36.00	1.417
39/78	38.00	1.496	39.50	1.555	37.00	1.457
40/80	39.00	1.535	40.50	1.594	38.00	1.496
41/82	40.00	1.575	41.50	1.634	39.00	1.535
42/84	41.00	1.614	42.50	1.673	40.00	1.575
43/86	42.00	1.654	43.50	1.713	41.00	1.614
44/88	43.00	1.693	44.50	1.752	42.00	1.654
45/90	44.00	1.732	45.50	1.791	43.00	1.693
46/92	45.00	1.772	46.50	1.831	44.00	1.732
47/94	46.00	1.811	47.50	1.870	45.00	1.772
48/96	47.00	1.850	48.50	1.909	46.00	1.811
49/98	48.00	1.890	49.50	1.949	47.00	1.850
50/100	49.00	1.929	50.50	1.988	48.00	1.890

** NOTE: POSITION 2 NOT AVAILABLE WITH GUIDE POSTS

- NOTES:
- INSULATOR MATERIAL: L.C.P, UL 94V-0, BLACK COLOR
 - CONTACT MATERIAL: PHOSPHOR BRONZE
 - CONTACT PLATING: SEE PART NUMBER CODING
 - CURRENT RATING: 1 AMP
 - INSULATOR RESISTANCE: 1000 MEGA OHMS MIN
 - CONTACT RESISTANCE: 20 MILLI OHMS MAX
 - DIELECTRIC WITHSTANDING: AC 300V
 - OPERATING TEMPERATURE: -40°C TO +125°C
 - PROCESSING TEMP.: 260°C FOR 10 SECONDS MAX
(INDICATED TEMPERATURE AND TIME IS FOR COMPONENT INSULATOR. HIGHER PROCESSING TEMPERATURES MAY BE USED, PROVIDED HEAT IS APPLIED FROM BACK SIDE OF PCB, AND INSULATOR DOES NOT EXCEED INDICATED TEMPERATURE AND TIME.)
 - FOR TOP/BOTTOM ENTRY
 - CONSULT FACTORY FOR THE MATE IF BEING USED AS BOTTOM ENTRY
 - MATES WITH SULLINS 1.00[.039] CONTACT CENTER SMH MALE HEADER SERIES (0.30[.012] SQUARE POSTS)



PART NUMBER CODING

SFM210-LP_E-D__-S_-BK

- TERMINATION TYPES**
M = SURFACE MOUNT W/O GUIDE POSTS
P = SURFACE MOUNT W/ GUIDE POSTS
- NUMBER OF POSITIONS**
(CONTACTS PER ROW, 02 THRU 50)
- PLATING**
P = GOLD FLASH OVERALL
S = 10u" GOLD ON CONTACT SURFACE,
GOLD FLASH ON TERMINATION



UNLESS OTHERWISE SPECIFIED: DIMENSIONS ARE IN MM[INCHES]	DRAWN	DATE	NAME	
		02/08/2009	JH	
TOLERANCES: ANGULAR: DECIMALS .X= ± .3 [.012] .XX= ± .20 [.008] .XXX= ± .100 [.0040]	THE INFORMATION HEREIN CONTAINS PROPRIETARY INFORMATION OF SULLINS ELECTRONICS AND IS NOT TO BE REPRODUCED, USED OR DISCLOSED TO OTHERS FOR ANY PURPOSE EXCEPT AS SPECIFICALLY AUTHORIZED IN WRITING BY AN OFFICER OF SULLINS ELECTRONICS.			TITLE
				HEADER, FEMALE 1mm CC, 2 ROWS, SMT
				PART NUMBER
				SFM210-LP_E-D__-S_-BK
SCALE: 10:1	SIZE	CAGE CODE	DWG. NO.	REV
	C	54453	11200	D
SHEET 1 OF 1				