



Chipsmall Limited consists of a professional team with an average of over 10 year of expertise in the distribution of electronic components. Based in Hongkong, we have already established firm and mutual-benefit business relationships with customers from,Europe,America and south Asia,supplying obsolete and hard-to-find components to meet their specific needs.

With the principle of “Quality Parts,Customers Priority,Honest Operation,and Considerate Service”,our business mainly focus on the distribution of electronic components. Line cards we deal with include Microchip,ALPS,ROHM,Xilinx,Pulse,ON,Everlight and Freescale. Main products comprise IC,Modules,Potentiometer,IC Socket,Relay,Connector.Our parts cover such applications as commercial,industrial, and automotives areas.

We are looking forward to setting up business relationship with you and hope to provide you with the best service and solution. Let us make a better world for our industry!



Contact us

Tel: +86-755-8981 8866 Fax: +86-755-8427 6832

Email & Skype: info@chipsmall.com Web: www.chipsmall.com

Address: A1208, Overseas Decoration Building, #122 Zhenhua RD., Futian, Shenzhen, China

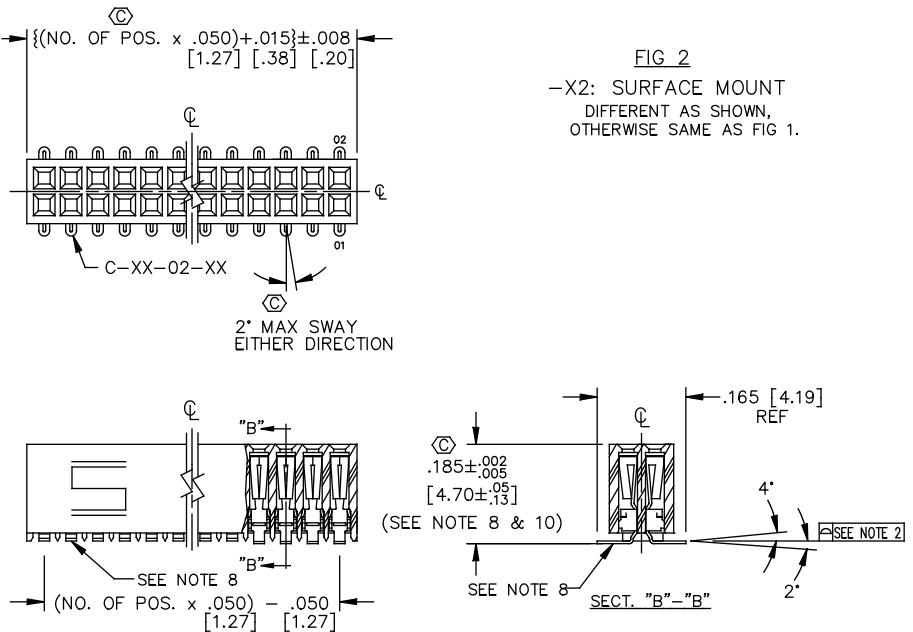
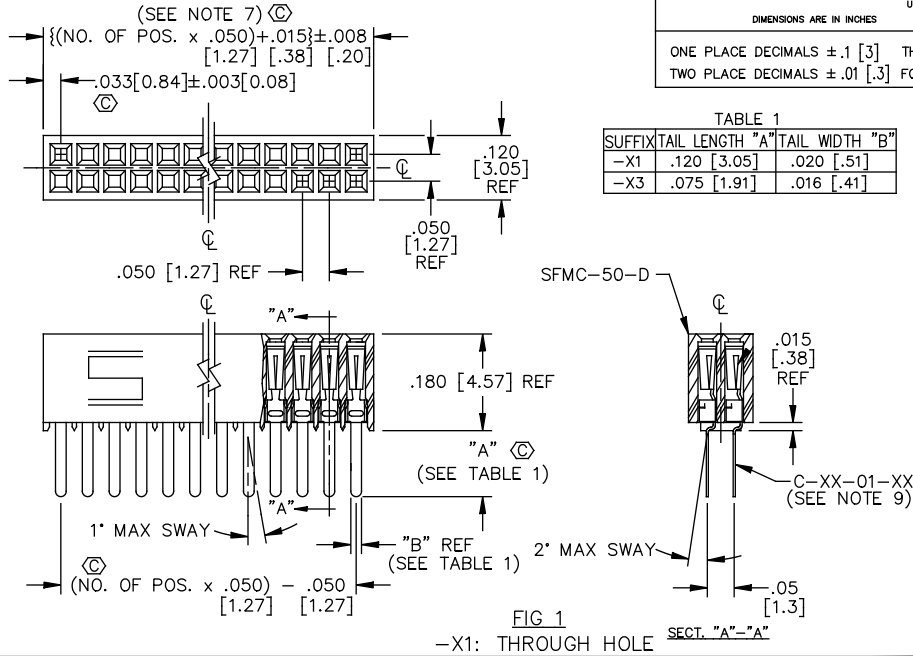


DO NOT SCALE FROM THIS PRINT

DIMENSIONS ARE IN INCHES UNLESS OTHERWISE NOTED TOLERANCES ARE:
 ONE PLACE DECIMALS ±.1 [3] THREE PLACE DECIMALS ±.005 [.13] ANGLES ± 2°
 TWO PLACE DECIMALS ±.01 [3] FOUR PLACE DECIMALS ±.0020 [.051]

TITLE: .050 X .050 CUTTABLE SOCKET STRIP DOUBLE ROW ASSEMBLY

DWG NO: SFMC-1XX-XX-XX-D-XX SHEET 1 OF 2



SFMC-1XX-XX-XX-D-XX

NO. OF POSITIONS: ALL POSITIONS AVAILABLE -02 THRU -50 USE BODY: (SFMC-50-D)

LEAD STYLE

- 01: THROUGH HOLE (SEE FIGURE 1) USE CONTACT: (C-44-01-XX)
- 02: SURFACE MOUNT (SEE FIGURE 2) USE CONTACT: (C-44-02-XX)
- 03: STRAIGHT MODIFIED (SEE FIGURE 1) USE CONTACT: (C-44-03-XX)
- L1: THROUGH HOLE (LOW INSERTION) (SEE FIGURE 1) USE CONTACT: (C-61-01-XX)
- L2: SURFACE MOUNT (LOW INSERTION) (SEE FIGURE 2) USE CONTACT: (C-61-02-XX)
- L3: STRAIGHT MODIFIED (LOW INSERTION) (SEE FIGURE 1) USE CONTACT: (C-61-03-XX)
- T1: THROUGH HOLE (PHOS BRONZE) (SEE FIGURE 1) USE CONTACT: (C-119-01-XX)
- T2: SURFACE MOUNT (PHOS BRONZE) (SEE FIGURE 2) USE CONTACT: (C-119-02-XX)

OPTIONS (LEAVE BLANK FOR STANDARD)

- P: PICK AND PLACE PAD (SEE FIGURE 3, SHT 2) USE PPP-02 (5 POSITIONS MINIMUM)
- TR: TAPE & REEL (SEE FIG 4, SHT 2)
- K: POLYIMIDE FILM PAD (.005 [0.13] THICKNESS) (SEE FIG 4) (USE K-DOT-.157-.250-.005) (4 POS MIN)

BODY SPECIFICATION

- D: DOUBLE ROW

PLATING SPECIFICATION

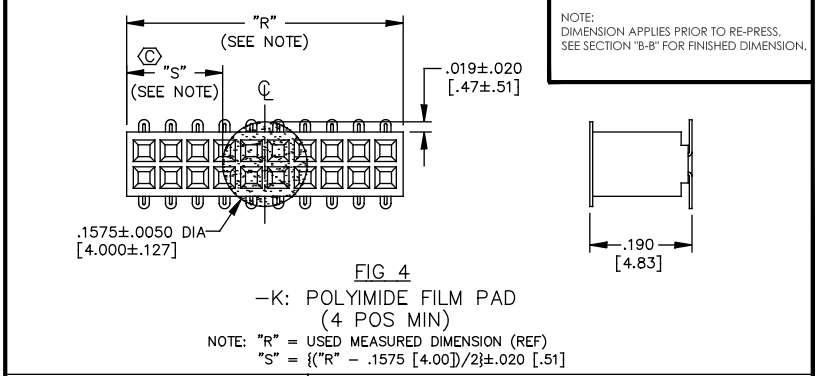
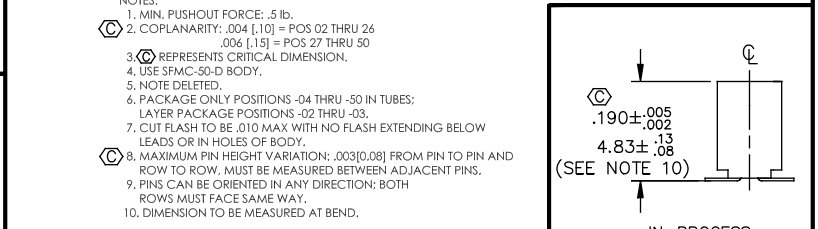
- S: 30μ SELECTIVE GOLD IN CONTACT AREA, MATTE TIN ON TAIL
- F: 3μ SELECTIVE GOLD IN CONTACT AREA, MATTE TIN ON TAIL
- H: 30μ GOLD IN CONTACT AREA, 3μ GOLD ON TAIL (ONLY AVAILABLE ON -02, -L2, & -T2 LEAD STYLES)
- FM: 3μ SELECTIVE GOLD IN CONTACT AREA, MATTE TIN ON TAIL
- SM: 30μ SELECTIVE GOLD IN CONTACT AREA, MATTE TIN ON TAIL
- L: 10μ SELECTIVE GOLD IN CONTACT AREA, MATTE TIN ON TAIL

TABLE 2 (SEE NOTE 6)

LEAD STYLE & OPTION	PACKAGING TUBE	PLUG
-X1, -X3, -X3-K	PT-1-24-15-09	TP-12
-X2	PT-1-24-14-09	TP-24-02
-X2-K	PT-1-24-14-09	TP-24-02
-X2-P	PT-1-24-01-38	TP-24
-X1-K	PT-1-24-15-09	TP-12
-X1-P, -X3-P	PT-1-24-01-09	TP-24

NOTES:

- MIN. PUSHOUT FORCE: .5 LB.
- COPLANARITY: .004 [0.10] = POS 02 THRU 26 .006 [0.15] = POS 27 THRU 50
- ⊙ REPRESENTS CRITICAL DIMENSION.
- USE SFMC-50-D BODY.
- NOTE DELETED.
- PACKAGE ONLY POSITIONS -04 THRU -50 IN TUBES; LAYER PACKAGE POSITIONS -02 THRU -03.
- CUT FLASH TO BE .010 MAX WITH NO FLASH EXTENDING BELOW LEADS OR IN HOLES OF BODY.
- MAXIMUM PIN HEIGHT VARIATION: .0030 [0.08] FROM PIN TO PIN AND ROW TO ROW; MUST BE MEASURED BETWEEN ADJACENT PINS.
- PINS CAN BE ORIENTED IN ANY DIRECTION; BOTH ROWS MUST FACE SAME WAY.
- DIMENSION TO BE MEASURED AT BEND.



MATERIAL: BODY: LCP, UL 94 V0 COLOR: BLACK

CONTACTS: C-44 & C-61: #25 BeCu, 1/2 HARD AGE HARDENED C-119: PHOS BRONZE 521

EXISPROD\ASSEMBLY\050 SFMC-ASM

samtec

PHONE (812) 944-6733 P.O. BOX 1147 CODE 55322

MADE BY: BRATCHER 10-5-94

SFMC-1XX-XX-XX-D-XX SHEET 1 OF 2

PROPRIETARY NOTE: THIS DOCUMENT CONTAINS CONFIDENTIAL AND PROPRIETARY INFORMATION AND ALL RIGHTS, MANUFACTURING, REPRODUCTION, USE, PATENT RIGHTS AND SALES RIGHTS ARE EXPRESSLY RESERVED BY SAMTEC, INC. THE DOCUMENT SHALL NOT BE DISCLOSED IN WHOLE OR IN PART, TO ANY UNAUTHORIZED PERSON OR ENTITY NOR REPRODUCED, TRANSMITTED OR OTHERWISE DISCLOSED IN ANY MANNER WITHOUT THE EXPRESS WRITTEN CONSENT OF SAMTEC, INC.