



Chipsmall Limited consists of a professional team with an average of over 10 year of expertise in the distribution of electronic components. Based in Hongkong, we have already established firm and mutual-benefit business relationships with customers from,Europe,America and south Asia,supplying obsolete and hard-to-find components to meet their specific needs.

With the principle of "Quality Parts,Customers Priority,Honest Operation,and Considerate Service",our business mainly focus on the distribution of electronic components. Line cards we deal with include Microchip,ALPS,ROHM,Xilinx,Pulse,ON,Everlight and Freescale. Main products comprise IC,Modules,Potentiometer,IC Socket,Relay,Connector.Our parts cover such applications as commercial,industrial, and automotives areas.

We are looking forward to setting up business relationship with you and hope to provide you with the best service and solution. Let us make a better world for our industry!



## Contact us

Tel: +86-755-8981 8866 Fax: +86-755-8427 6832

Email & Skype: info@chipsmall.com Web: www.chipsmall.com

Address: A1208, Overseas Decoration Building, #122 Zhenhua RD., Futian, Shenzhen, China



# Product Information

# SFP-W Series

## 100M SFP Modules



## Features

- ❖ Single + 3.3V power supply
- ❖ Differential Inputs and Outputs
- ❖ Small Form Factor Pluggable MSA Compliant
- ❖ Industrial Operation Temp.: -40°C to +75 °C



Henrich Electronics Corporation

Main Office

Tel: 860-487-9869

Fax: 860-487-9478

[www.henrich-inc.com](http://www.henrich-inc.com)

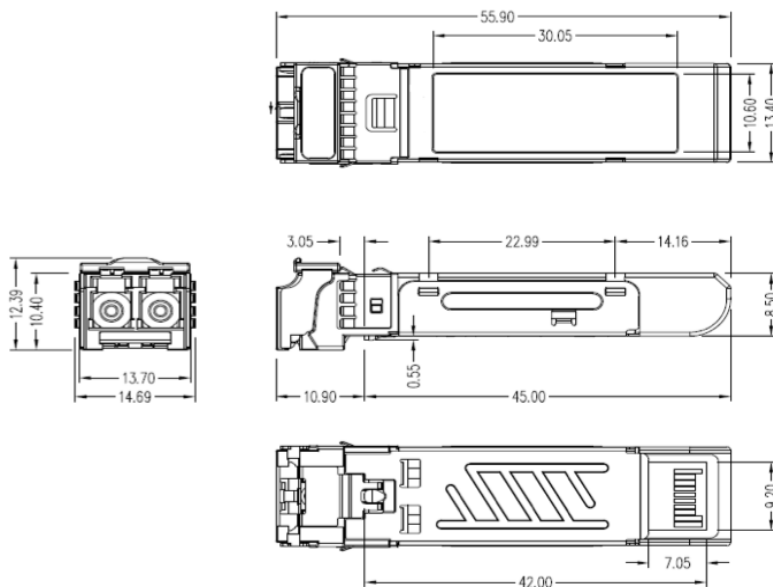
## Introduction

The transceiver from Henrich is small form factor pluggable module with standard duplex connector for fiber communications. This module is designed for multi-mode-fiber (MMF) and operates at a nominal wavelength of 850 nm with cost effective and high performance. It is with the SFP 20-pin connector to allow hot plug capability.

## Specifications

Absolute Maximum Ratings	
Supply Voltage	0~4V
Storage Temperature	-40 to +85°C
Operating Temperature	-40 to +75°C
Lead Soldering Limits	MAX: 260/10°C /sec
General Specifications	
Data Rate	50 to 200Mbps, type: 155Mbps
Supported Link Length on 62.5/125µm MMF	Min:2Km
Supply Current	Max: 300mA
Power Dissipation	1000mW
Transmitter Electrical Characteristics	
Supply Voltage	3.15 to 3.45V, Typ: 3.3V
Data Differential Input Voltage	400 to 2000mV
Disable Input Voltage	-1.81 to -1.48V
Enable Input Voltage	-1.16 to -0.88V
POut@TX Disable Asserted	Max: -45dBm
Transmitter Optical Characteristics	
Output Optical Power on 62.5µm MMF :	-10 to -3dBm
Center Wavelength	830 to 870nm, Typ: 850nm
Spectral Width(RMS)	Max:0.85nm
Optical Rise Time (20%-80%)	Max: 2ns
Optical Fall Time (20%-80%)	Max: 2ns
Extinction Ratio	Min: 9dB
Receiver Electrical Characteristics	
Supply Voltage	3.15 to 3.45V, typ: 3.3V
Data Differential Output Voltage	500 to 1200mV
Receiver LOS/SD Output Voltage-High	Min:2.0V
Receiver LOS/SD OutputVoltage-Low	0 to 0.8V
Data Output Rise Time (20%-80%)	Max:2ns
Data Output Fall Time (20%-80%)	Max:2ns
Receiver Optical Characteristics	
Maximum Receiver Power	Min: -3dBm
Receiver Sensitivity	Max: -28dBm
Operating Wavelength	770 to 870nm
Optical Return Loss	Max:12dB
Signal Detect-Asserted	Max: -28dBm avg.
Signal Detect-Deasserted	Min: -46dBm avg.
Signal Detect-Hysteresis	Min: 0.5dB

Dimension drawings



Units:mm

## Ordering Information

### SFP-W Series

SFP-W	Multi-Mode Fiber Port with LC Connector, 2KM, Industrial Wide Temperature:-40°C to +75°C.
-------	---