



Chipsmall Limited consists of a professional team with an average of over 10 year of expertise in the distribution of electronic components. Based in Hongkong, we have already established firm and mutual-benefit business relationships with customers from,Europe,America and south Asia,supplying obsolete and hard-to-find components to meet their specific needs.

With the principle of “Quality Parts,Customers Priority,Honest Operation,and Considerate Service”,our business mainly focus on the distribution of electronic components. Line cards we deal with include Microchip,ALPS,ROHM,Xilinx,Pulse,ON,Everlight and Freescale. Main products comprise IC,Modules,Potentiometer,IC Socket,Relay,Connector.Our parts cover such applications as commercial,industrial, and automotives areas.

We are looking forward to setting up business relationship with you and hope to provide you with the best service and solution. Let us make a better world for our industry!



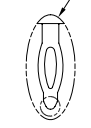
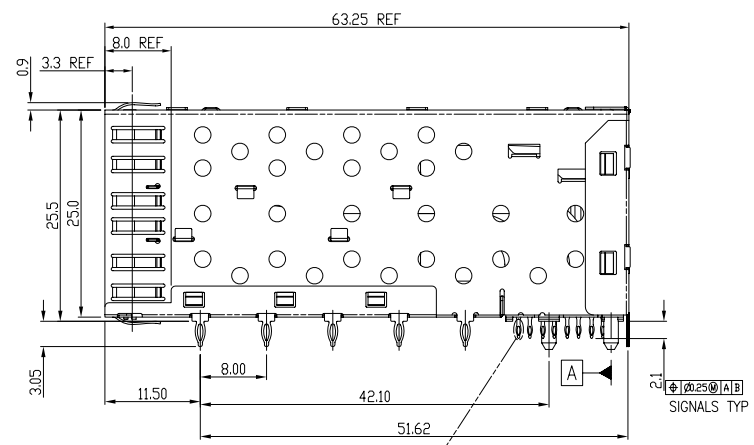
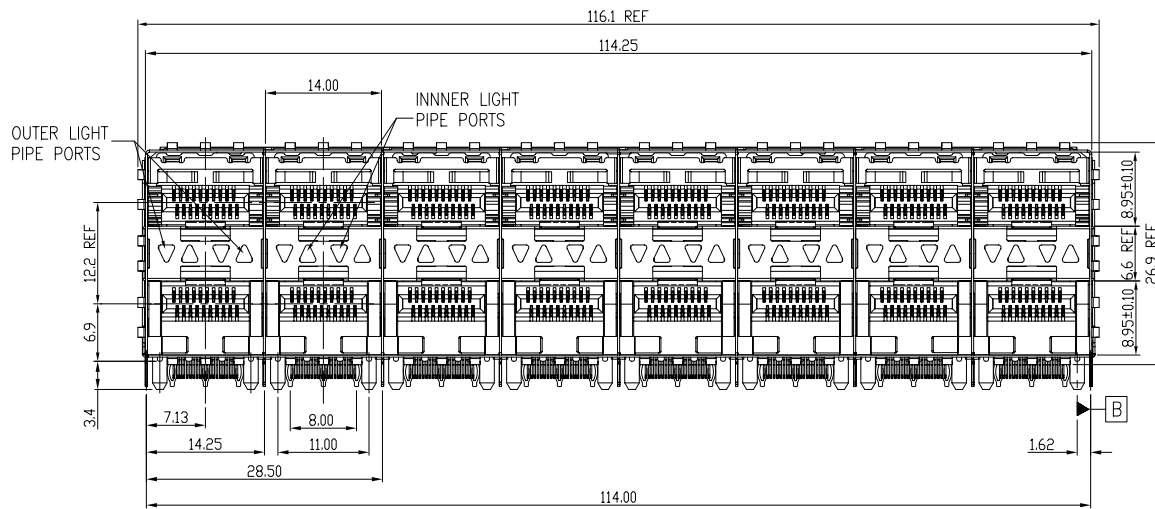
Contact us

Tel: +86-755-8981 8866 Fax: +86-755-8427 6832

Email & Skype: info@chipsmall.com Web: www.chipsmall.com

Address: A1208, Overseas Decoration Building, #122 Zhenhua RD., Futian, Shenzhen, China



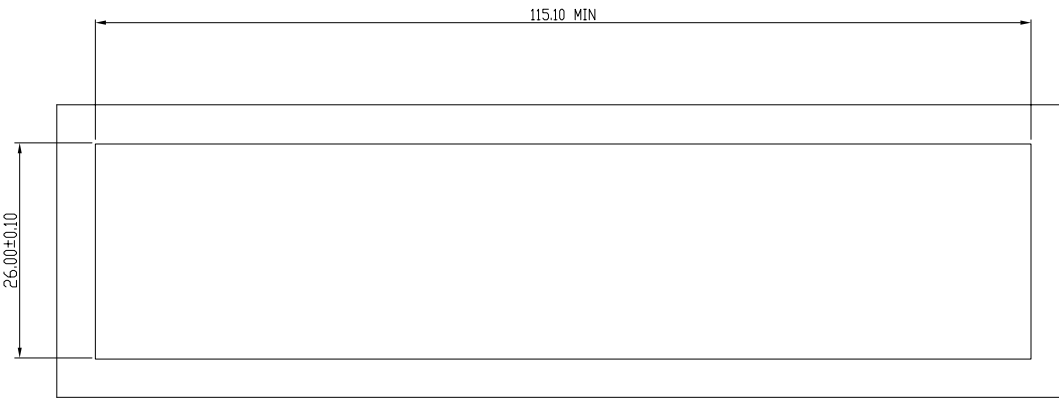


1. FULL RADIUS TYP. ON END OF PINS TO ASSIST ENTRY INTO PCB HOLES.
2. FREE OF BURRS AND OVERHANGS.

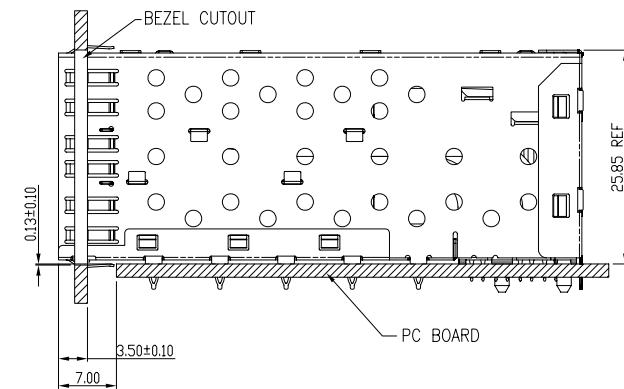
| | | | | |
|-------------|-------------------------|--------|------------------------|---------|
| Qty Per: | TRAY | CARTON | | |
| | 3 | 18 | | |
| PART NUMBER | STATEMENT | | | |
| SFP0-3000-L | INNER/OUTER LIGHT PIPES | | | |
| | INNER LIGHT PIPES | | | |
| | OUTER LIGHT PIPES | | | |
| No. | DESCRIPTION | Q'ty | MATERIAL | PLATING |
| 01 | SFP CAGE (Non-Logo) | 1 | COPPER ALLOY | |
| 02 | CONNECTOR | 8 | HIGH TEMP/COPPER ALLOY | GOLD |
| 03 | LIGHT PIPES | 8 | POLYCARBONITE | |

| | | | | | | |
|----------------|----------------------------|----------------------|---|-------------------------------|----------|---------------|
| DETACHED LISTS | MM (INCH) | RoHS Compliant | | Pulse A TECHNITROL COMPANY | | |
| | TOLERANCES EXCEPT AS NOTED | TITLE | | | | W/LIGHT PIPES |
| | MM | .0 ± 0.25 | ± | SFP 2 by 8 CAGE+CONNECTOR_P | | |
| | | .00 ± 0.20 | ± | | | |
| | .000 ± 0.10 | ± | | | | |
| | ANGLES ± 0.5 | | | | | |
| | THIRD ANGLE PROJECTION | DFTD Jack | | DRAWING NO. CSFP0-3000-L | SIZE REV | |
| | | DATE 1/05/2010 | | /PART NO. SFP0-3000-L | A3 0 | |
| | SCALE : 1 | DO NOT SCALE DRAWING | | SHEET 1 | OF 4 | |

8 | 7 | 6 | 5 | 4 | 3 | 2 | 1



BEZEL CUT-OUT CENTER SPACING DETAIL
 BEZEL THICKNESS:0.8-2.6



8

7

6

5

4

3

2

1

A

B

C

D

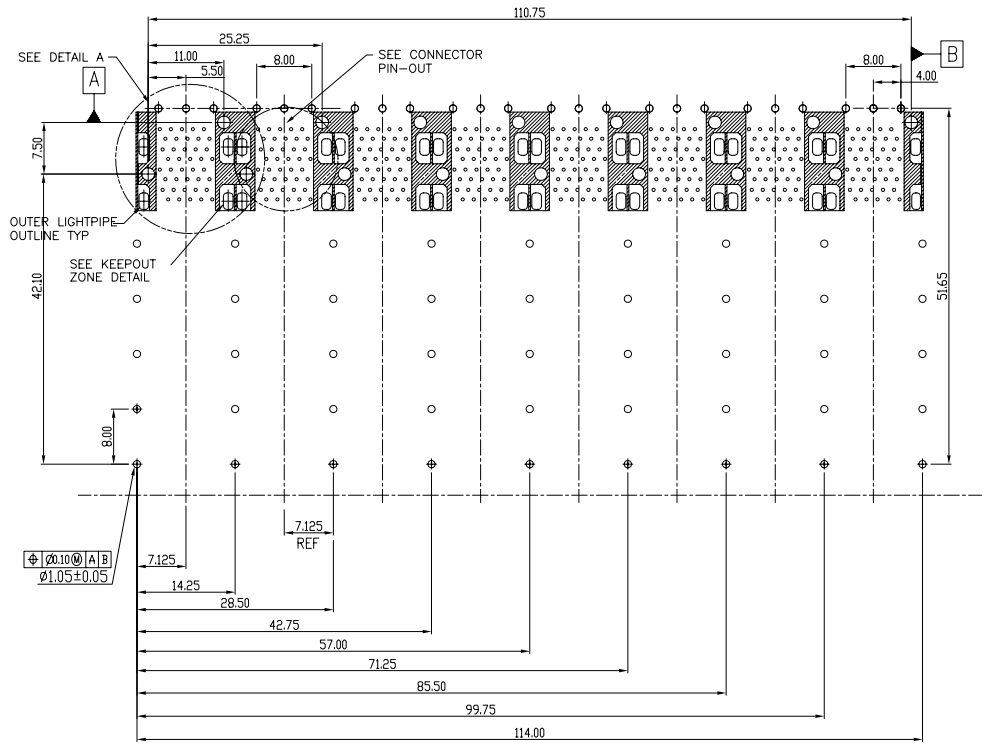
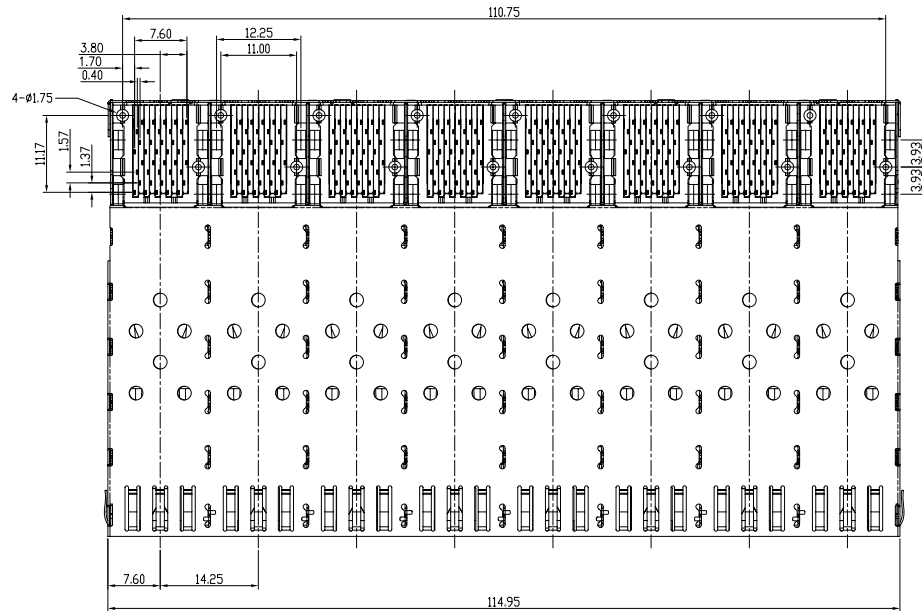
E

F

G

H

| | | | | | | |
|----------------|----------------------------|--|---|----------------------|--|---|
| DETACHED LISTS | MM (INCH) | | RoHS Compliant | | | |
| | TOLERANCES EXCEPT AS NOTED | | TITLE SFP 2 by 8 CAGE+CONNECTOR_P W/LIGHT PIPES | | | |
| | MM | | | | | |
| | .0 ± 0.25 | ± | | | | |
| .00 ± 0.20 | ± | DFTD Jack DATE 1/05/2010 SCALE : 2:1 | | | | |
| .000 ± 0.10 | ± | | | | | DRAWING NO. CSFP0-3000-L /PART NO. SFP0-3000-L |
| ANGLES ± 0.5 | | THIRD ANGLE PROJECTION | | DO NOT SCALE DRAWING | | SHEET 2 OF 4 |



8

7

6

5

4

3

2

1

| | | | | | |
|----------------------------|---|-----------------------------|--|--------------------------|--------------|
| ← MM (INCH) → | | RoHS Compliant | | | |
| TOLERANCES EXCEPT AS NOTED | | TITLE | | | |
| MM | | W/LIGHT PIPES | | | |
| .0 ± 0.25 | ± | SFP 2 by 8 CAGE+CONNECTOR_P | | | |
| .00 ± 0.20 | ± | DFTD Jack | | DRAWING NO. CSFP0-3000-L | |
| .000 ± 0.10 | ± | DATE 1/05/2010 | | /PART NO. SFP0-3000-L | |
| ANGLES ± 0.5 | | SCALE : 2:1 | | DO NOT SCALE DRAWING | SHEET 3 OF 4 |
| THIRD ANGLE PROJECTION | | SIZE A3 | | REV 0 | |

H

G

F

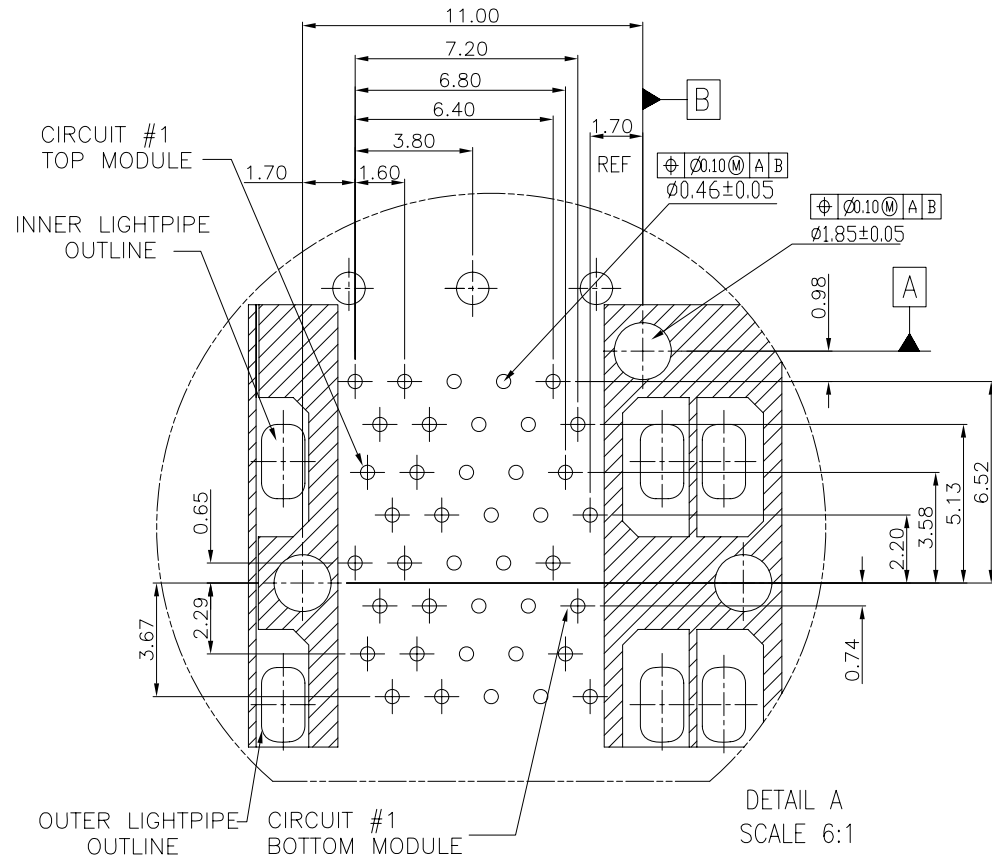
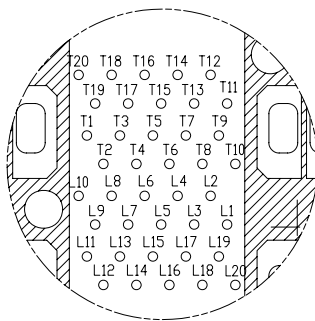
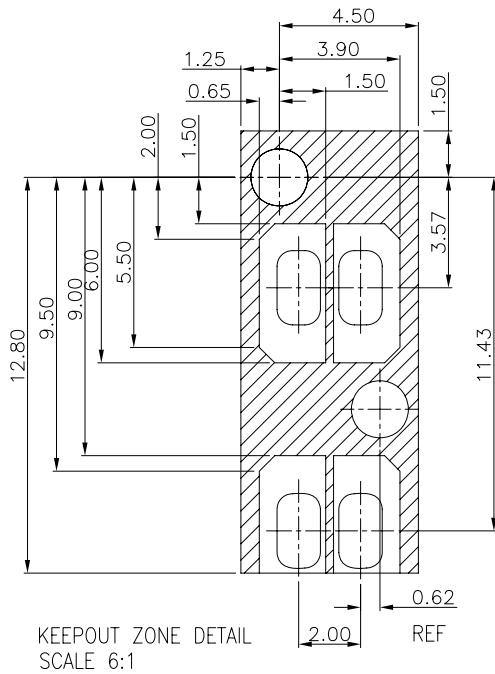
E

D

C

B

A



| | | | | | |
|--|--------------|--|---|-------------------|--|
| MM (INCH) | | RoHS Compliant | | | |
| TOLERANCES EXCEPT AS NOTED | | | | | |
| DETACHED LISTS | MM | | | | |
| | .0 ± 0.25 | | ± | | |
| | .00 ± 0.20 | | ± | | |
| | .000 ± 0.10 | | ± | | |
| | ANGLES ± 0.5 | | | | |
| THIRD ANGLE PROJECTION | | TITLE W/LIGHT PIPES SFP 2 by 8 CAGE+CONNECTOR_P | | SIZE A3 | |
| DFTD Jack DATE 1/05/2010 SCALE : 2:1 | | DRAWING NO. CSFP0-3000-L /PART NO. SFPO-3000-L | | REV 0 | |
| DO NOT SCALE DRAWING | | | | SHEET 4 OF 4 | |