



Chipsmall Limited consists of a professional team with an average of over 10 year of expertise in the distribution of electronic components. Based in Hongkong, we have already established firm and mutual-benefit business relationships with customers from,Europe,America and south Asia,supplying obsolete and hard-to-find components to meet their specific needs.

With the principle of “Quality Parts,Customers Priority,Honest Operation,and Considerate Service”,our business mainly focus on the distribution of electronic components. Line cards we deal with include Microchip,ALPS,ROHM,Xilinx,Pulse,ON,Everlight and Freescale. Main products comprise IC,Modules,Potentiometer,IC Socket,Relay,Connector.Our parts cover such applications as commercial,industrial, and automotives areas.

We are looking forward to setting up business relationship with you and hope to provide you with the best service and solution. Let us make a better world for our industry!



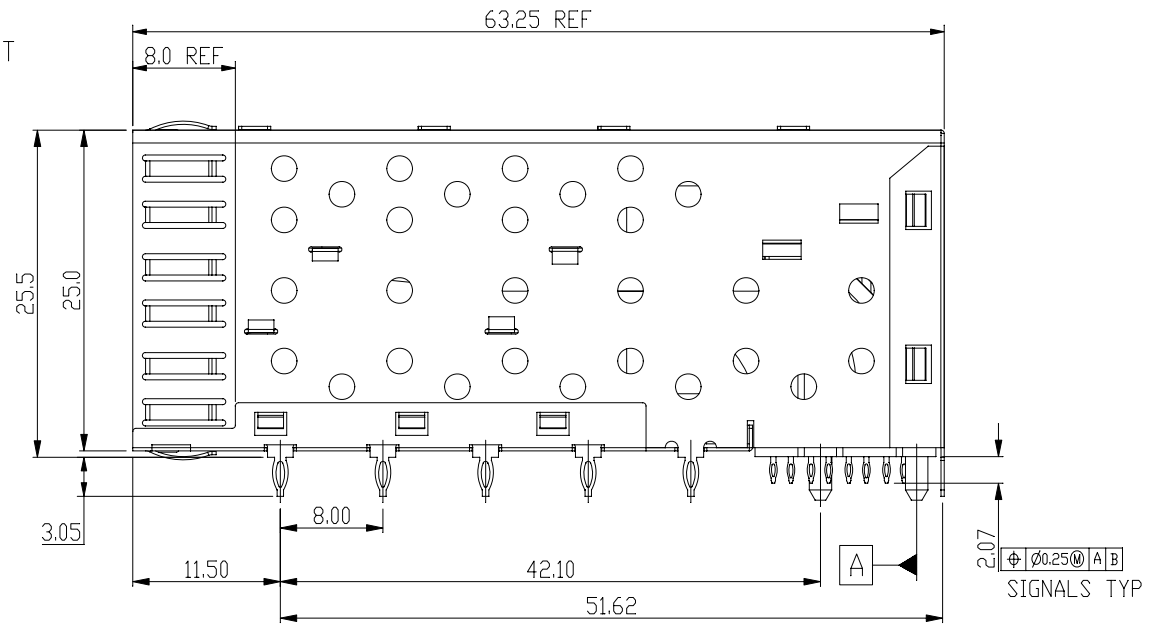
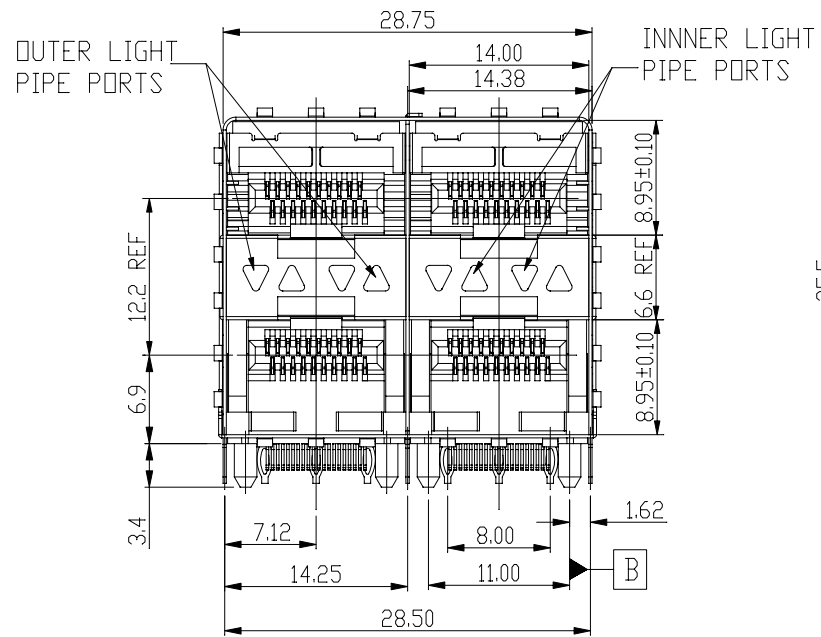
## Contact us

Tel: +86-755-8981 8866 Fax: +86-755-8427 6832

Email & Skype: info@chipsmall.com Web: www.chipsmall.com

Address: A1208, Overseas Decoration Building, #122 Zhenhua RD., Futian, Shenzhen, China





Qty Per:	TRAY	CARTON		
	12	72		
PART NUMBER	STATEMENT			
SFP0-3030-L	INNER/OUTER LIGHT PIPES			
No.	DESCRIPTION	Q'ty	MATERIAL	PLATING
01	SFP CAGE (Non-Logo)	1	COPPER ALLOY	
02	CONNECTOR	2	HIGH TEMP/COPPER ALLOY	GOLD
03	LIGHT PIPES	2	POLYCARBONITE	

DETACHED LISTS	MM (INCH)	<b>RoHS Compliant</b>		
	TOLERANCES EXCEPT AS NOTED	TITLE		
	MM .0 ± 0.25 ± .00 ± 0.2 ± .000 ± 0.10 ±	ANGLES ± 0.5	SFP 2 BY 2 CAGE+CONNECTOR_P	
	THIRD ANGLE PROJECTION	DFTD Jack DATE 6/09/10'	DRAWING NO. CSFP0-3030-L /PART NO. SFP0-3030-L	SIZE A3
SCALE : 2:1		DO NOT SCALE DRAWING	SHEET 1	OF 4

8

7

6

5

4

3

2

1

H

G

F

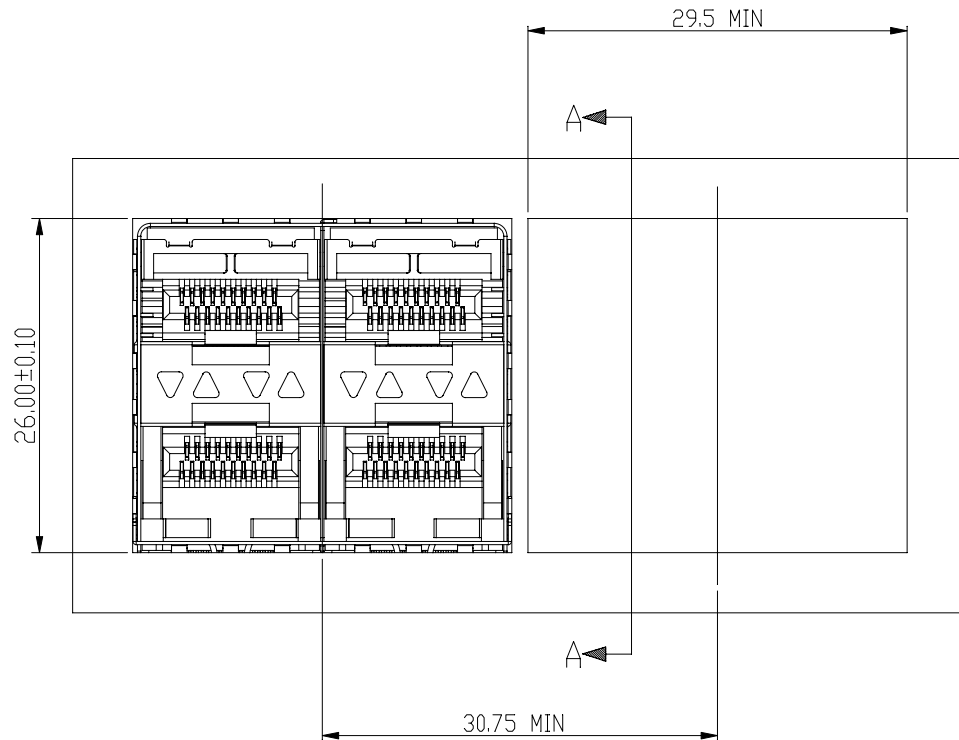
E

D

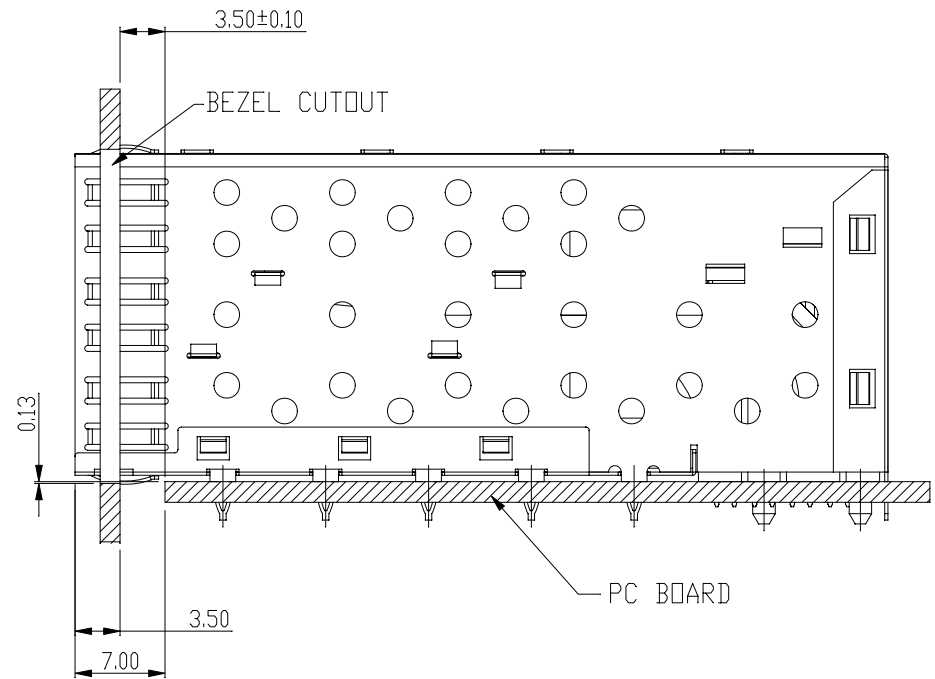
C

B

A



BEZEL CUT-OUT CENTER SPACING DETAIL  
BEZEL THICKNESS:0.8-2.6

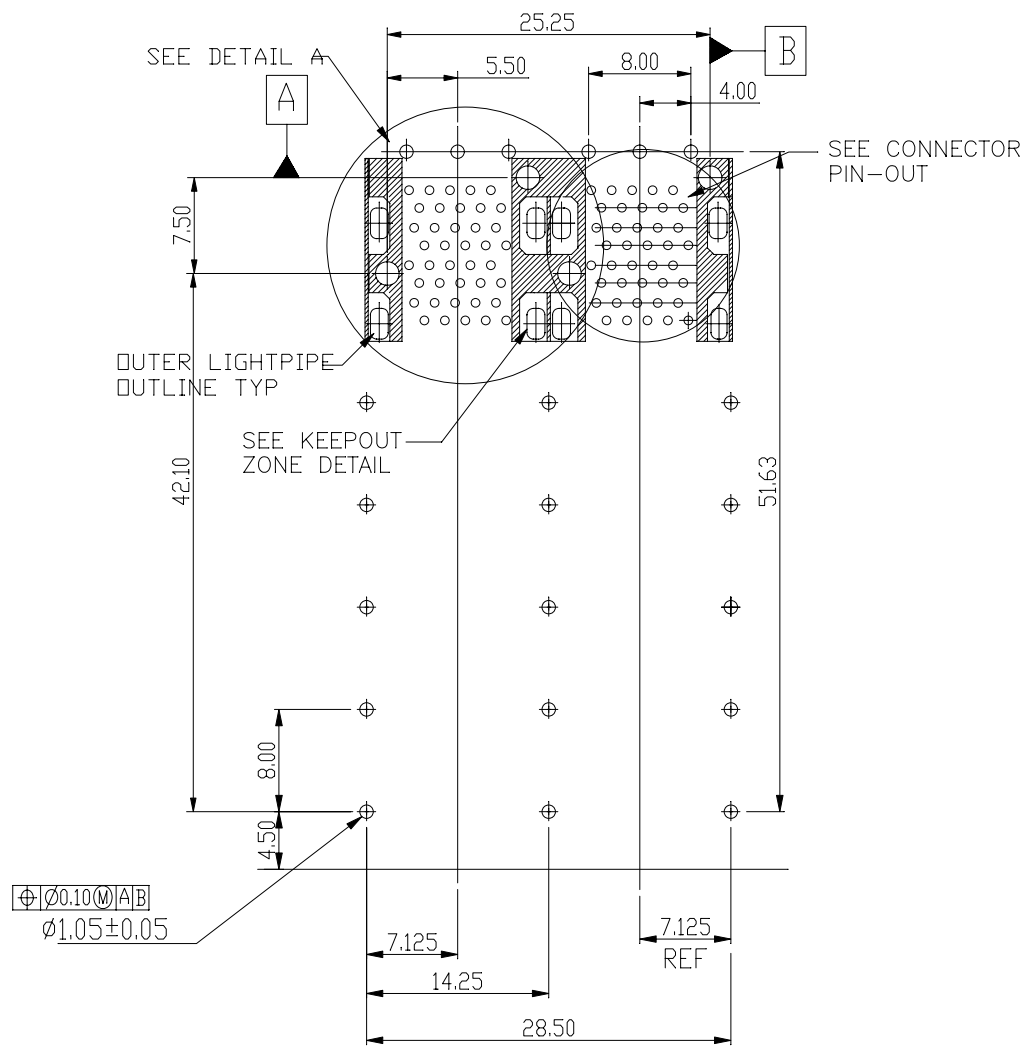
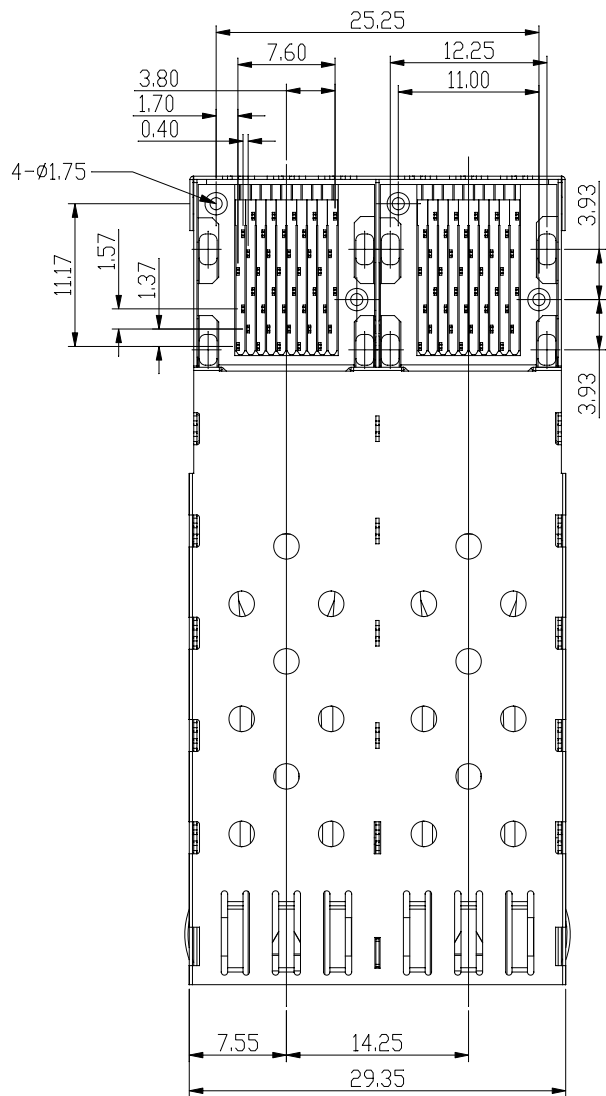


SECTION A-A

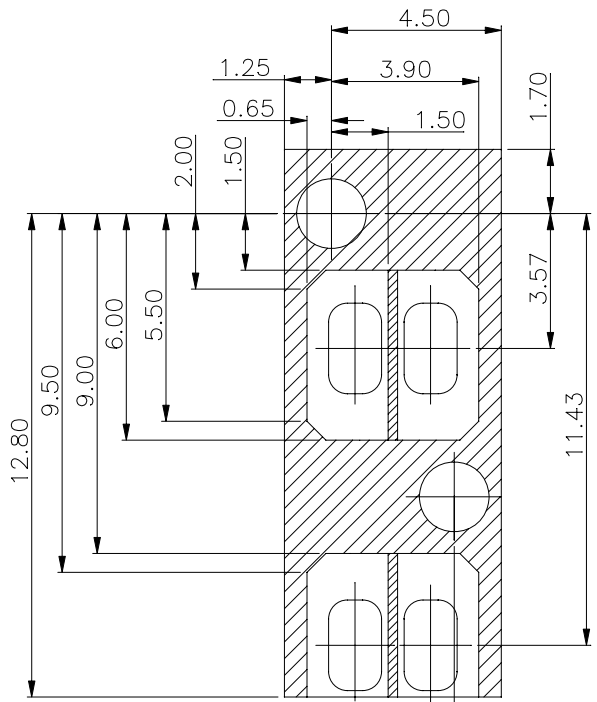
8 | 7 | 6 | 5 | 4 | 3 | 2 | 1

DETACHED LISTS	← MM (INCH) →	<b>RoHS Compliant</b>				
	TOLERANCES EXCEPT AS NOTED					
	MM	±	TITLE SFP 2 BY 2 CAGE+CONNECTOR_P W/LIGHT PIPES			
	.0 ± 0.25	±				
.00 ± 0.2	±					
.000 ± 0.10	±	DRAWING NO. CSFP0-3030-L DATE 6/09/10'		SIZE A3	REV 2	
ANGLES ± 0.5	THIRD ANGLE PROJECTION		SCALE : 2:1		DO NOT SCALE DRAWING	
		DRAWING NO. CSFP0-3030-L DATE 6/09/10'		PART NO. SFP0-3030-L		
			SHEET 2		OF 4	

H  
G  
F  
E  
D  
C  
B  
A

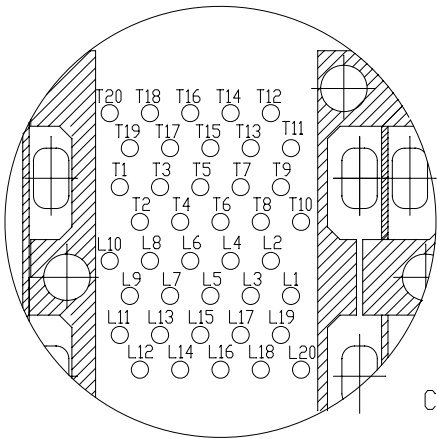


← MM (INCH) → TOLERANCES EXCEPT AS NOTED		<b>RoHS Compliant</b>			
DETACHED LISTS	MM	±	TITLE SFP 2 BY 2 CAGE+CONNECTOR_P W/LIGHT PIPES		
	.0	± 0.25			
	.00	± 0.2			
	.000	± 0.10	DFTO Jack DATE 6/09/10'		
ANGLES ± 0.5		DRAWING NO. CSFP0-3030-L /PART NO. SFPO-3030-L			
 THIRD ANGLE PROJECTION		SCALE : 2:1		DO NOT SCALE DRAWING	
				SHEET 3 OF 4	

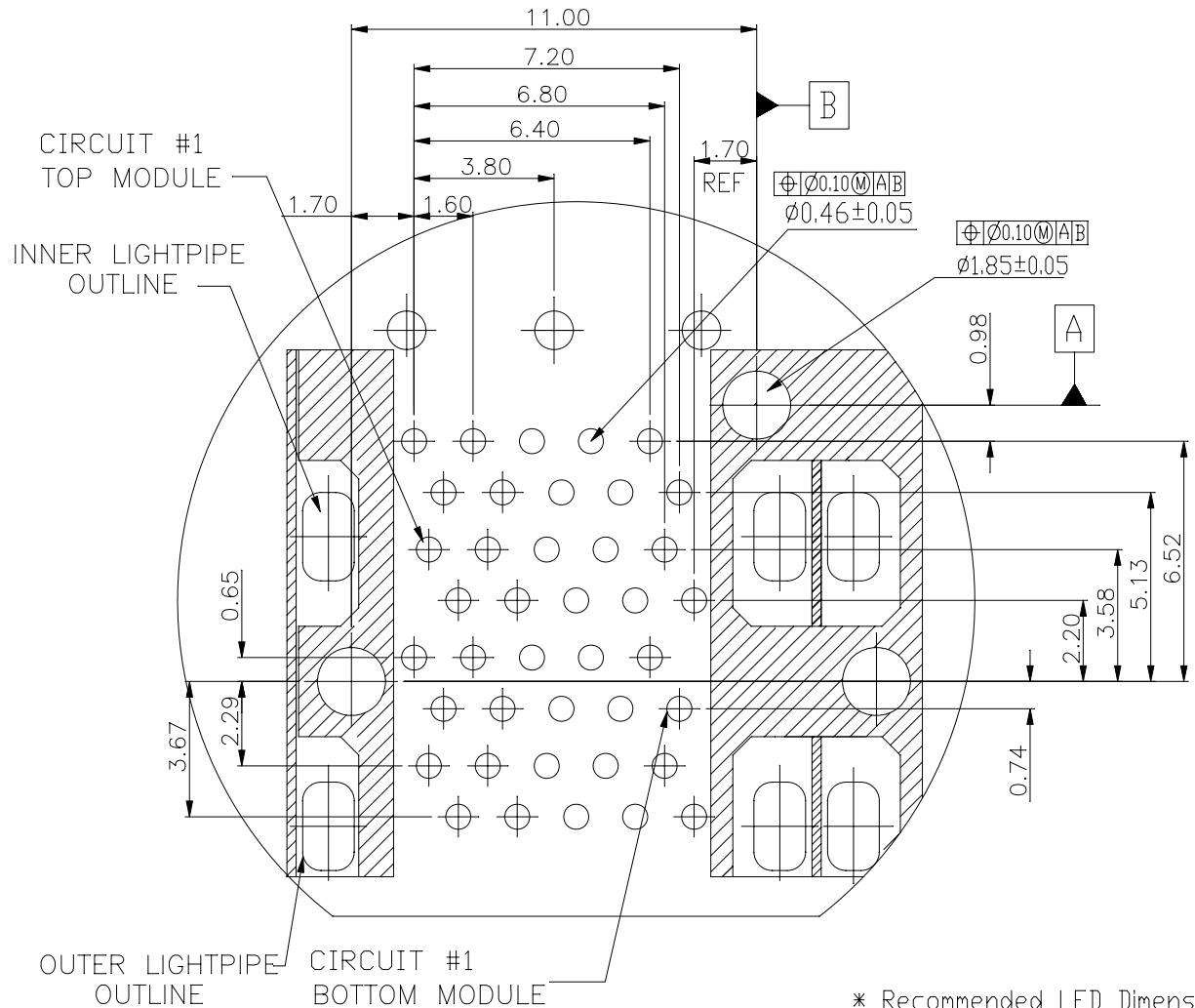


KEEPOUT ZONE DETAIL  
SCALE 6:1

2.00 REF  
0.62 REF



CONNECTOR PIN-OUT  
COMPONENT SIDE OF BOARD



DETAIL A  
SCALE 6:1

- \* Recommended LED Dimensions
- Dimensions(WxLxH):
- 0.5x1.0x0.5 mm
- 0.8x1.6x0.5 mm
- 1.25x2.0x0.8 mm
- 1.25x1.6x0.65 mm

DETACHED LISTS THIRD ANGLE PROJECTION	MM (INCH)	<b>RoHS Compliant</b>			
	TOLERANCES EXCEPT AS NOTED MM .0 ± 0.25 ± .00 ± 0.2 ± .000 ± 0.10 ±	TITLE SFP 2 BY 2 CAGE+CONNECTOR_P	W/LIGHT PIPES		
	ANGLES ± 0.5	DFTD Jack DATE 6/09/10'	DRAWING NO. CSFP0-3030-L /PART NO. SFP0-3030-L	SIZE A3	REV 2
	SCALE : 2:1	DO NOT SCALE DRAWING	SHEET 4	OF 4	