



Chipsmall Limited consists of a professional team with an average of over 10 year of expertise in the distribution of electronic components. Based in Hongkong, we have already established firm and mutual-benefit business relationships with customers from,Europe,America and south Asia,supplying obsolete and hard-to-find components to meet their specific needs.

With the principle of “Quality Parts,Customers Priority,Honest Operation,and Considerate Service”,our business mainly focus on the distribution of electronic components. Line cards we deal with include Microchip,ALPS,ROHM,Xilinx,Pulse,ON,Everlight and Freescale. Main products comprise IC,Modules,Potentiometer,IC Socket,Relay,Connector.Our parts cover such applications as commercial,industrial, and automotives areas.

We are looking forward to setting up business relationship with you and hope to provide you with the best service and solution. Let us make a better world for our industry!



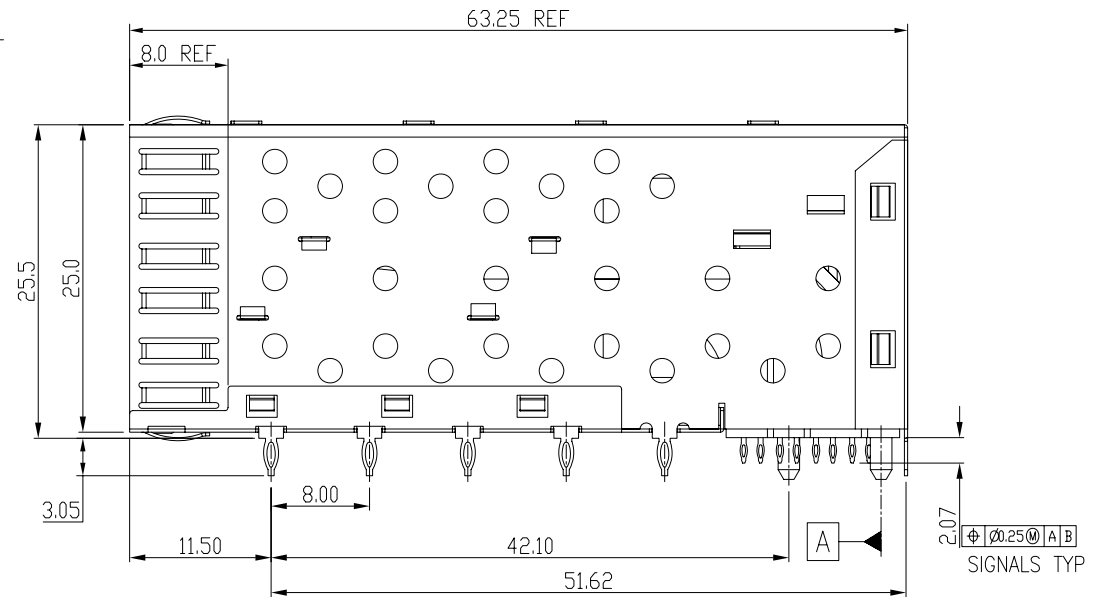
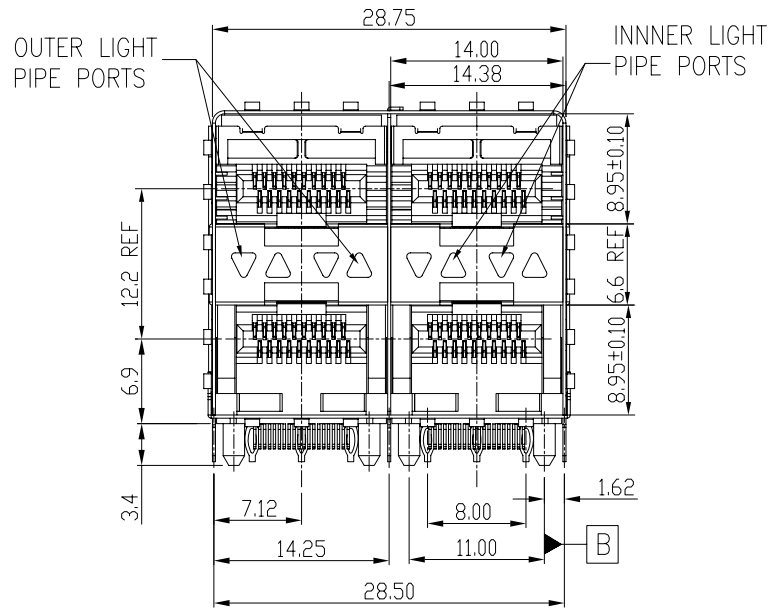
Contact us

Tel: +86-755-8981 8866 Fax: +86-755-8427 6832

Email & Skype: info@chipsmall.com Web: www.chipsmall.com

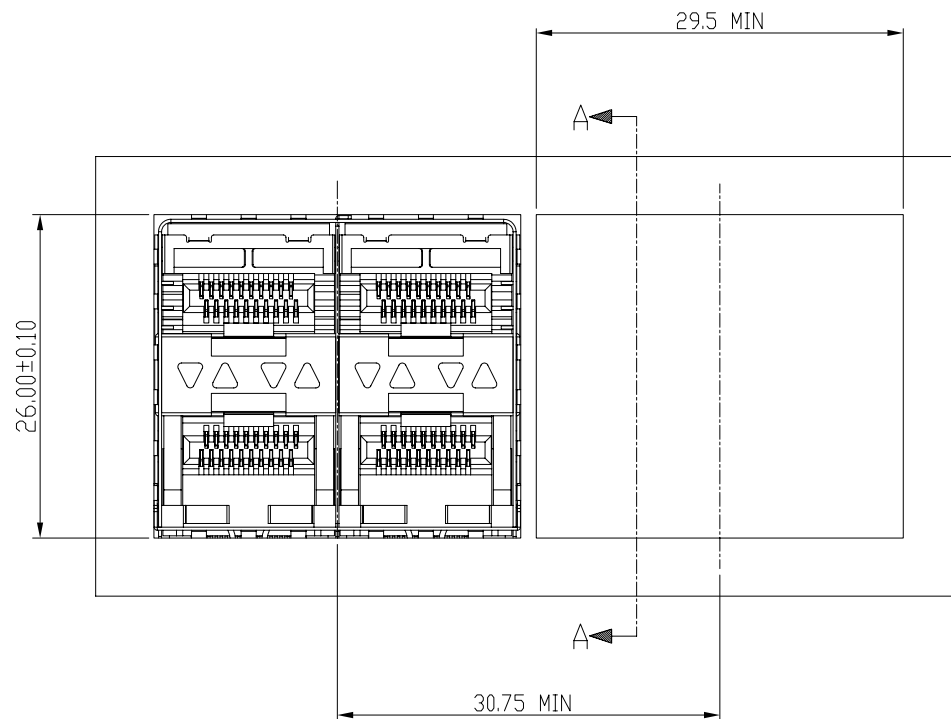
Address: A1208, Overseas Decoration Building, #122 Zhenhua RD., Futian, Shenzhen, China



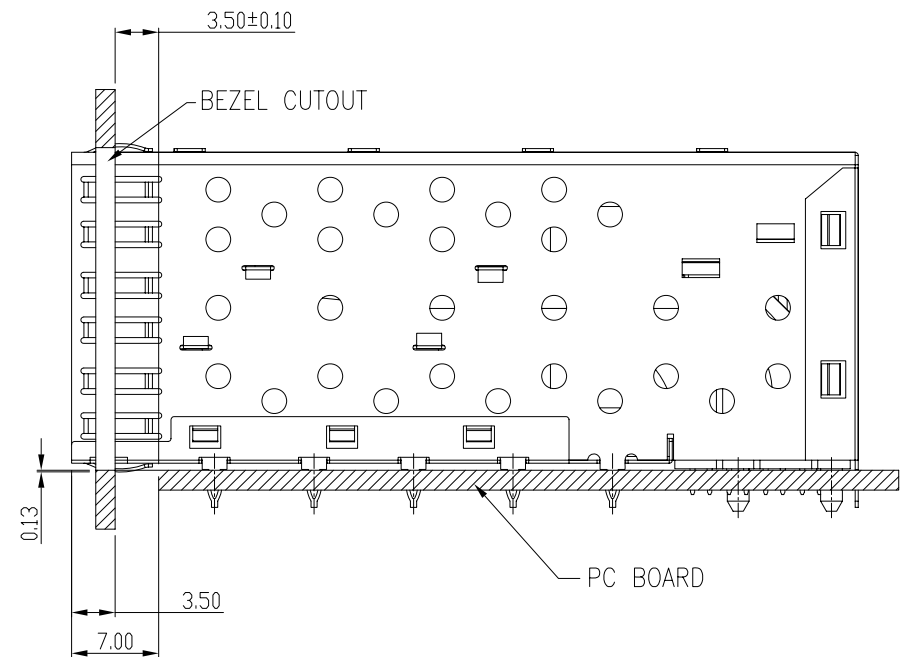


Qty Per:	TRAY	CARTON		
	12	72		
PART NUMBER	STATEMENT			
SFP004-L	INNER/OUTER LIGHT PIPES			
No.	DESCRIPTION	Q'ty	MATERIAL	PLATING
01	SFP CAGE (Non-Logo)	1	COPPER ALLOY	NICKEL
02	CONNECTOR	2	HIGH TEMP/COPPER ALLOY	GOLD
03	LIGHT PIPES	2	POLYCARBONITE	

DETACHED LISTS	MM (INCH)	RoHS Compliant		
	TOLERANCES EXCEPT AS NOTED	TITLE SFP 2 BY 2 CAGE+CONNECTOR_P		
	MM		W/LIGHT PIPES	
	.0 ± 0.25	±	DFTD Jack	DRAWING NO. CSFP004-L
	.00 ± 0.2	±	DATE 11/20/08'	/PART NO. SFP004-L
	.000 ± 0.10	±	SCALE : 2:1	DO NOT SCALE DRAWING
	ANGLES ± 0.5		SHEET 1 OF 4	
		THIRD ANGLE PROJECTION	SIZE A3	REV 1



BEZEL CUT-OUT CENTER SPACING DETAIL
BEZEL THICKNESS:0.8-2.6



SECTION A-A

MM (INCH)		RoHS Compliant			
TOLERANCES EXCEPT AS NOTED					
MM		INCH		TITLE	
.0 ± 0.25	±			W/LIGHT PIPES	
.00 ± 0.2	±			SFP 2 BY 2 CAGE+CONNECTOR_P	
.000 ± 0.10	±				
ANGLES ± 0.5					
		THIRD ANGLE PROJECTION			
DFTD Jack		DRAWING NO. CSFP004-L		SIZE REV	
DATE 11/20/08		/PART NO. SFP004-L		A3 1	
SCALE : 2:1		DO NOT SCALE DRAWING		SHEET 2 OF 4	

8

7

6

5

4

3

2

1

A

B

C

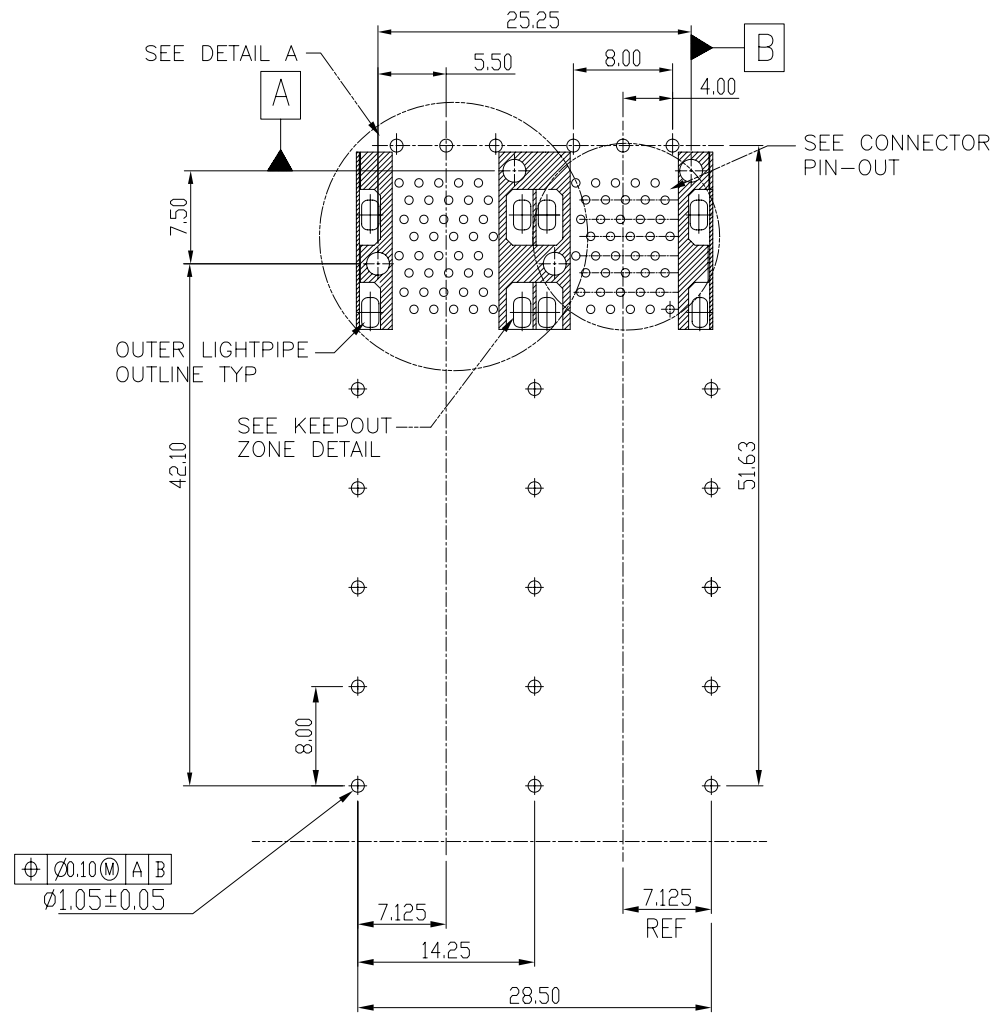
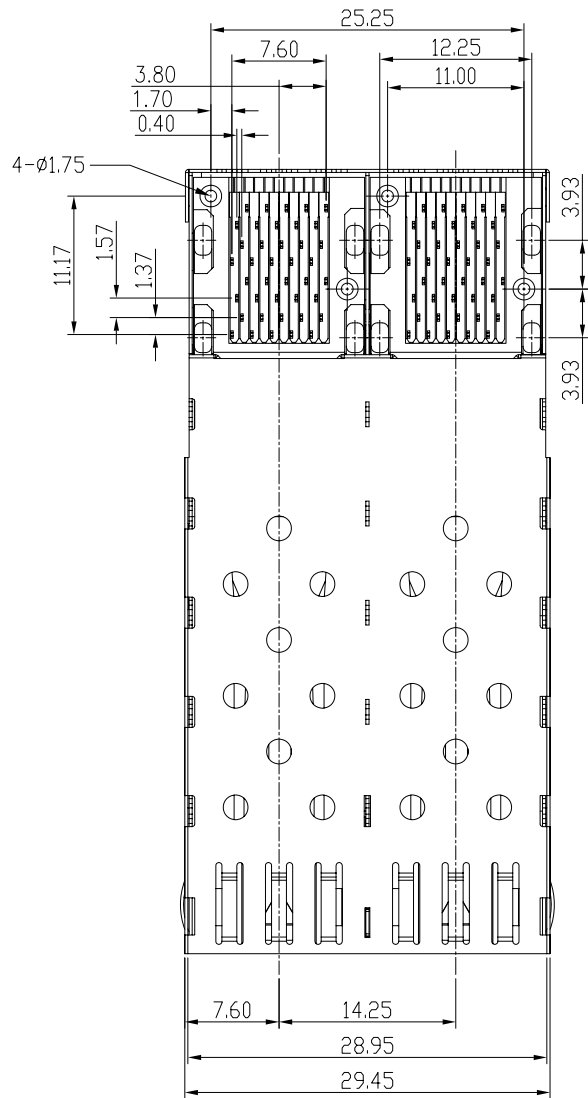
D

E

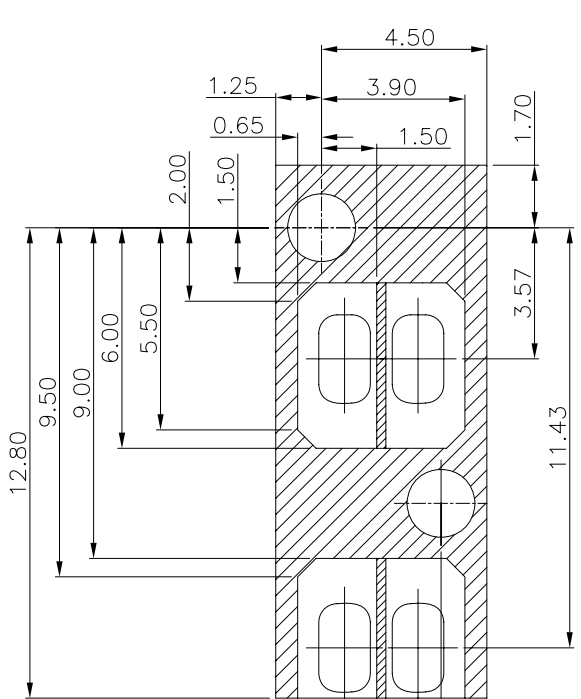
F

G

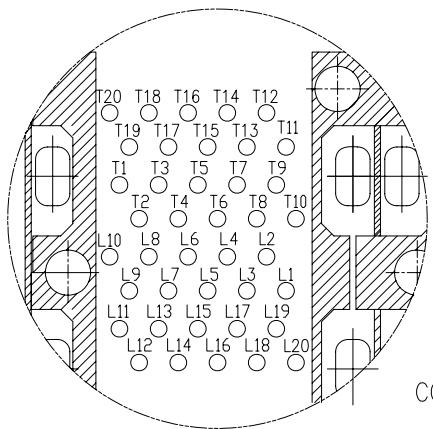
H



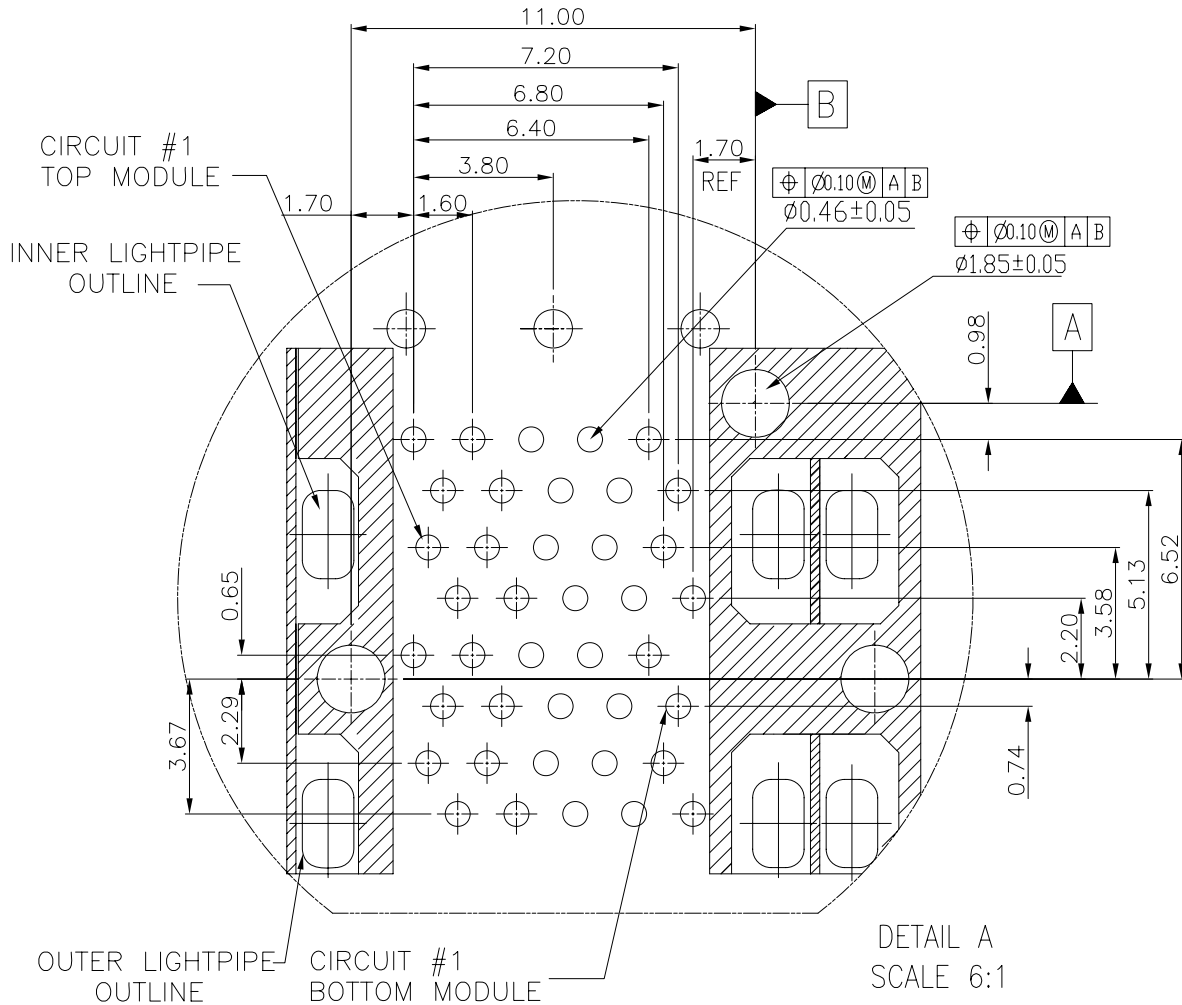
MM (INCH)		RoHS Compliant			
TOLERANCES EXCEPT AS NOTED		TITLE SFP 2 BY 2 CAGE+CONNECTOR_P W/LIGHT PIPES			
MM .0 ± 0.25 .00 ± 0.2 .000 ± 0.10	± ± ±	DRAWING NO. CSFP004-L /PART NO. SFP004-L		SIZE A3	REV 1
ANGLES ± 0.5		DFTD Jack DATE 11/20/08		DO NOT SCALE DRAWING	
THIRD ANGLE PROJECTION		SCALE : 2:1		SHEET 3 OF 4	



KEEPOUT ZONE DETAIL
SCALE 6:1



CONNECTOR PIN-OUT
COMPONENT SIDE OF BOARD



DETAIL A
SCALE 6:1

MM (INCH)		RoHS Compliant		Pulse A TECHNITROL COMPANY	
TOLERANCES EXCEPT AS NOTED		TITLE SFP 2 BY 2 CAGE+CONNECTOR_P			
DETACHED LISTS		MM		W/LIGHT PIPES	
.0 ± 0.25	±	.00 ± 0.2		SIZE	REV
.000 ± 0.10	±	ANGLES ± 0.5		A3	1
THIRD ANGLE PROJECTION		DFTD Jack		DRAWING NO. CSFP004-L	
		DATE 11/20/08		/PART NO. SFP004-L	
		SCALE : 2:1		DO NOT SCALE DRAWING	
				SHEET 4 OF 4	