



Chipsmall Limited consists of a professional team with an average of over 10 year of expertise in the distribution of electronic components. Based in Hongkong, we have already established firm and mutual-benefit business relationships with customers from,Europe,America and south Asia,supplying obsolete and hard-to-find components to meet their specific needs.

With the principle of “Quality Parts,Customers Priority,Honest Operation,and Considerate Service”,our business mainly focus on the distribution of electronic components. Line cards we deal with include Microchip,ALPS,ROHM,Xilinx,Pulse,ON,Everlight and Freescale. Main products comprise IC,Modules,Potentiometer,IC Socket,Relay,Connector.Our parts cover such applications as commercial,industrial, and automotives areas.

We are looking forward to setting up business relationship with you and hope to provide you with the best service and solution. Let us make a better world for our industry!



## Contact us

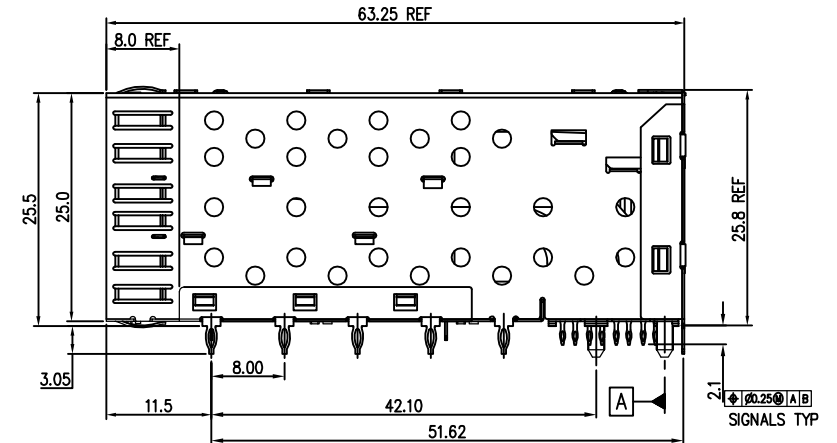
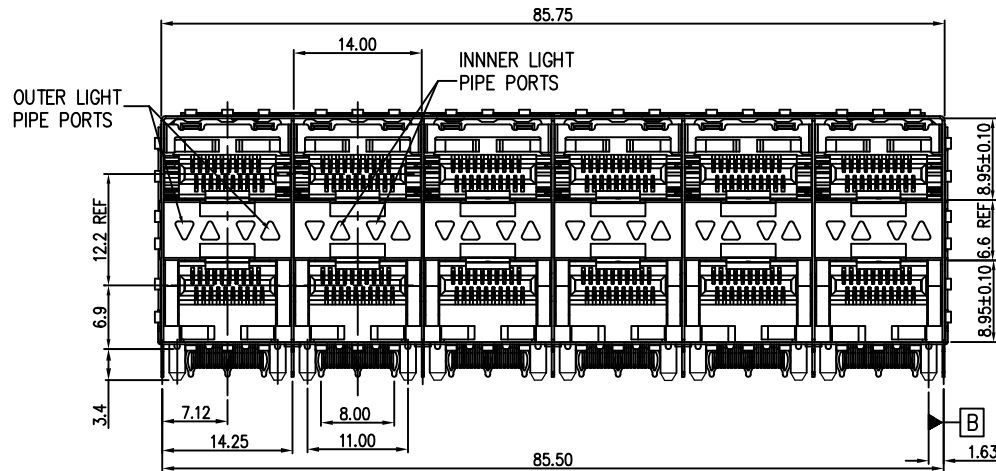
Tel: +86-755-8981 8866 Fax: +86-755-8427 6832

Email & Skype: info@chipsmall.com Web: www.chipsmall.com

Address: A1208, Overseas Decoration Building, #122 Zhenhua RD., Futian, Shenzhen, China



REVISION RECORD		
REV	DESCRIPTION	DRFT
1	ADD NOTE	Jack 9/03/10'
2	(1) CHANGE TO 3 ROW TABS (2) ADD TRACE KEEP OUT AREA&DIMENSION	Jack 9/29/10'
3	MODIFY PLATING SPECIFICATION	Jack 1/27/11'
4	ADD DETAIL VIEW	Jack 1/30/12'
5	CHANGE PLASTIC MATERIAL	Roy 1/14/14'

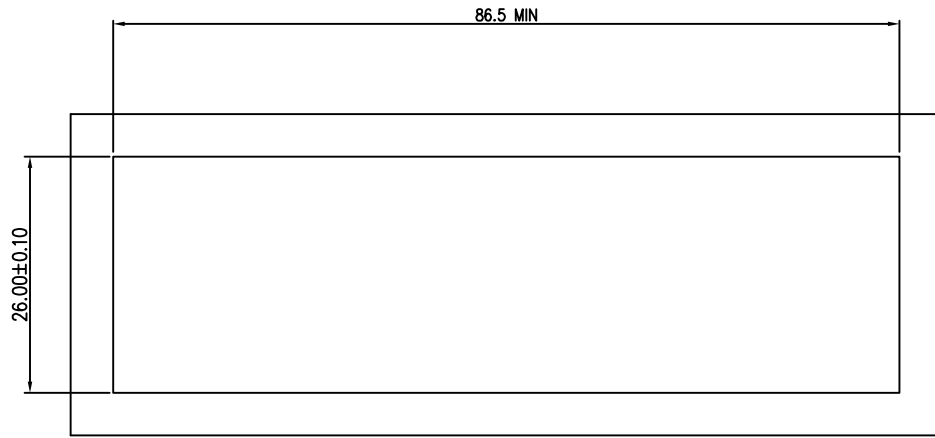


- NOTES:
- MATERIAL:  
CONNECTOR  
HOUSING: GLASS FILLED LIQUID CRYSTAL POLYMER(LCP) UL94V-0. BLACK.  $\Delta$   
TERMINALS: PHOS-BRONZE  $t=0.2\text{mm}$  .  
OVERMOLDED TERMINAL HOUSING: GLASS FILLED LIQUID CRYSTAL POLYMER(LCP) UL94V-0. BLACK.  $\Delta$   
CAGE ASSEMBLY: COPPER-NICKEL-ZINC ALLOY  $t=0.25\text{mm}$ .
  - FINISH:  
TERMINAL:  
1)  $50\mu$  MIN NICKEL PLATING OVER ALL.  
2)  $30\mu$  MIN GOLD PLATING ON MATING AREA.
  - PRESS FIT HOLES:  
CONTACT:  
1) HOLE DIAMETER AFTER PLATING: 0.41-0.51mm.  
2) DRILLED HOLE: 0.535-0.585mm  
CAGE:  
1) HOLE DIAMETER AFTER PLATING: 1.00-1.10mm.  
2) DRILLED HOLE: 1.125-1.175mm.
  - RATING:  
1) VOLTAGE: 120V r.m.s  
2) CURRENT RATING: 0.5Amp. MAXIMUM PER INDIVIDUAL CONTACT.  
3) OPERATING TEMPERATURE: -55°C TO 85°C  
4) INSULATION RESISTANCE: 1000 mega-ohms Min.

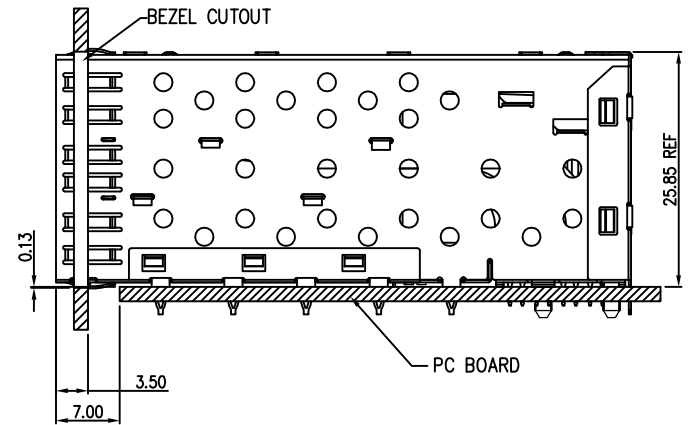
PART NUMBER	DESCRIPTION	REV	GOLD PLATING
SFP005-03-L	WITH INNER/OUTER LIGHT PIPES, PULSE LAYOUT	F	$30\mu$

DETACHED LISTS	MM (INCH)	DFTO Roy	DATE 01/14/2014		RoHS Compliant
	TOLERANCES EXCEPT AS NOTED	CHKD	DATE		
	MM	APPVL	DATE	TITLE	
	.0 ± 0.20 ± .00 ± 0.15 ± .000 ± 0.075 ±	MATERIAL :	SFP 2BY 6 CAGE+CONNECTOR_P		
ANGLES ± 0.5°	QTY :	DRAWING NO. CSFP005-03-L	SIZE A3	REV 5	
	FINISH :	/PART NO. SFP005-03-L			
THIRD ANGLE PROJECTION	SCALE : 1:1	DO NOT SCALE DRAWING	SHEET 1	OF 4	

REVISION RECORD		
REV	DESCRIPTION	DRFT
1	ADD NOTE	Jack 9/03/10'
2	(1) CHANGE TO 3 ROW TABS (2) ADD TRACE KEEP OUT AREA&DIMENSION	Jack 9/29/10'
3	MODIFY PLATING SPECIFICATION	Jack 1/27/11'
4	ADD DETAIL VIEW	Jack 1/30/12'
5	CHANGE PLASTIC MATERIAL	Roy 1/14/14'

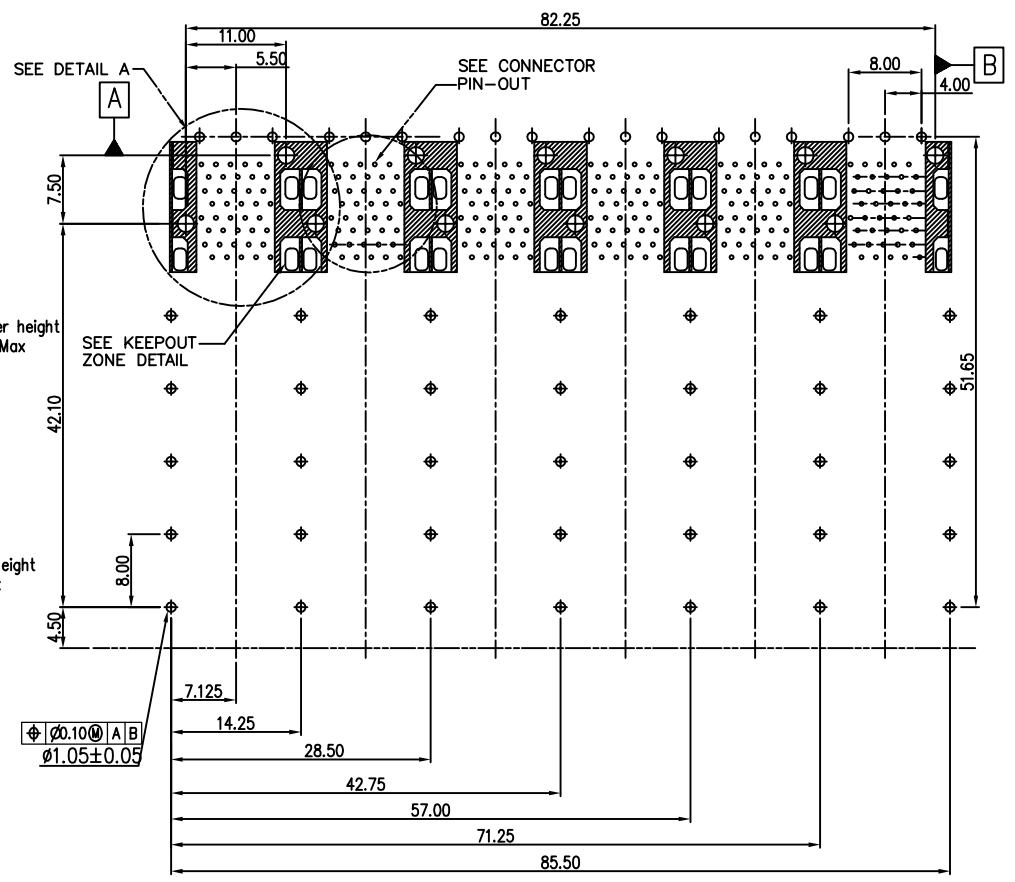
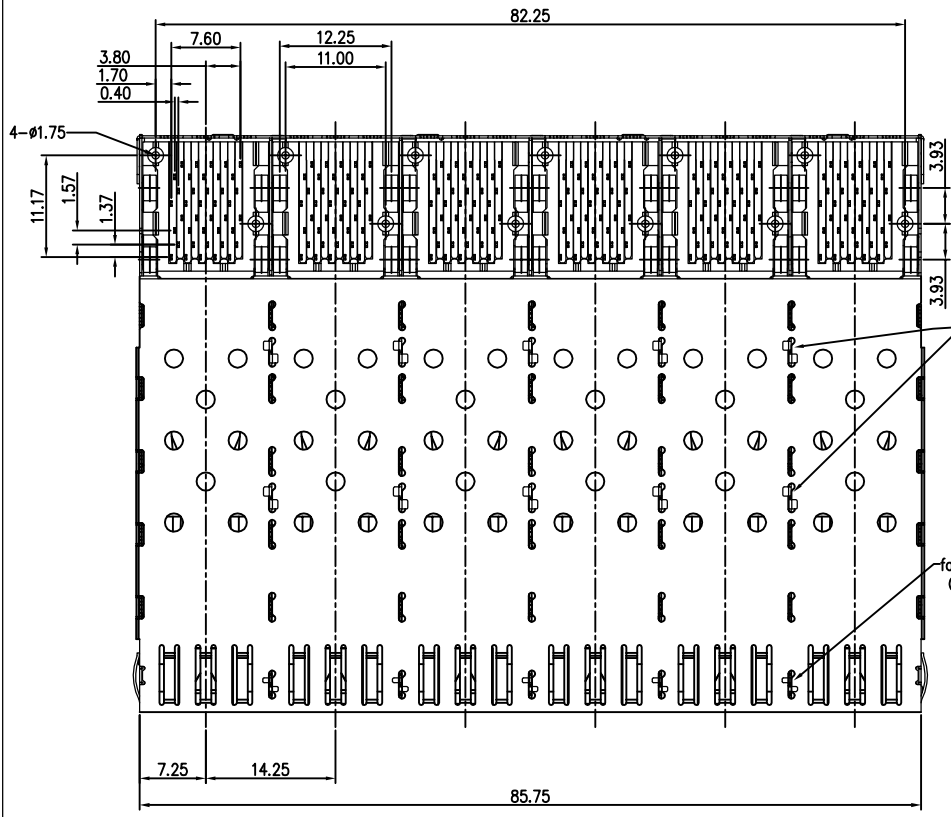


BEZEL CUT-OUT CENTER SPACING DETAIL  
BEZEL THICKNESS: 0.8-2.6



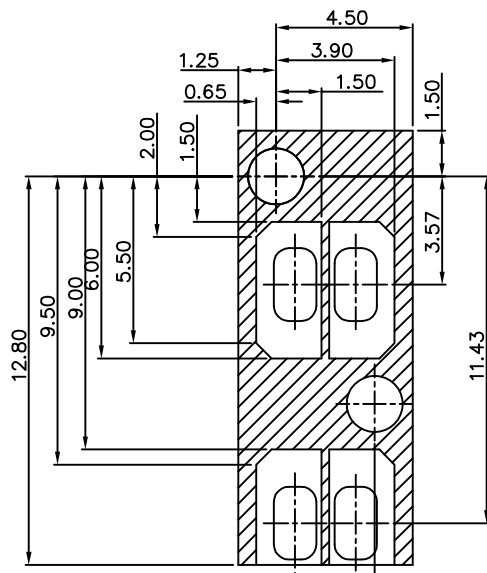
DETACHED LISTS	$\leftarrow$ MM $\rightarrow$ (INCH)		DFTO Roy	DATE 01/14/2014		RoHS Compliant			
	TOLERANCES EXCEPT AS NOTED		CHKD	DATE		TITLE			
	MM	±	APPVL	DATE	SFP 2BY 6 CAGE+CONNECTOR_P				
	.0 ± 0.20	±	MATERIAL :		DRAWING NO.	CSFP005-03-L	SIZE	REV	
	.00 ± 0.15	±	QTY :		/PART NO.	SFP005-03-L	A3	5	
.000 ± 0.075	±	FINISH :		DO NOT SCALE DRAWING		SHEET	2	OF	4
ANGLES ± 0.5°		SCALE : 1:1							
 THIRD ANGLE PROJECTION									

REVISION RECORD		
REV	DESCRIPTION	DRFT
1	ADD NOTE	Jack 9/03/10'
2	(1) CHANGE TO 3 ROW TABS (2) ADD TRACE KEEP OUT AREA&DIMENSION	Jack 9/28/10'
3	MODIFY PLATING SPECIFICATION	Jack 1/27/11'
4	ADD DETAIL VIEW	Jack 1/30/12'
5	CHANGE PLASTIC MATERIAL	Roy 1/14/14'

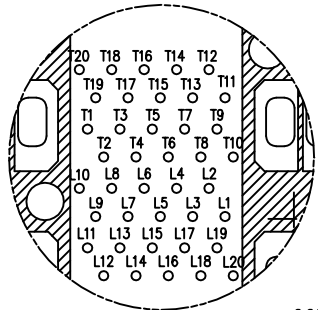


DETACHED LISTS	MM (INCH)		DFTO Roy	DATE 01/14/2014	<b>Pulse</b> Electronics	RoHS Compliant
	TOLERANCES EXCEPT AS NOTED		CHKD	DATE		
	MM	±	APPVL	DATE	TITLE SFP 2BY 6 CAGE+CONNECTOR_P	
	.0 ± 0.20	±	MATERIAL :			
.00 ± 0.15	±	QTY :		DRAWING NO. CSFP005-03-L	SIZE A3	REV 5
.000 ± 0.075	±	FINISH :		/PART NO. SFP005-03-L	DO NOT SCALE DRAWING	
ANGLES ± 0.5°		SCALE : 1:1		SHEET 3 OF 4		
THIRD ANGLE PROJECTION						

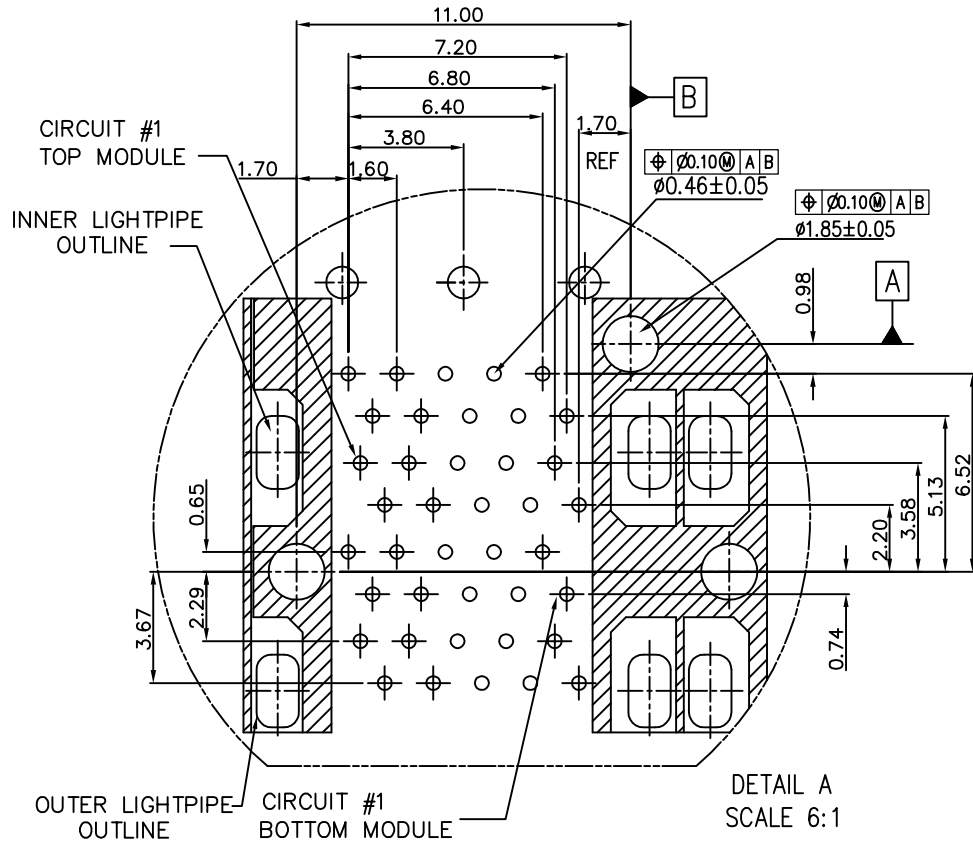
REVISION RECORD		
REV	DESCRIPTION	DRFT
1	ADD NOTE	Jack 9/03/10'
2	(1) CHANGE TO 3 ROW TABS (2) ADD TRACE KEEP OUT AREA&DIMENSION	Jack 9/29/10'
3	MODIFY PLATING SPECIFICATION	Jack 1/27/11'
4	ADD DETAIL VIEW	Jack 1/30/12'
5	CHANGE PLASTIC MATERIAL	Roy 1/14/14'



KEEP-OUT ZONE DETAIL  
SCALE 6:1



CONNECTOR PIN-OUT  
COMPONENT SIDE OF BOARD



DETAIL A  
SCALE 6:1

DETACHED LISTS	MM (INCH)	DFTO Roy	DATE 01/14/2014		RoHS Compliant					
	TOLERANCES EXCEPT AS NOTED	CHKD	DATE							
	MM	±	APPVL	DATE	TITLE					
	.0 ± 0.20	±	MATERIAL :		SFP 2BY 6 CAGE+CONNECTOR_P					
.00 ± 0.15	±	QTY :		DRAWING NO.	CSFP005-03-L	SIZE	A3	REV	5	
.000 ± 0.075	±	FINISH :		/PART NO.	SFP005-03-L	DO NOT SCALE DRAWING				
ANGLES ± 0.5°		SCALE : 1:1		SHEET		4	OF 4			
THIRD ANGLE PROJECTION										