



Chipsmall Limited consists of a professional team with an average of over 10 year of expertise in the distribution of electronic components. Based in Hongkong, we have already established firm and mutual-benefit business relationships with customers from,Europe,America and south Asia,supplying obsolete and hard-to-find components to meet their specific needs.

With the principle of “Quality Parts,Customers Priority,Honest Operation,and Considerate Service”,our business mainly focus on the distribution of electronic components. Line cards we deal with include Microchip,ALPS,ROHM,Xilinx,Pulse,ON,Everlight and Freescale. Main products comprise IC,Modules,Potentiometer,IC Socket,Relay,Connector.Our parts cover such applications as commercial,industrial, and automotives areas.

We are looking forward to setting up business relationship with you and hope to provide you with the best service and solution. Let us make a better world for our industry!



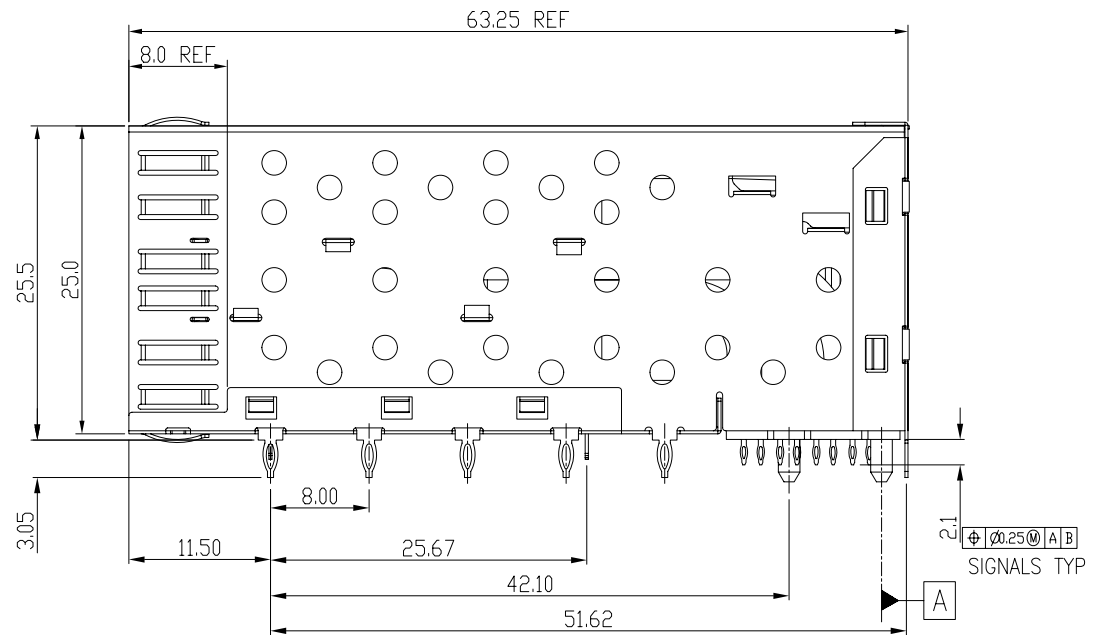
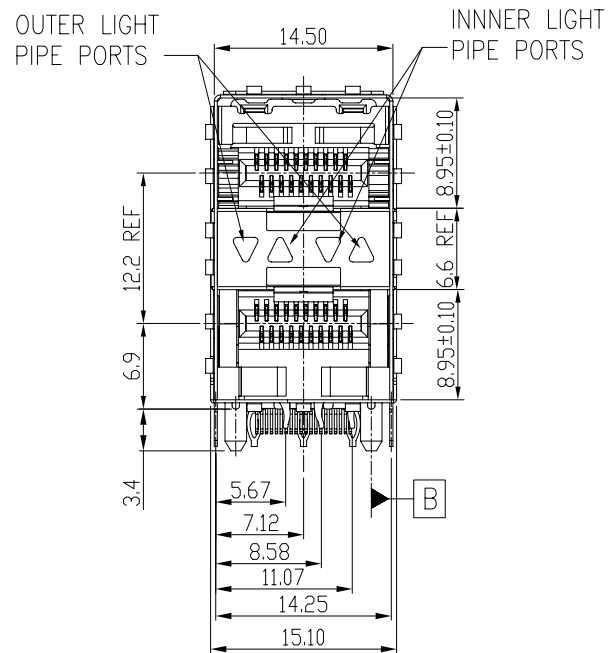
Contact us

Tel: +86-755-8981 8866 Fax: +86-755-8427 6832

Email & Skype: info@chipsmall.com Web: www.chipsmall.com

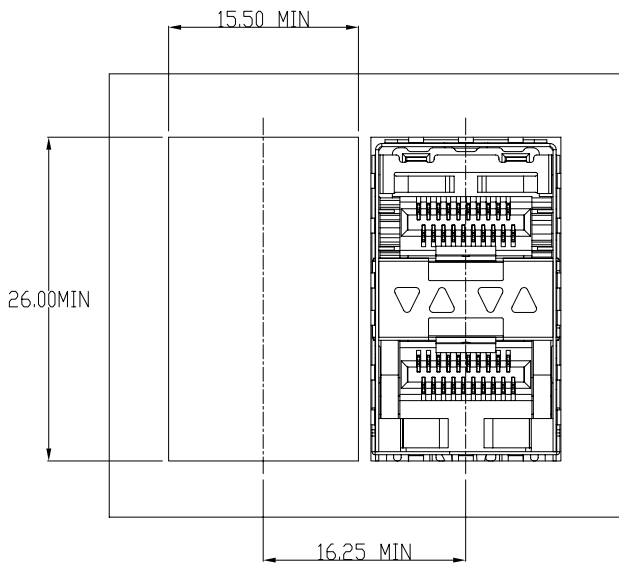
Address: A1208, Overseas Decoration Building, #122 Zhenhua RD., Futian, Shenzhen, China



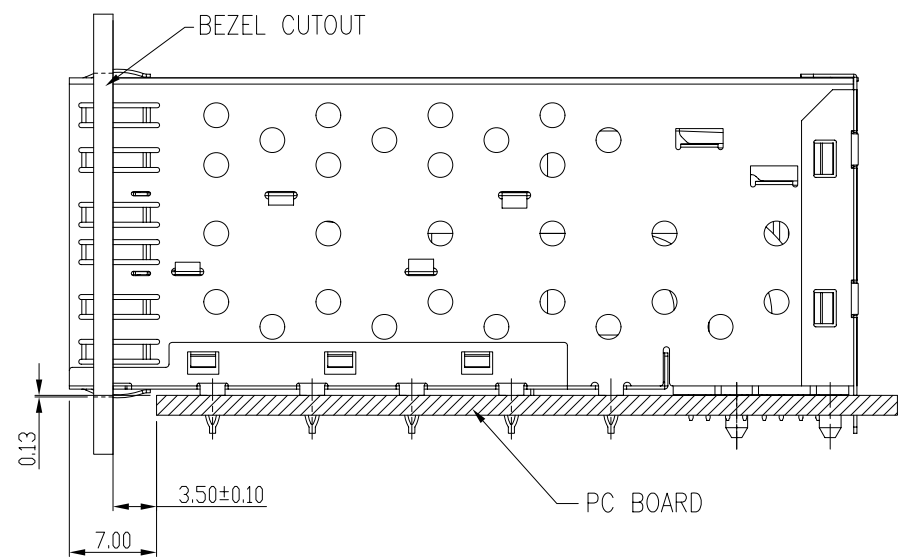


Qty Per:	TRAY	CARTON		
	16	96		
PART NUMBER	STATEMENT			
SFP018-L	INNER/OUTER LIGHT PIPES			
No.	DESCRIPTION	Q'ty	MATERIAL	PLATING
01	SFP CAGE (Non-Logo)	1	COPPER ALLOY	NICKEL
02	CONNECTOR	1	HIGH TEMP/COPPER ALLOY	GOLD

DETACHED LISTS	MM (INCH)	RoHS Compliant		Pulse A TECHNITROL COMPANY	
	TOLERANCES EXCEPT AS NOTED	TITLE			
	MM	±	W/LIGHT PIPES		
	.0 ± 0.25 .00 ± 0.2 .000 ± 0.10	±	SFP 2 BY 1 CAGE+CONNECTOR_P		
ANGLES ± 0.5	DFTD Jack		DRAWING NO. CSFP018-L	SIZE	REV
THIRD ANGLE PROJECTION	DATE 12/02/08		/PART NO. SFP018-L	A3	2
SCALE : 2:1			DO NOT SCALE DRAWING	SHEET 1	OF 4



BEZEL CUT-OUT CENTER SPACING DETAIL
BEZEL THICKNESS:0.8-2.6

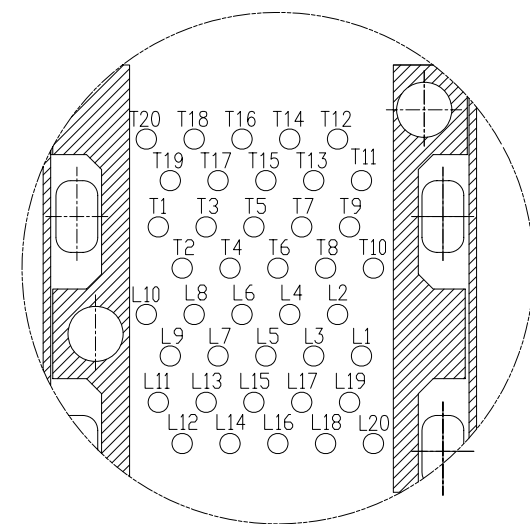
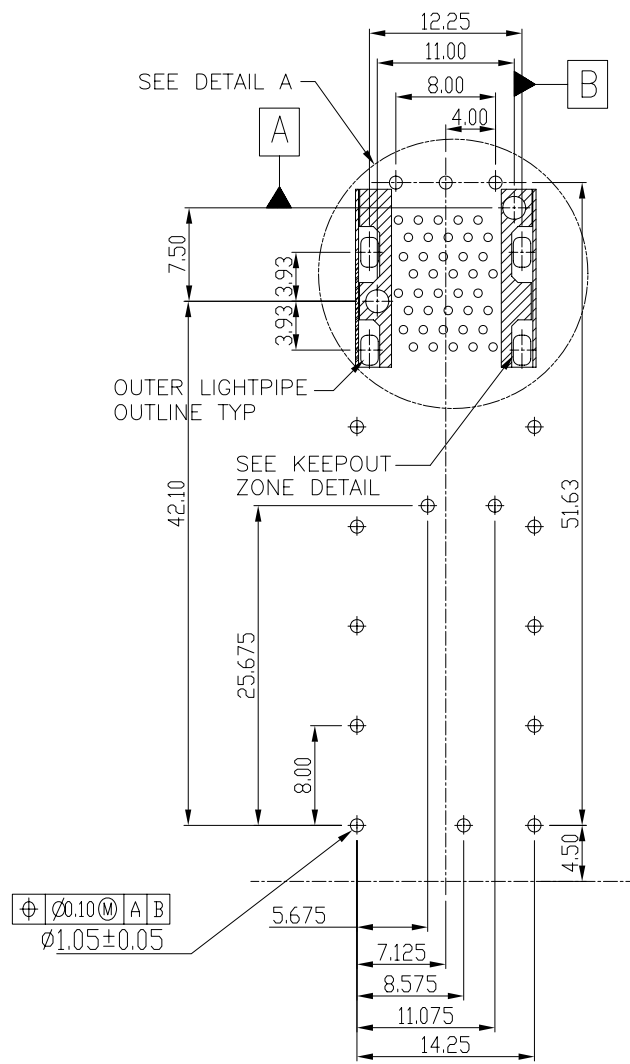
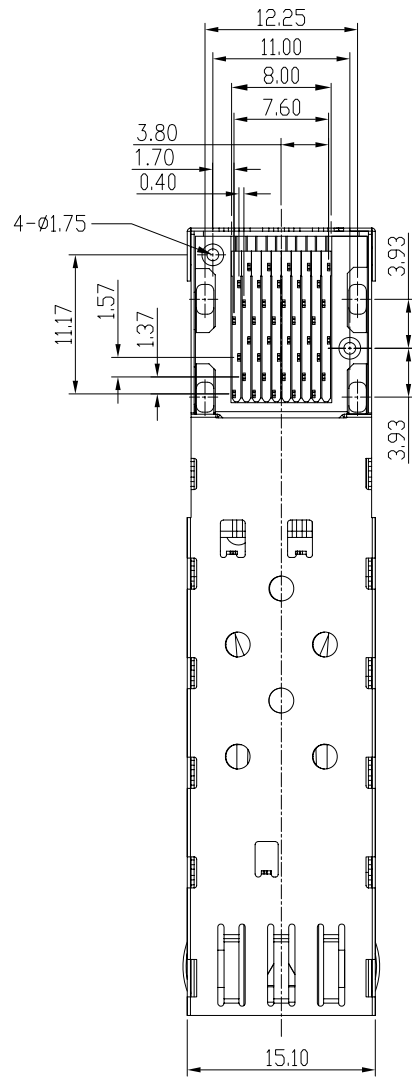


SECTION A-A


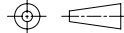
8 | 7 | 6 | 5 | 4 | 3 | 2 | 1

H
G
F
E
D
C
B
A

MM (INCH)		RoHS Compliant			
TOLERANCES EXCEPT AS NOTED		TITLE SFP 2 BY 1 CAGE+CONNECTOR_P			
DETACHED LISTS	MM			W/LIGHT PIPES	
	.0 ± 0.25	±		SIZE	REV
	.00 ± 0.2	±		A3	2
	.000 ± 0.10	±		SHEET 2 OF 4	
ANGLES ± 0.5		DATE 12/02/08		DRAWING NO. CSFP018-L /PART NO. SFP018-L	
		SCALE : 2:1		DO NOT SCALE DRAWING	



CONNECTOR PIN-OUT
COMPONENT SIDE OF BOARD

MM (INCH)		RoHS Compliant		 Pulse <small>A TECHNITROL COMPANY</small>	
TOLERANCES EXCEPT AS NOTED		TITLE SFP 2 BY 1 CAGE+CONNECTOR_P W/LIGHT PIPES			
DETACHED LISTS	MM				
	.0 ± 0.25		±		
	.00 ± 0.2		±		
	.000 ± 0.10		±		
ANGLES ± 0.5		DFTD Jack DATE 12/02/08'			
 THIRD ANGLE PROJECTION		DRAWING NO. CSFP018-L /PART NO. SFP018-L		SCALE : 2:1	DO NOT SCALE DRAWING
		SIZE A3		REV 2	SHEET 3 OF 4

H
G
F
E
D
C
B
A

