



Chipsmall Limited consists of a professional team with an average of over 10 year of expertise in the distribution of electronic components. Based in Hongkong, we have already established firm and mutual-benefit business relationships with customers from,Europe,America and south Asia,supplying obsolete and hard-to-find components to meet their specific needs.

With the principle of “Quality Parts,Customers Priority,Honest Operation,and Considerate Service”,our business mainly focus on the distribution of electronic components. Line cards we deal with include Microchip,ALPS,ROHM,Xilinx,Pulse,ON,Everlight and Freescale. Main products comprise IC,Modules,Potentiometer,IC Socket,Relay,Connector.Our parts cover such applications as commercial,industrial, and automotives areas.

We are looking forward to setting up business relationship with you and hope to provide you with the best service and solution. Let us make a better world for our industry!



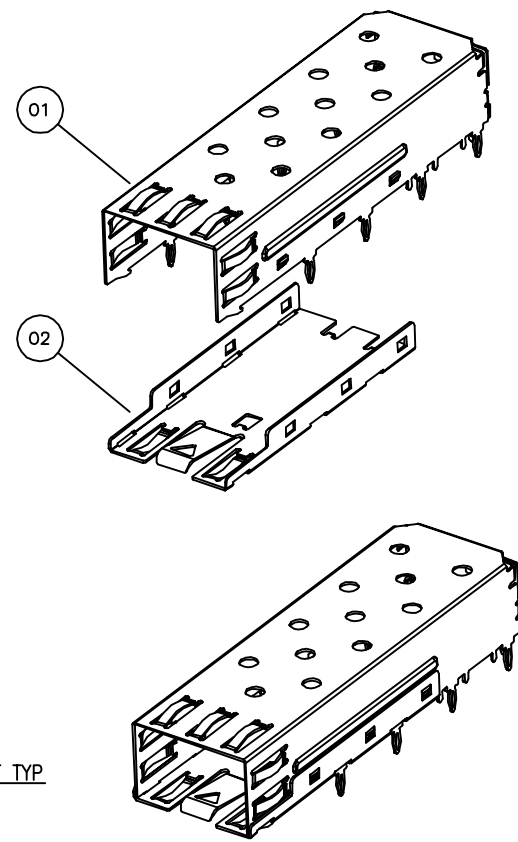
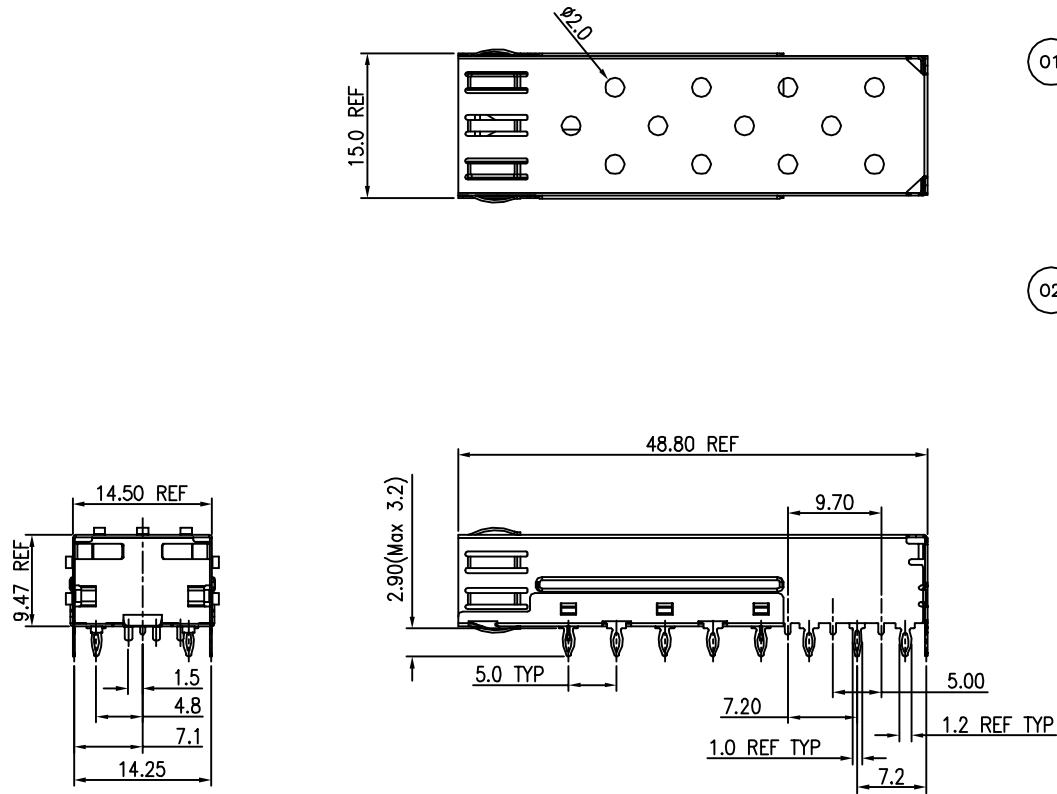
Contact us

Tel: +86-755-8981 8866 Fax: +86-755-8427 6832

Email & Skype: info@chipsmall.com Web: www.chipsmall.com

Address: A1208, Overseas Decoration Building, #122 Zhenhua RD., Futian, Shenzhen, China





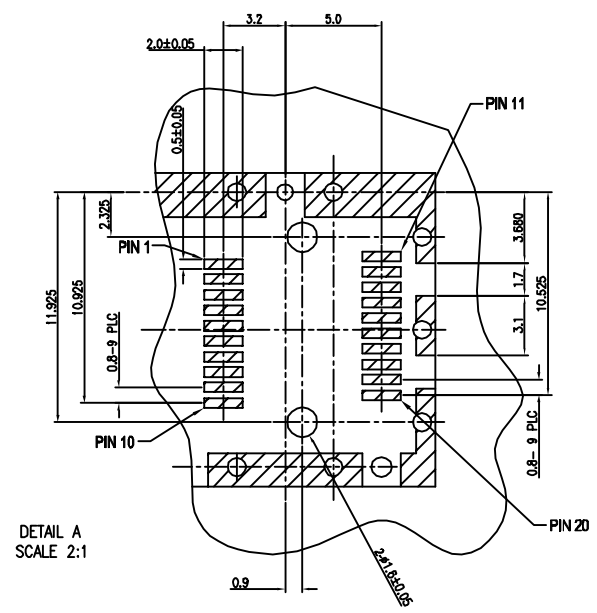
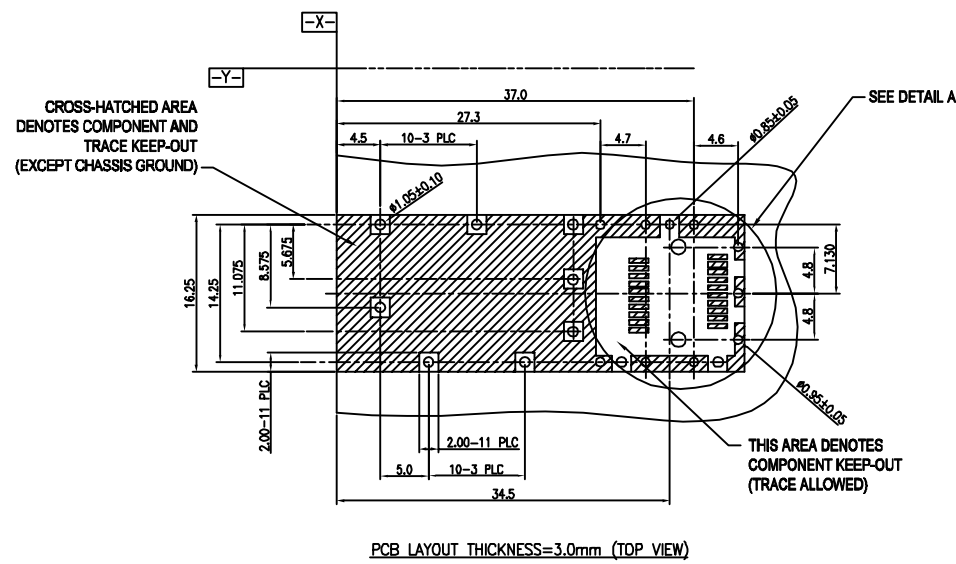
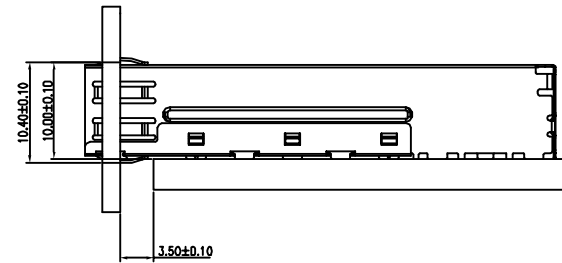
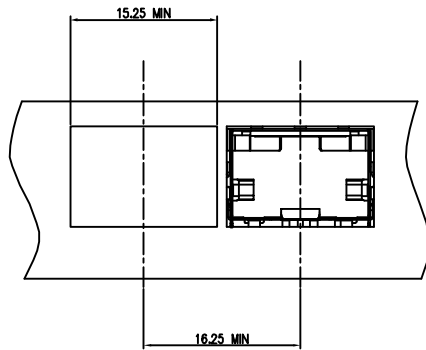
Qty per:	Tray	Carton		
	45	900		
PART NUMBER : SFPCAGE002-L				
No.	DESCRIPTION	Q'ty	MATERIAL	PLATING
01	CAGE TOP	1	COPPER ALLOY	Nickel
02	CAGE BOTTOM	1	COPPER ALLOY	Nickel

MM (INCH)	
TOLERANCES EXCEPT AS NOTED	
MM	INCH
.0 ± 0.2	±
.00 ± 0.15	±
.000 ± 0.075	±
ANGLES ± 0.5	
THIRD ANGLE PROJECTION	

RoHS Compliant		Pulse A TECHNITROL COMPANY	
TITLE		(Non-Logo)	
SFP CAGE 1 BY 1 PRESSFIT			
DFTO Jack	DRAWING NO. SFPCAGE002-L	SIZE	REV
DATE 8/03/06	/PART NO.	A3	0
SCALE : 1:1	DO NOT SCALE DRAWING	SHEET 1	OF 2

8 7 6 5 4 3 2 1

H
G
F
E
D
C
B
A



8 | 7 | 6 | 5 | 4 | 3 | 2 | 1

H
G
F
E
D
C
B
A

← MM (INCH) → TOLERANCES EXCEPT AS NOTED		RoHS Compliant			
MM .0 ± 0.2 ± .00 ± 0.15 ± .000 ± 0.075 ±		TITLE SFP CAGE 1 BY 1 PRESSFIT		(Non-Logo)	
ANGLES ± 0.5		DFTO Jack DATE 8/03/06		DRAWING NO. SFPCAGE002-L /PART NO.	
 THIRD ANGLE PROJECTION		SCALE : 1:1		DO NOT SCALE DRAWING	
		SHEET 2 OF 2		SIZE A3 REV 0	