



Chipsmall Limited consists of a professional team with an average of over 10 year of expertise in the distribution of electronic components. Based in Hongkong, we have already established firm and mutual-benefit business relationships with customers from,Europe,America and south Asia,supplying obsolete and hard-to-find components to meet their specific needs.

With the principle of “Quality Parts,Customers Priority,Honest Operation,and Considerate Service”,our business mainly focus on the distribution of electronic components. Line cards we deal with include Microchip,ALPS,ROHM,Xilinx,Pulse,ON,Everlight and Freescale. Main products comprise IC,Modules,Potentiometer,IC Socket,Relay,Connector.Our parts cover such applications as commercial,industrial, and automotives areas.

We are looking forward to setting up business relationship with you and hope to provide you with the best service and solution. Let us make a better world for our industry!



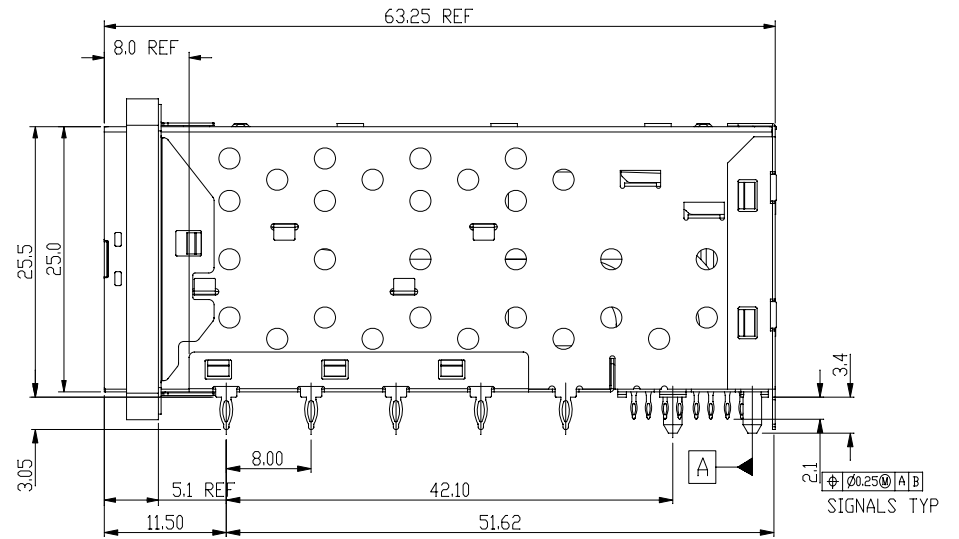
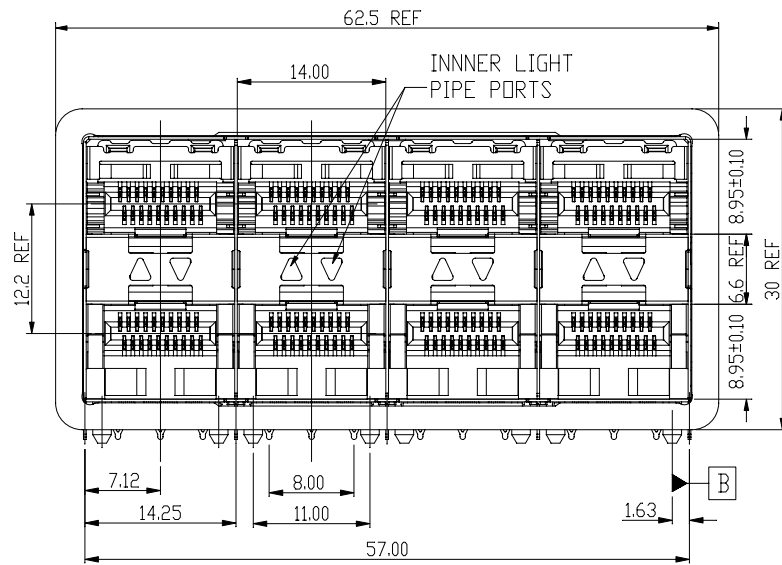
Contact us

Tel: +86-755-8981 8866 Fax: +86-755-8427 6832

Email & Skype: info@chipsmall.com Web: www.chipsmall.com

Address: A1208, Overseas Decoration Building, #122 Zhenhua RD., Futian, Shenzhen, China

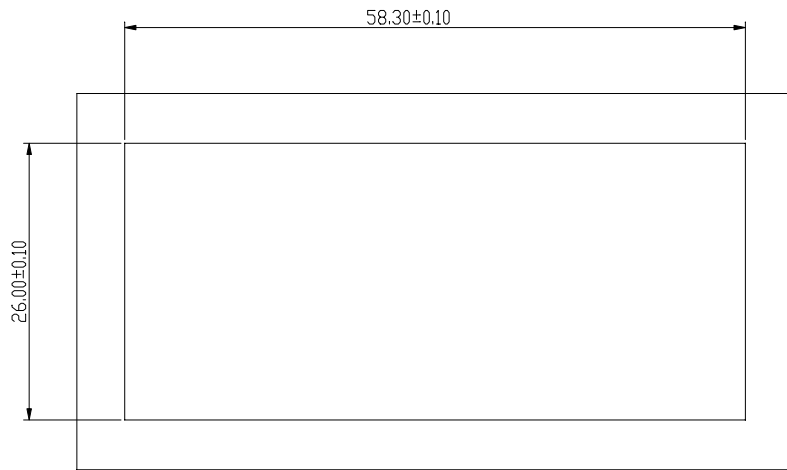




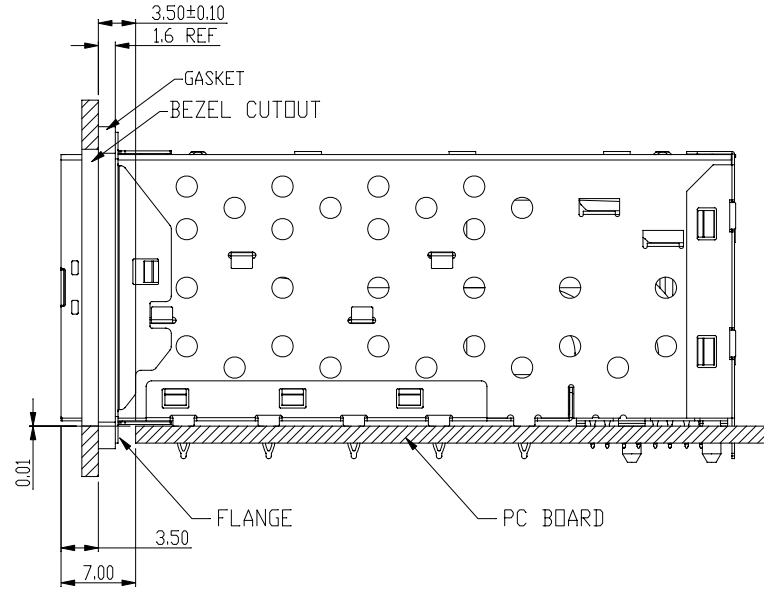
Qty Per:	TRAY	CARTON		
	6	36		
PART NUMBER	STATEMENT			
SFPP-3126-L	SFP PLUS/INNER&OUTER LIGHT PIPES			
	SFP PLUS/INNER LIGHT PIPES			
	SFP PLUS/OUTER LIGHT PIPES			
No.	DESCRIPTION	Q'ty	MATERIAL	PLATING
01	SFP CAGE (Non-Logo)	1	COPPER ALLOY	
02	CONNECTOR	4	HIGH TEMP/COPPER ALLOY	GOLD
03	LIGHT PIPES	4	POLYCARBONITE	
04	EMI GASKET	1	CONDUCTIVE POLYMER	

DETACHED LISTS TOLERANCES EXCEPT AS NOTED .0 ± 0.25 ± .00 ± 0.20 ± .000 ± 0.10 ± ANGLES ± 0.5 THIRD ANGLE PROJECTION	RoHS Compliant			
	TITLE SFP PLUS 2 BY 4 CAGE+CONNECTOR_P		W/LIGHT PIPES&GASKET	
	DFTD Jack	DRAWING NO. CSFPP-3126-L	SIZE	REV
	DATE 7/24/09'	/PART NO. SFPP-3126-L	A3	0
	SCALE : 2:1	DO NOT SCALE DRAWING	SHEET 1	OF 4

8 | 7 | 6 | 5 | 4 | 3 | 2 | 1



BEZEL CUT-OUT CENTER SPACING DETAIL
BEZEL THICKNESS:0.8-2.6



DETACHED LISTS		RoHS Compliant																			
	TOLERANCES EXCEPT AS NOTED				TITLE	W/LIGHT PIPES&GASKET															
	<table border="1" style="font-size: small;"> <tr><td>MM</td><td>±</td></tr> <tr><td>.0 ± 0.25</td><td>±</td></tr> <tr><td>.00 ± 0.20</td><td>±</td></tr> <tr><td>.000 ± 0.10</td><td>±</td></tr> </table>	MM	±	.0 ± 0.25	±	.00 ± 0.20	±	.000 ± 0.10	±	<table border="1" style="font-size: small;"> <tr><td>MM</td><td>±</td></tr> <tr><td>.0 ± 0.25</td><td>±</td></tr> <tr><td>.00 ± 0.20</td><td>±</td></tr> <tr><td>.000 ± 0.10</td><td>±</td></tr> </table>	MM	±	.0 ± 0.25	±	.00 ± 0.20	±	.000 ± 0.10	±	SFP PLUS 2 BY 4 CAGE+CONNECTOR_P		
	MM	±																			
.0 ± 0.25	±																				
.00 ± 0.20	±																				
.000 ± 0.10	±																				
MM	±																				
.0 ± 0.25	±																				
.00 ± 0.20	±																				
.000 ± 0.10	±																				
ANGLES ± 0.5	<table border="1" style="font-size: small;"> <tr><td>DFTD Jack</td><td>DRAWING NO. CSFPP-3126-L</td><td>SIZE</td><td>REV</td></tr> <tr><td>DATE 7/24/09'</td><td>/PART NO. SFPP-3126-L</td><td>A3</td><td>0</td></tr> </table>	DFTD Jack	DRAWING NO. CSFPP-3126-L	SIZE	REV	DATE 7/24/09'	/PART NO. SFPP-3126-L	A3	0	SCALE : 2:1											
DFTD Jack	DRAWING NO. CSFPP-3126-L	SIZE	REV																		
DATE 7/24/09'	/PART NO. SFPP-3126-L	A3	0																		
 THIRD ANGLE PROJECTION	DO NOT SCALE DRAWING		SHEET 2	OF 4																	

8

7

6

5

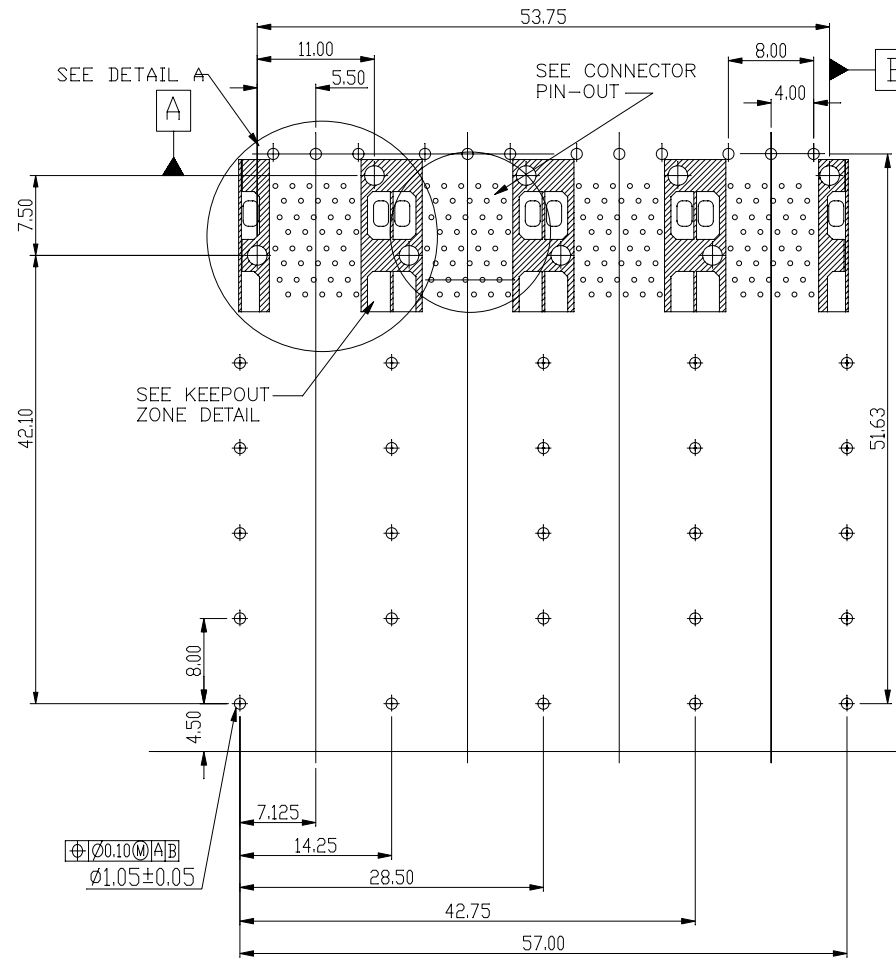
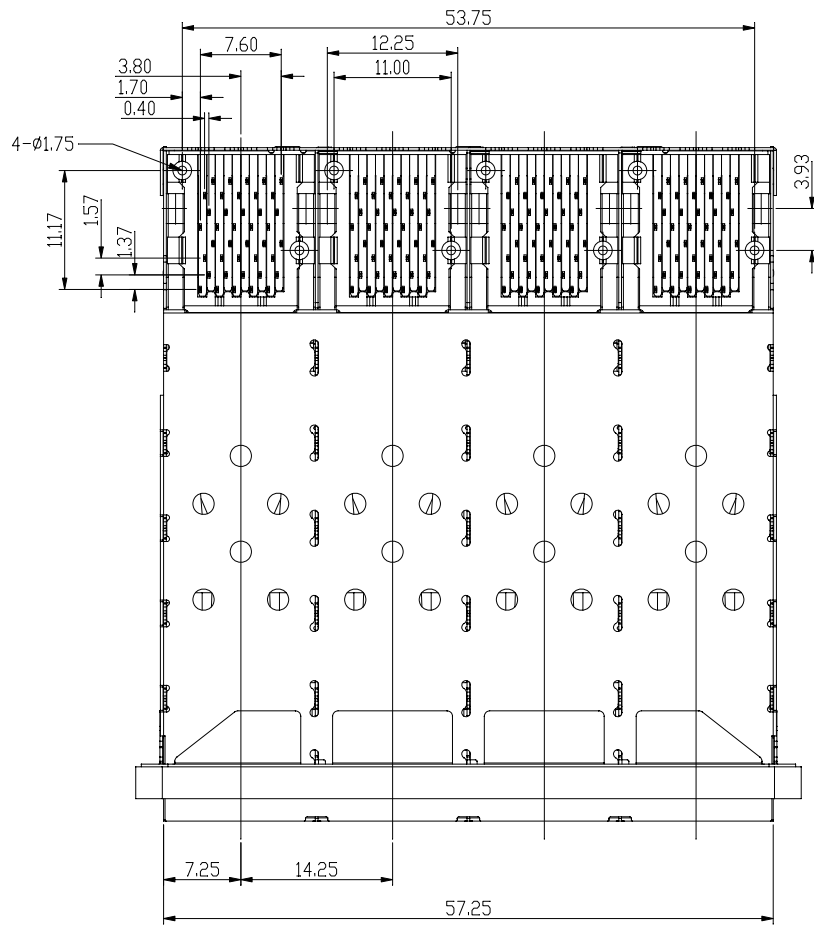
4

3

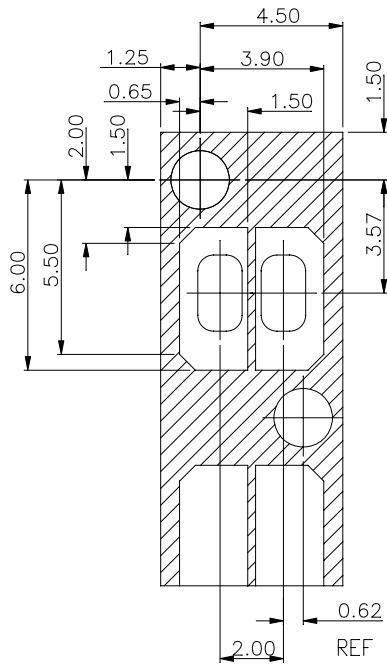
2

1

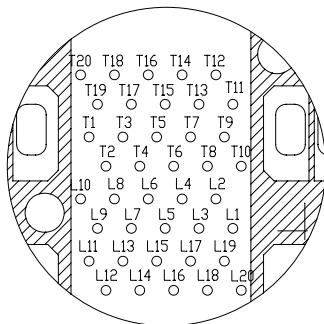
H
G
F
E
D
C
B
A



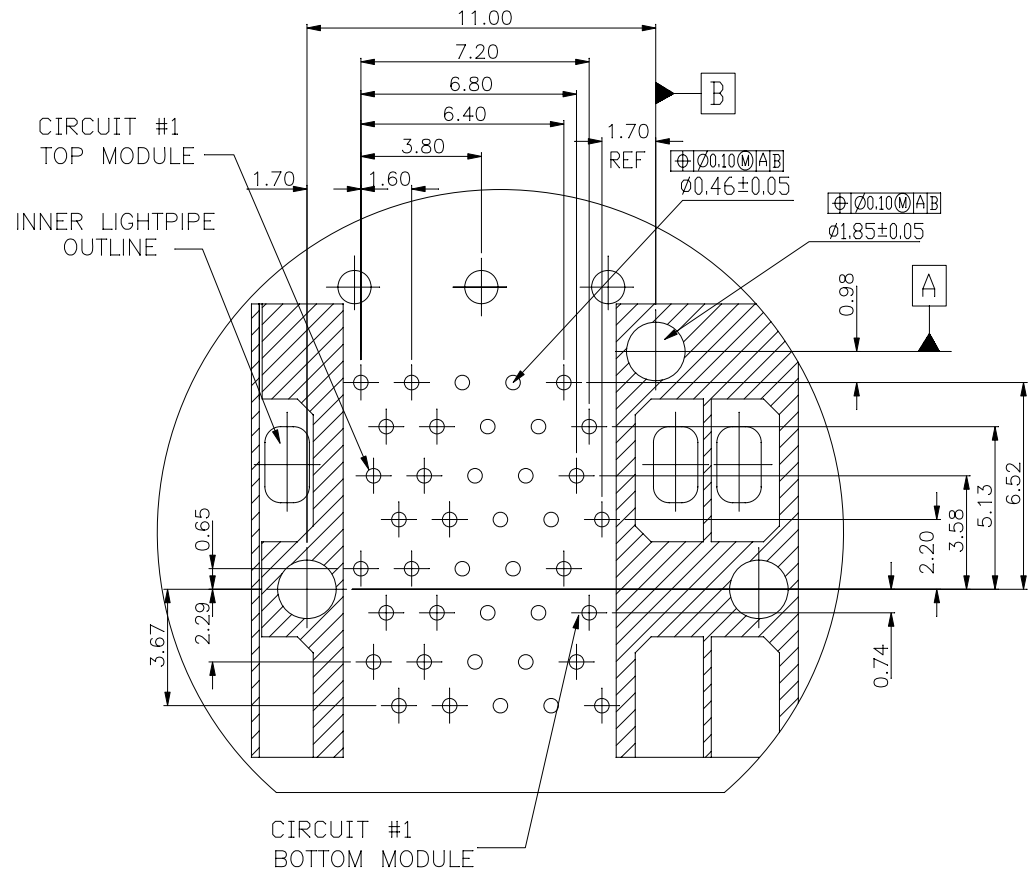
DETACHED LISTS	← MM (INCH) →	RoHS Compliant				
	TOLERANCES EXCEPT AS NOTED		TITLE			
	MM	±	SFP PLUS 2 BY 4 CAGE+CONNECTOR_P			
	.0 ± 0.25	±	W/LIGHT PIPES&GASKET			
.00 ± 0.20	±	DFTD Jack		DRAWING NO. CSFPP-3126-L		
.000 ± 0.10	±	DATE 7/24/09'		/PART NO. SFPP-3126-L		
ANGLES ± 0.5		SCALE : 2:1		SHEET 3 OF 4		
 THIRD ANGLE PROJECTION		DO NOT SCALE DRAWING		SIZE	REV	
				A3	0	



KEEP-OUT ZONE DETAIL
SCALE 6:1



CONNECTOR PIN-OUT
COMPONENT SIDE OF BOARD



CIRCUIT #1
BOTTOM MODULE
DETAIL A
SCALE 6:1

DETACHED LISTS	MM (INCH)	RoHS Compliant		TITLE W/LIGHT PIPES&GASKET SFP PLUS 2 BY 4 CAGE+CONNECTOR_P			
	TOLERANCES EXCEPT AS NOTED						
	.0 ± 0.25	±	DFTD Jack		DRAWING NO. CSFPP-3126-L	SIZE A3	REV 0
	.00 ± 0.20	±	DATE 7/24/09'		/PART NO. SFPP-3126-L		SHEET 4 OF 4
.000 ± 0.10	±	ANGLES ± 0.5		SCALE : 2:1		DD NOT SCALE DRAWING	
THIRD ANGLE PROJECTION							