



Chipsmall Limited consists of a professional team with an average of over 10 year of expertise in the distribution of electronic components. Based in Hongkong, we have already established firm and mutual-benefit business relationships with customers from,Europe,America and south Asia,supplying obsolete and hard-to-find components to meet their specific needs.

With the principle of "Quality Parts,Customers Priority,Honest Operation,and Considerate Service",our business mainly focus on the distribution of electronic components. Line cards we deal with include Microchip,ALPS,ROHM,Xilinx,Pulse,ON,Everlight and Freescale. Main products comprise IC,Modules,Potentiometer,IC Socket,Relay,Connector.Our parts cover such applications as commercial,industrial, and automotives areas.

We are looking forward to setting up business relationship with you and hope to provide you with the best service and solution. Let us make a better world for our industry!



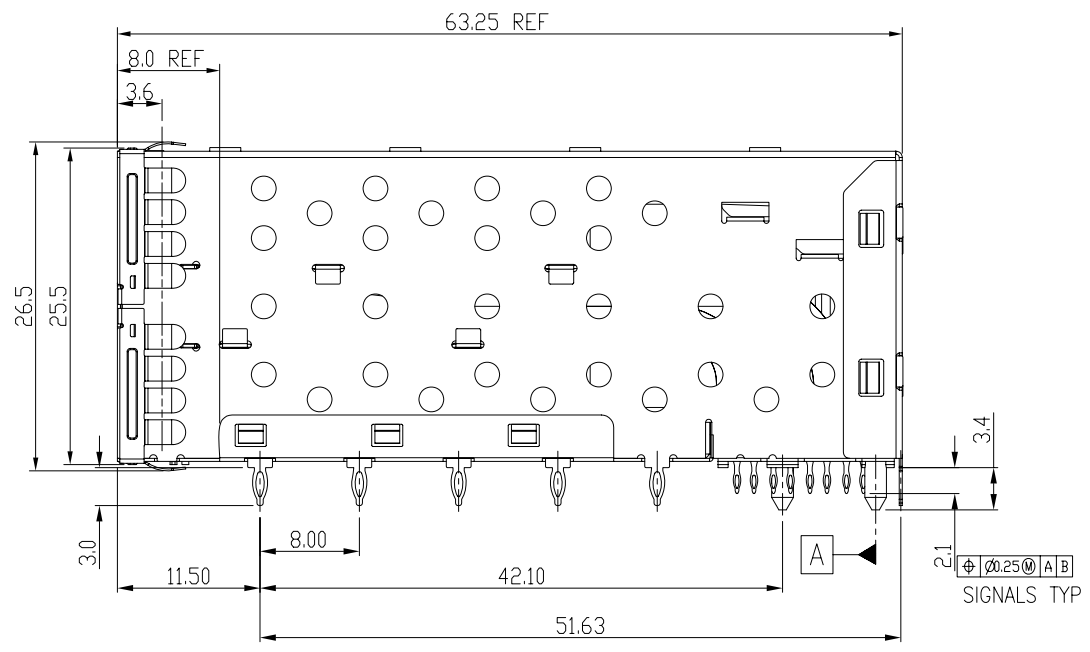
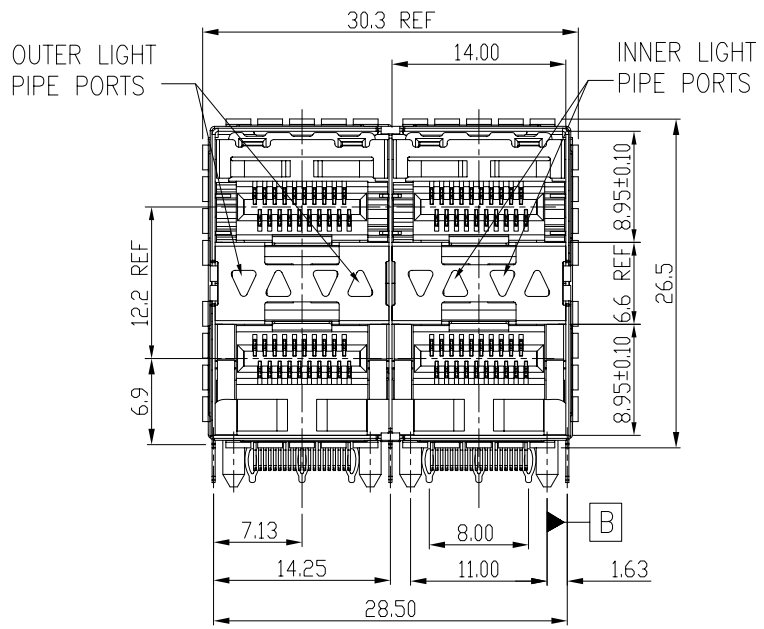
Contact us

Tel: +86-755-8981 8866 Fax: +86-755-8427 6832

Email & Skype: info@chipsmall.com Web: www.chipsmall.com

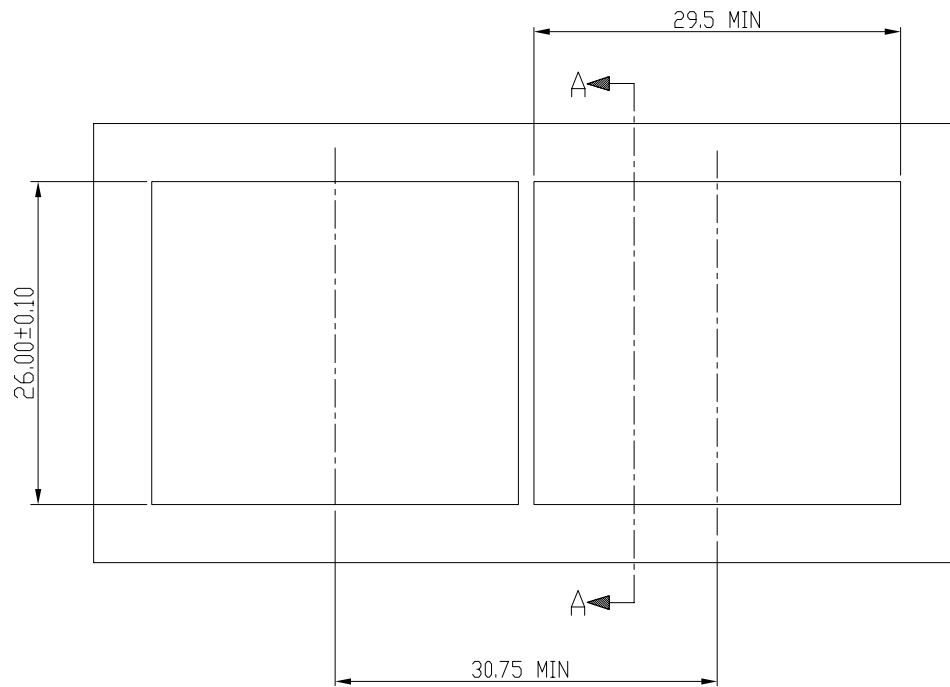
Address: A1208, Overseas Decoration Building, #122 Zhenhua RD., Futian, Shenzhen, China



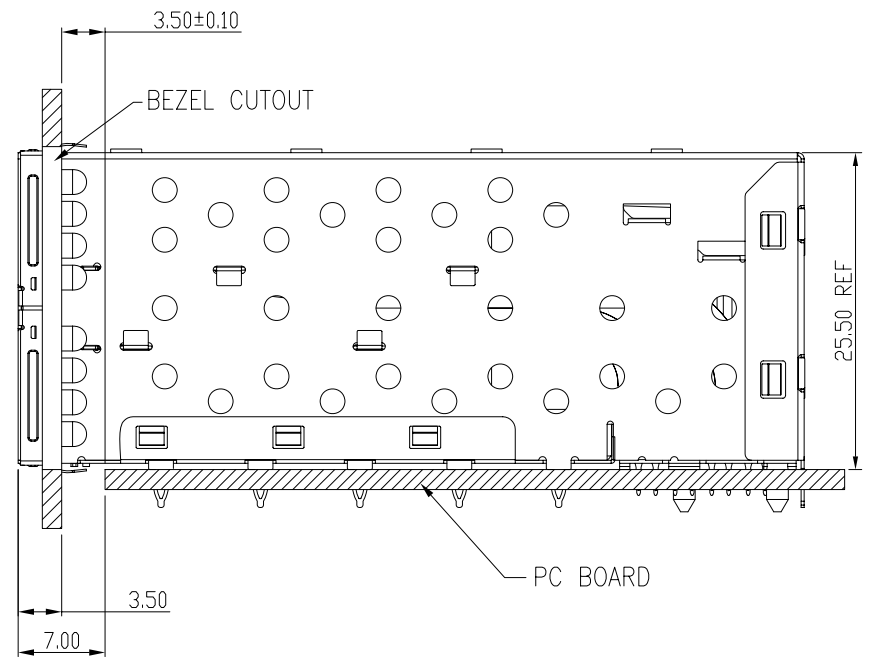


Qty Per:	TRAY	CARTON		
	12	72		
PART NUMBER	STATEMENT			
SFPP-3130-L	INNER/OUTER LIGHT PIPES			
No.	DESCRIPTION	Q'ty	MATERIAL	PLATING
01	SFP CAGE (Non-Logo)	1	ECOTRIO	
02	CONNECTOR	2	HIGH TEMP/COPPER ALLOY	GOLD
03	LIGHT PIPES	2	POLYCARBONITE	
04	EMI TAB	2	ECOTRIO	

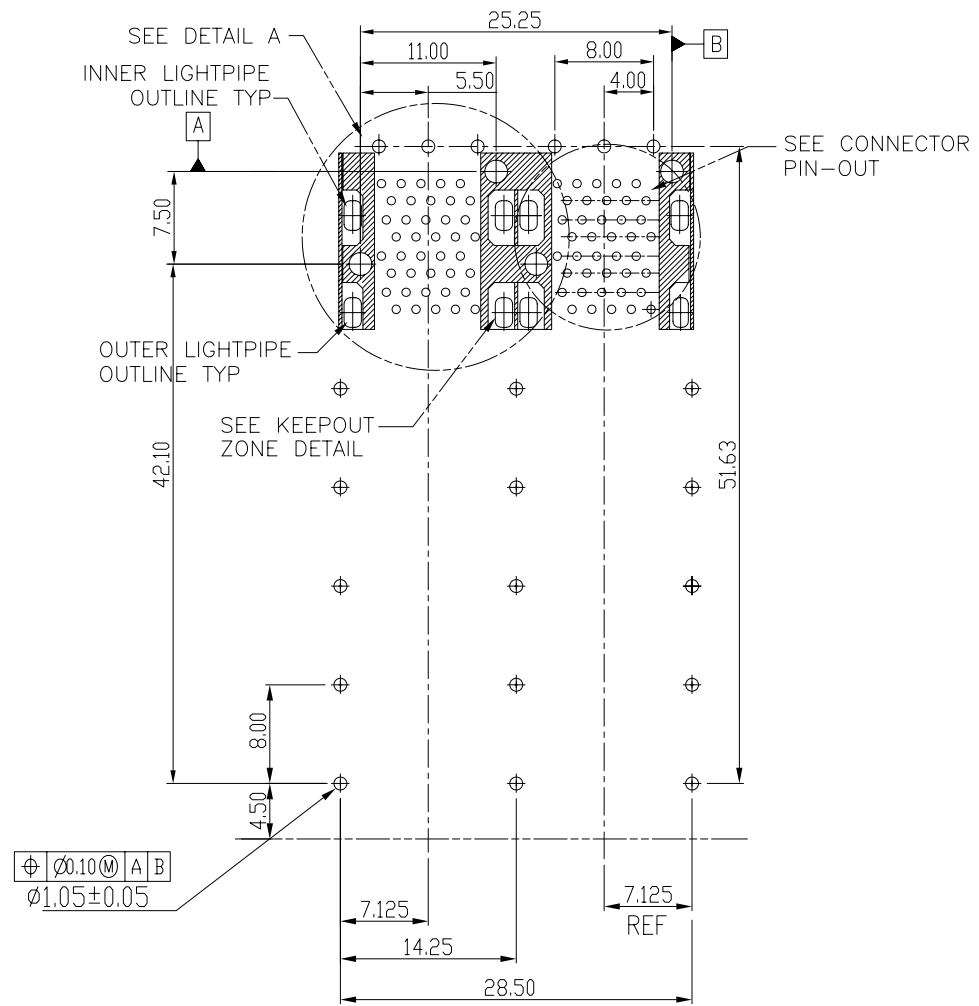
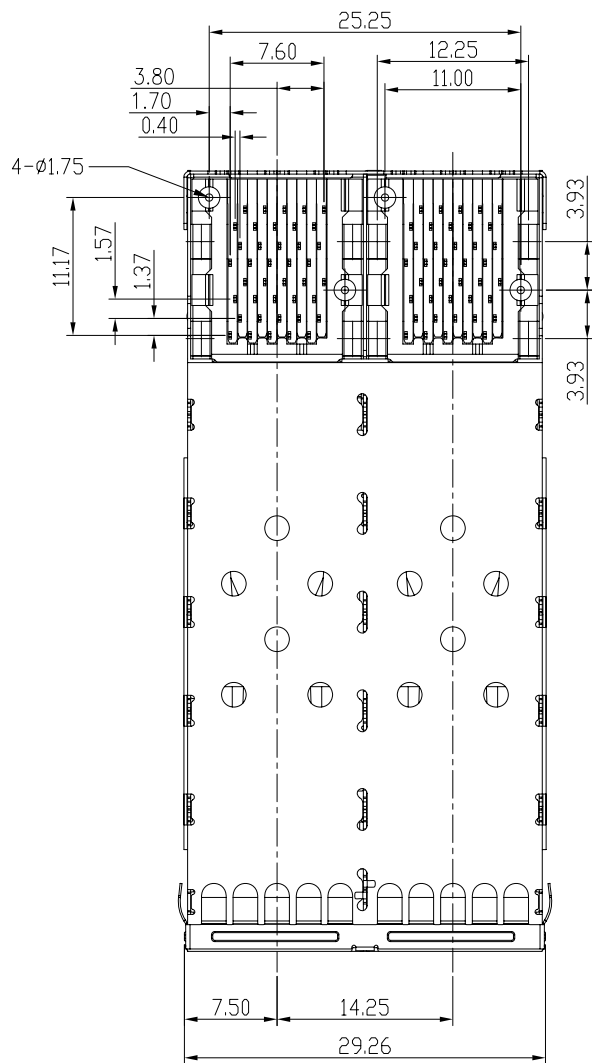
DETACHED LISTS	MM (INCH)	RoHS Compliant			
	TOLERANCES EXCEPT AS NOTED				
	MM	TITLE			
	.0 ± 0.25 .00 ± 0.2 .000 ± 0.10	± ± ±	W/LIGHT PIPES&EMI TAB		
ANGLES ± 0.5	THIRD ANGLE PROJECTION		SCALE : 2:1		DO NOT SCALE DRAWING
DFTD Jack		DRAWING NO. CSFPP-3130-L		SIZE	REV
DATE 11/18/08'		/PART NO. SFPP-3130-L		A3	0
SHEET 1				OF 4	



BEZEL CUT-OUT CENTER SPACING DETAIL
 BEZEL THICKNESS:0.8-2.6



DETACHED LISTS	\leftarrow MM (INCH) \rightarrow	RoHS Compliant				
	TOLERANCES EXCEPT AS NOTED		TITLE SFP 2 BY 2 CAGE+CONNECTOR_P W/LIGHT PIPES&EMI TAB			
	MM					
	.0 ± 0.25	±				
.00 ± 0.2	±	DRAWING NO. CSFPP-3130-L		SIZE	REV	
.000 ± 0.10	±	DATE 11/18/08'		A3	0	
ANGLES ± 0.5		SCALE : 2:1		DO NOT SCALE DRAWING		
 THIRD ANGLE PROJECTION		SHEET 2		OF 4		

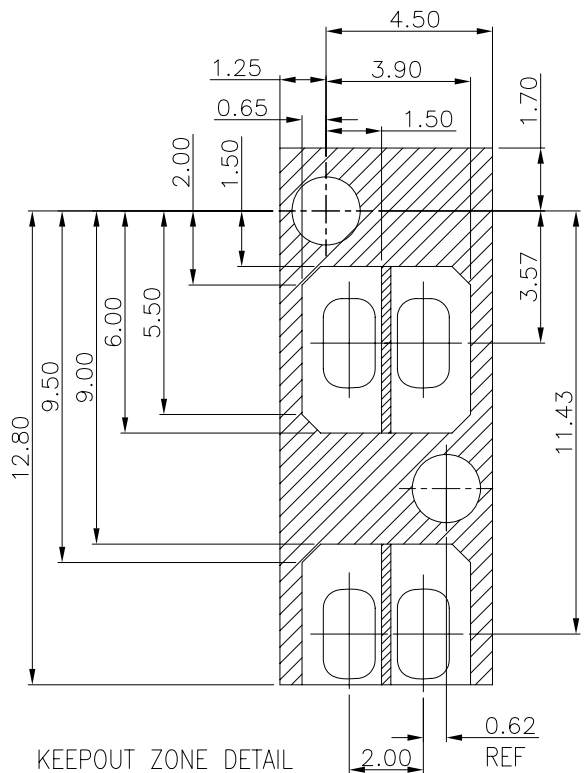


⊕ Ø0.10 (M) A B
 ø1.05±0.05

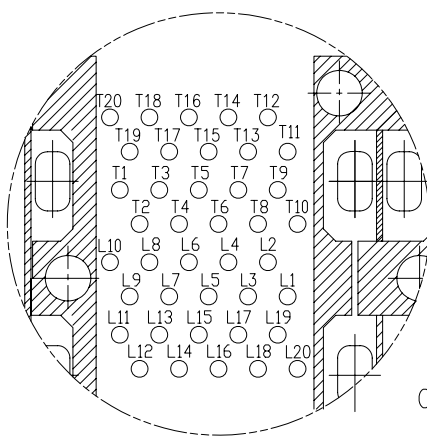
8 | 7 | 6 | 5 | 4 | 3 | 2 | 1

H
G
F
E
D
C
B
A

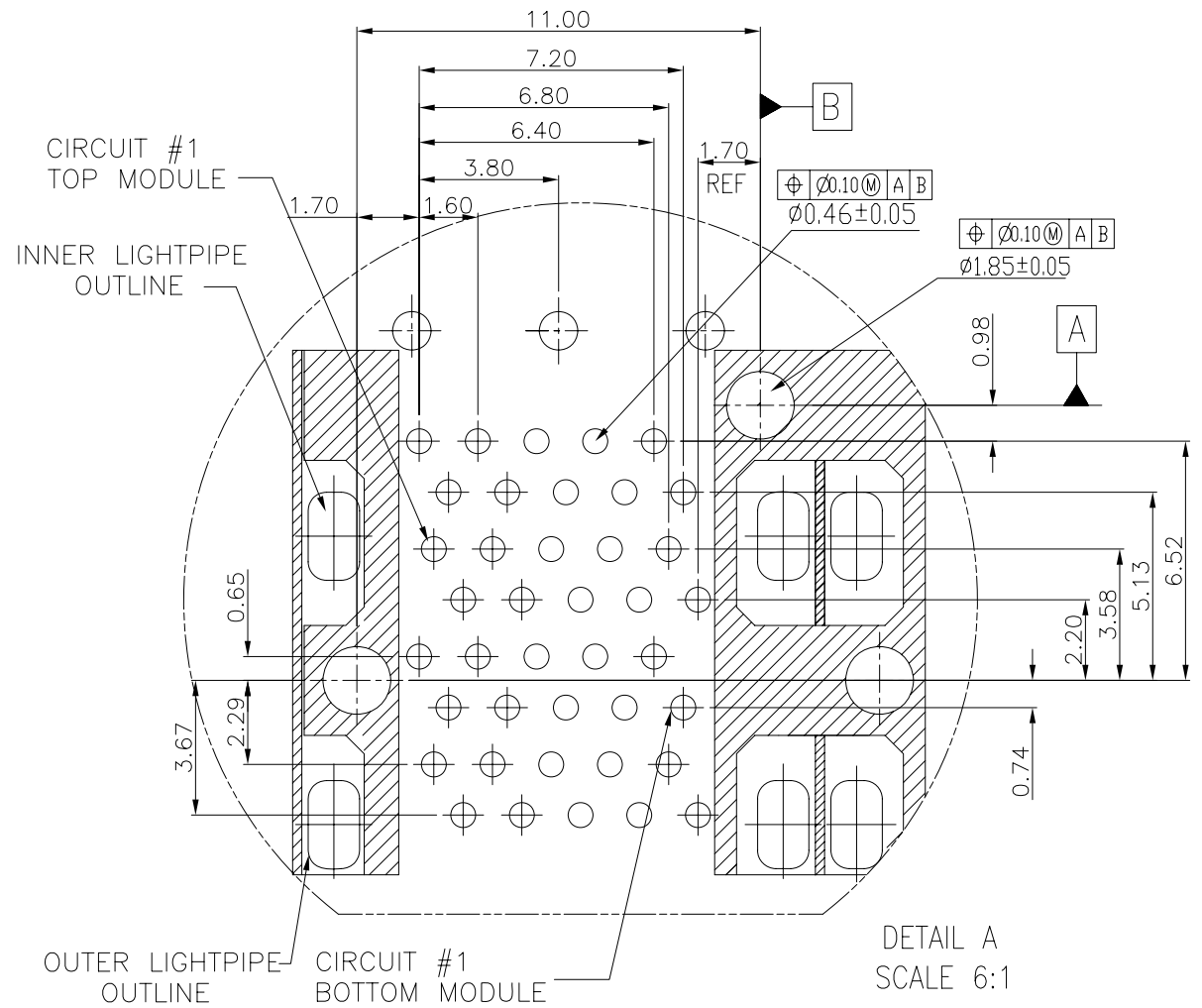
MM (INCH) TOLERANCES EXCEPT AS NOTED		RoHS Compliant			
MM .0 ± 0.25 ± .00 ± 0.2 ± .000 ± 0.10 ±		TITLE SFP 2 BY 2 CAGE+CONNECTOR_P		W/LIGHT PIPES&EMI TAB	
ANGLES ± 0.5		DFTD Jack DATE 11/18/08		DRAWING NO. CSFPP-3130-L /PART NO. SFPP-3130-L	
THIRD ANGLE PROJECTION		SCALE : 2:1		SIZE REV A3 0	
DO NOT SCALE DRAWING				SHEET 3 OF 4	



KEEP-OUT ZONE DETAIL
SCALE 6:1



CONNECTOR PIN-OUT
COMPONENT SIDE OF BOARD



DETAIL A
SCALE 6:1

MM (INCH)		RoHS Compliant			
TOLERANCES EXCEPT AS NOTED		TITLE SFP 2 BY 2 CAGE+CONNECTOR_P W/LIGHT PIPES&EMI TAB			
DETACHED LISTS	MM .0 ± 0.25 ± .00 ± 0.2 ± .000 ± 0.10 ±	ANGLES ± 0.5		DFTD Jack DATE 11/18/08	DRAWING NO. CSFPP-3130-L /PART NO. SFPP-3130-L
	THIRD ANGLE PROJECTION		SCALE : 2:1	DO NOT SCALE DRAWING	SIZE REV A3 0
				SHEET 4 OF 4	1 2 3 4