



Chipsmall Limited consists of a professional team with an average of over 10 year of expertise in the distribution of electronic components. Based in Hongkong, we have already established firm and mutual-benefit business relationships with customers from,Europe,America and south Asia,supplying obsolete and hard-to-find components to meet their specific needs.

With the principle of “Quality Parts,Customers Priority,Honest Operation,and Considerate Service”,our business mainly focus on the distribution of electronic components. Line cards we deal with include Microchip,ALPS,ROHM,Xilinx,Pulse,ON,Everlight and Freescale. Main products comprise IC,Modules,Potentiometer,IC Socket,Relay,Connector.Our parts cover such applications as commercial,industrial, and automotives areas.

We are looking forward to setting up business relationship with you and hope to provide you with the best service and solution. Let us make a better world for our industry!



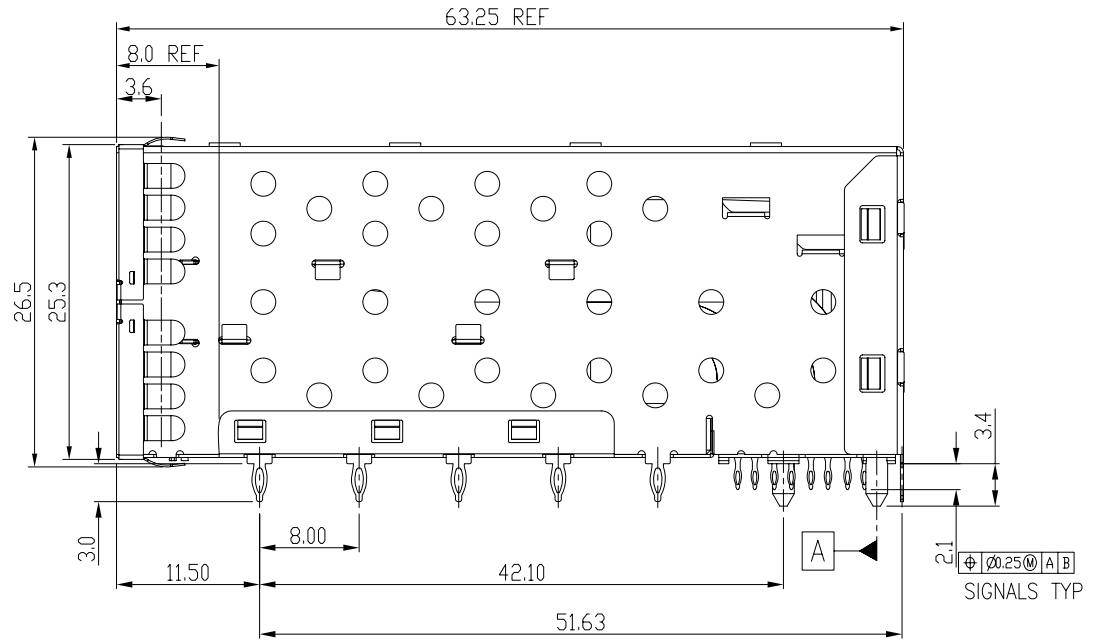
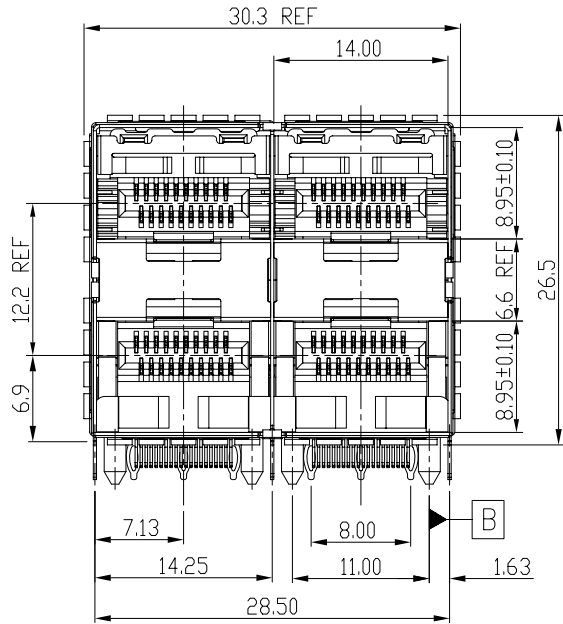
Contact us

Tel: +86-755-8981 8866 Fax: +86-755-8427 6832

Email & Skype: info@chipsmall.com Web: www.chipsmall.com

Address: A1208, Overseas Decoration Building, #122 Zhenhua RD., Futian, Shenzhen, China

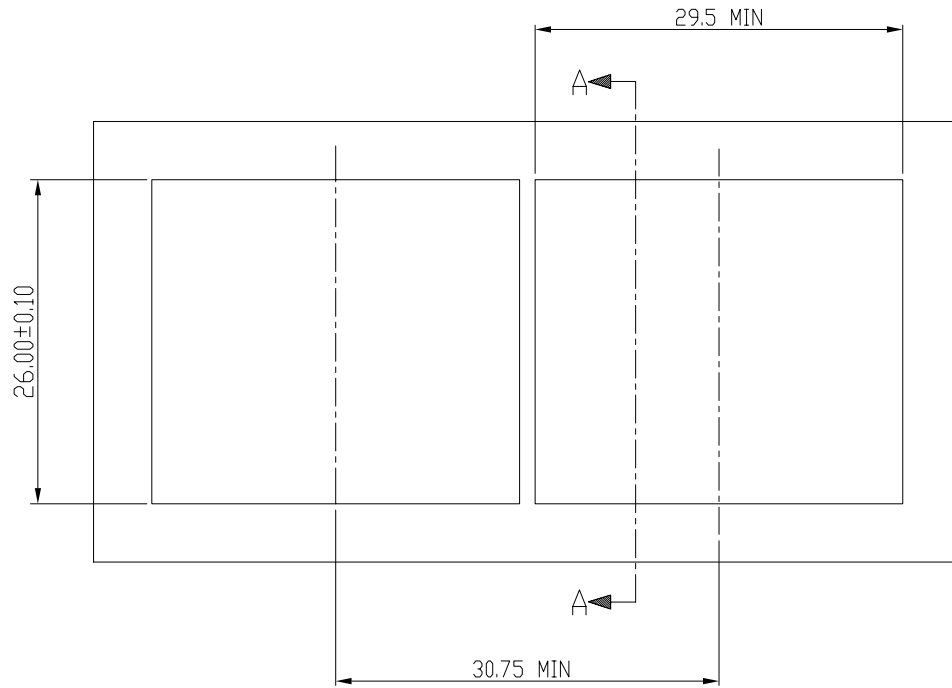




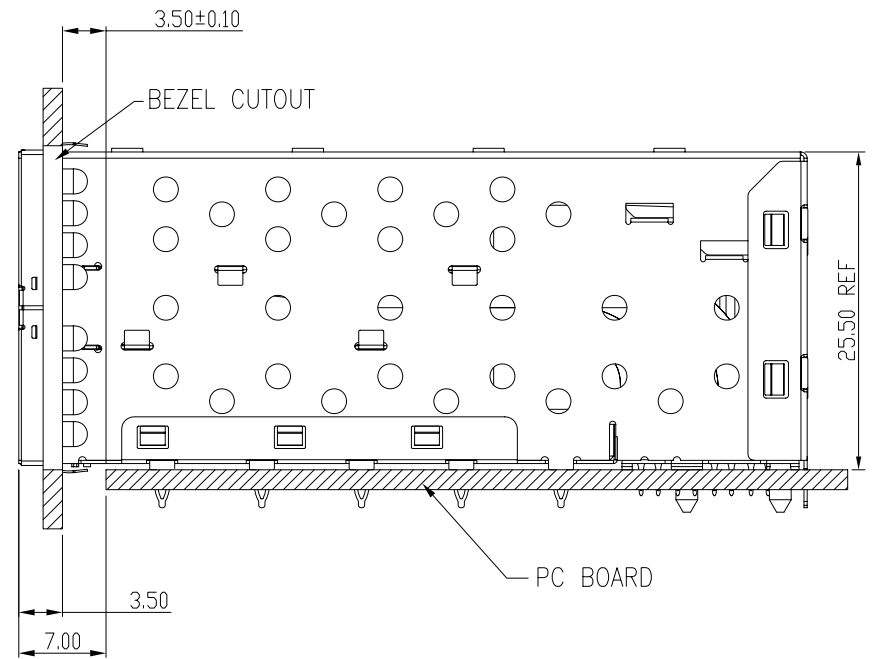
| | | | | |
|-------------|---------------------|--------|------------------------|---------|
| Qty Per: | TRAY | CARTON | | |
| | 12 | 72 | | |
| PART NUMBER | STATEMENT | | | |
| SFPP-3133-L | | | | |
| No. | DESCRIPTION | Q'ty | MATERIAL | PLATING |
| 01 | SFP CAGE (Non-Logo) | 1 | COPPER ALLOY | |
| 02 | CONNECTOR | 2 | HIGH TEMP/COPPER ALLOY | GOLD |
| 03 | EMI TAB | 2 | COPPER ALLOY | |

| | | | | | | | | | | |
|----------------|----------------------------|------------------------|--|----------------------------------|----------------------|-----------|--------------------------|------|-----|--|
| DETACHED LISTS | MM (INCH) | RoHS Compliant | | TITLE | | W/EMI TAB | | | | |
| | TOLERANCES EXCEPT AS NOTED | | | SFP PLUS 2 BY 2 CAGE+CONNECTOR_P | | | | | | |
| | MM | | | | DFTD Jack | | DRAWING NO. CSFPP-3133-L | SIZE | REV | |
| | .0 ± 0.25 | | | ± | DATE 3/08/10' | | /PART NO. SFPP-3133-L | A3 | 0 | |
| .00 ± 0.2 | ± | THIRD ANGLE PROJECTION | | SCALE : 2:1 | DO NOT SCALE DRAWING | SHEET 1 | OF 4 | | | |
| .000 ± 0.10 | ± | | | | | | | | | |

8 7 6 5 4 3 2 1



BEZEL CUT-OUT CENTER SPACING DETAIL
BEZEL THICKNESS:0.8-2.6



| | | | | | |
|----------------------------|---|-----------------------------|--------------------------|-----------|------|
| MM (INCH) | | RoHS Compliant | | | |
| TOLERANCES EXCEPT AS NOTED | | | | | |
| MM | | | | TITLE | |
| .0 ± 0.25 | ± | SFP 2 BY 2 CAGE+CONNECTOR_P | | W/EMI TAB | |
| .00 ± 0.2 | ± | | | | |
| .000 ± 0.10 | ± | | | | |
| ANGLES ± 0.5 | | | | | |
| THIRD ANGLE PROJECTION | | DFTD Jack | DRAWING NO. CSFPP-3133-L | SIZE | REV |
| | | DATE 3/08/10 | /PART NO. SFPP-3133-L | A3 | 0 |
| | | SCALE : 2:1 | DO NOT SCALE DRAWING | SHEET 2 | OF 4 |

8

7

6

5

4

3

2

1

H

G

F

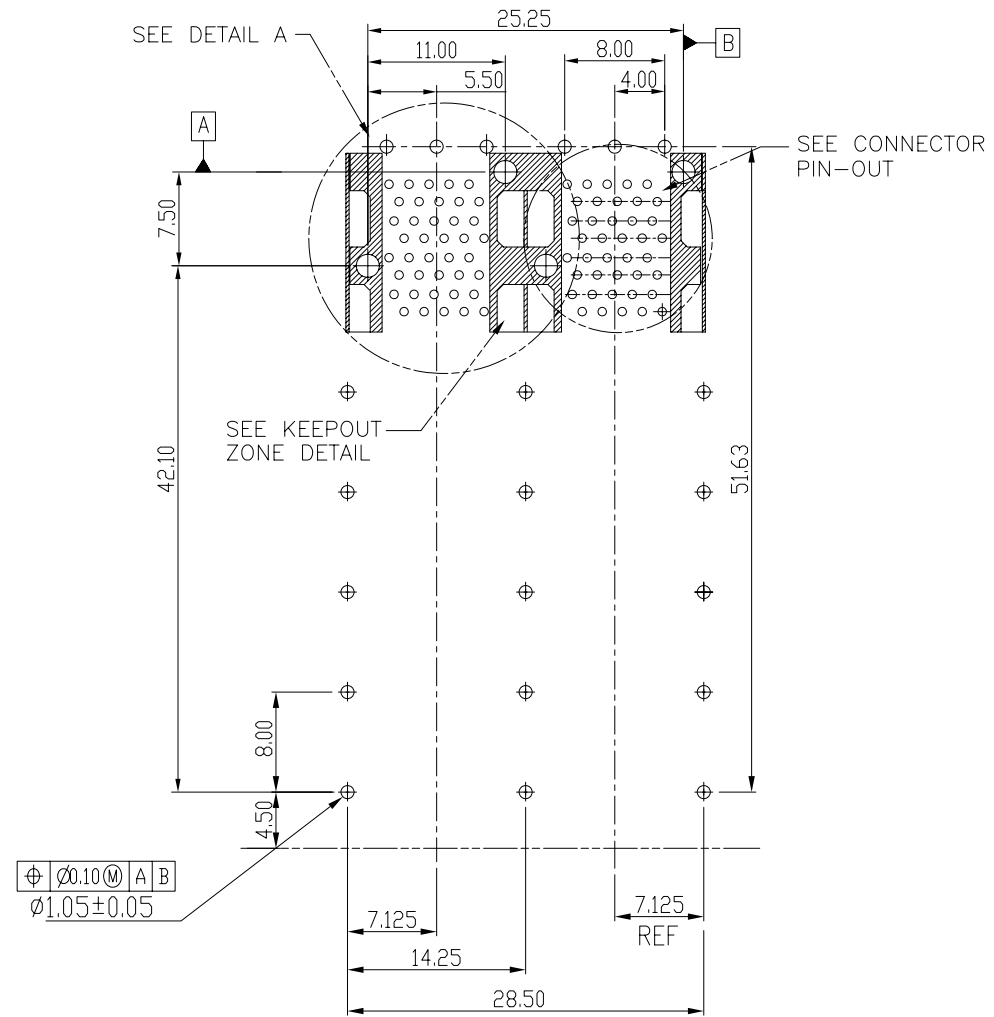
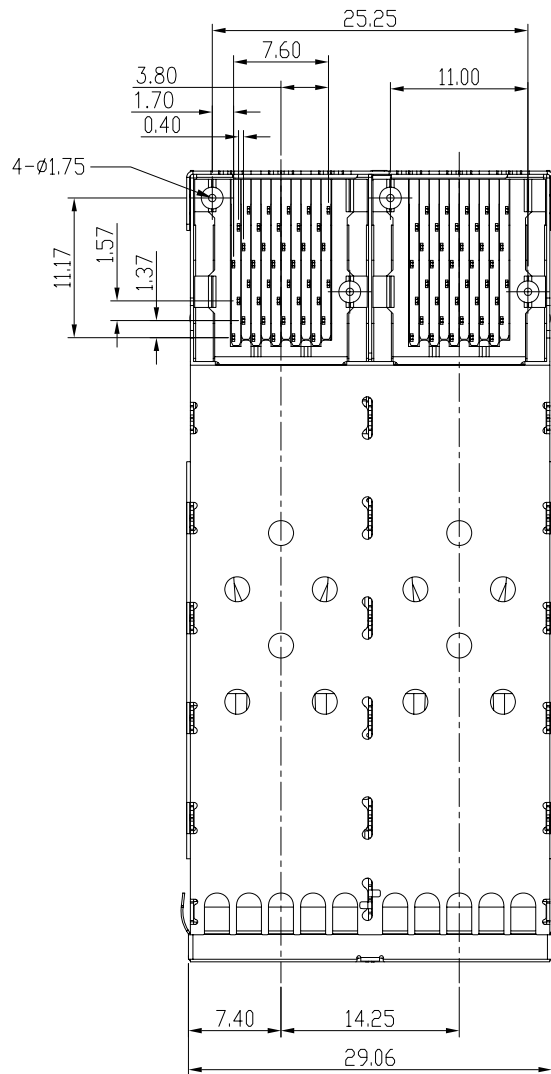
E

D

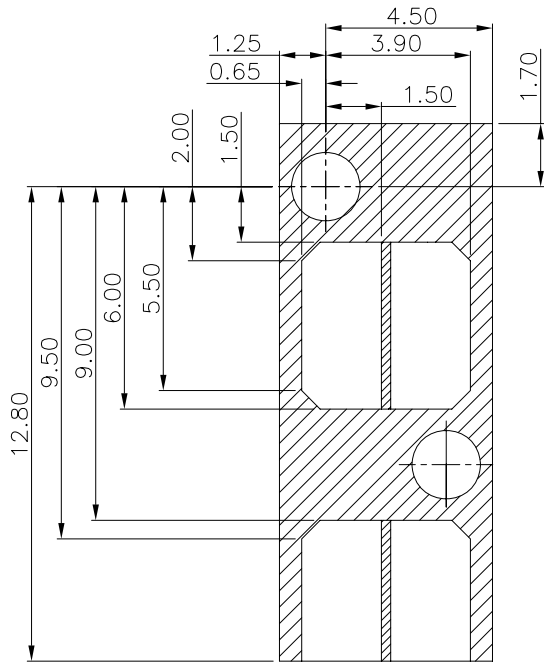
C

B

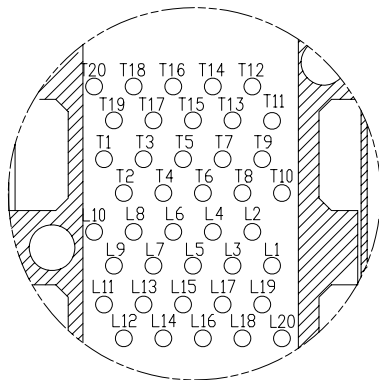
A



| | | | | | |
|---|--|--------------------------------------|--|---|--|
| MM (INCH) | | RoHS Compliant | | | |
| TOLERANCES EXCEPT AS NOTED | | TITLE SFP 2 BY 2 CAGE+CONNECTOR_P | | | |
| DETACHED LISTS MM .0 ± 0.25 ± .00 ± 0.2 ± .000 ± 0.10 ± ANGLES ± 0.5 | | W/EMI TAB | | SIZE A3 | |
| THIRD ANGLE PROJECTION | | DFTD Jack DATE 3/08/10' | | DRAWING NO. CSFPP-3133-L /PART NO. SFPP-3133-L | |
| SCALE : 2:1 | | DO NOT SCALE DRAWING | | REV 0 | |
| | | | | SHEET 3 OF 4 | |

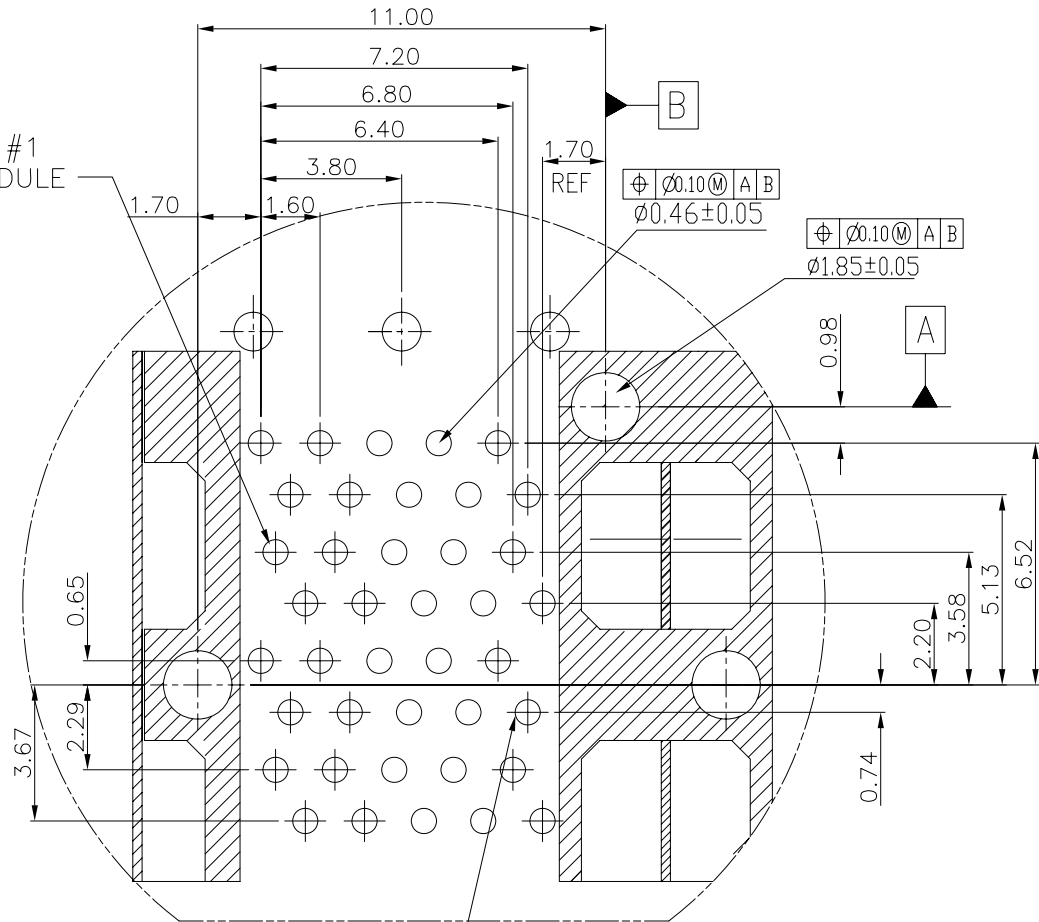


KEEPOUT ZONE DETAIL
SCALE 6:1



CONNECTOR PIN-OUT
COMPONENT SIDE OF BOARD

CIRCUIT #1
TOP MODULE



CIRCUIT #1
BOTTOM MODULE

DETAIL A
SCALE 6:1

| | | | | | | |
|----------------|---------------------------------------|------------------------|--------------------------------------|----------------------|---|--|
| DETACHED LISTS | ← MM (INCH) → | RoHS Compliant | | | | |
| | TOLERANCES EXCEPT AS NOTED | | W/EMI TAB | | | |
| | MM | ± | TITLE SFP 2 BY 2 CAGE+CONNECTOR_P | | | |
| | .0 ± 0.25 .00 ± 0.2 .000 ± 0.10 | ± ± ± | DFTD Jack DATE 3/08/10' | | DRAWING NO. CSFPP-3133-L /PART NO. SFPP-3133-L | |
| ANGLES ± 0.5 | | SCALE : 2:1 | | DO NOT SCALE DRAWING | SHEET 4 OF 4 | |
| | | THIRD ANGLE PROJECTION | | SIZE A3 | REV 0 | |