



Chipsmall Limited consists of a professional team with an average of over 10 year of expertise in the distribution of electronic components. Based in Hongkong, we have already established firm and mutual-benefit business relationships with customers from,Europe,America and south Asia,supplying obsolete and hard-to-find components to meet their specific needs.

With the principle of “Quality Parts,Customers Priority,Honest Operation,and Considerate Service”,our business mainly focus on the distribution of electronic components. Line cards we deal with include Microchip,ALPS,ROHM,Xilinx,Pulse,ON,Everlight and Freescale. Main products comprise IC,Modules,Potentiometer,IC Socket,Relay,Connector.Our parts cover such applications as commercial,industrial, and automotives areas.

We are looking forward to setting up business relationship with you and hope to provide you with the best service and solution. Let us make a better world for our industry!



Contact us

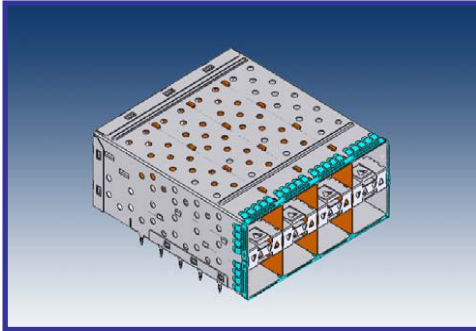
Tel: +86-755-8981 8866 Fax: +86-755-8427 6832

Email & Skype: info@chipsmall.com Web: www.chipsmall.com

Address: A1208, Overseas Decoration Building, #122 Zhenhua RD., Futian, Shenzhen, China

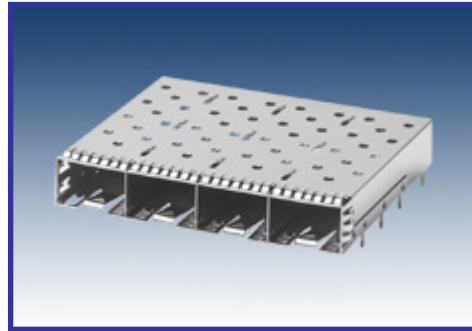


SFP+ (2xN) CAGE &
CONNECTOR



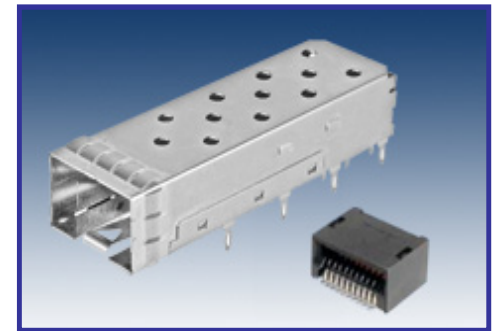
RJ45-CAT5e

SFP+ (1xN) CAGE &
CONNECTOR

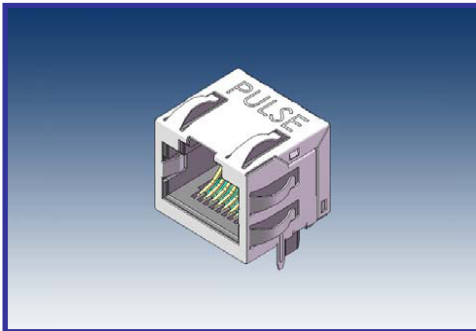


Thunderbolt Mini Display
Port

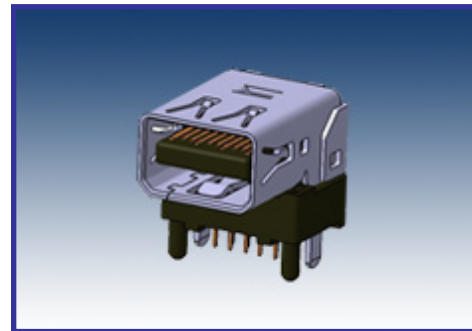
SFP/SFP+ (1x1) CAGE or
CONNECTOR or Both



USB3.0 A & B Type Female R/A
Micro B Type Female SMT



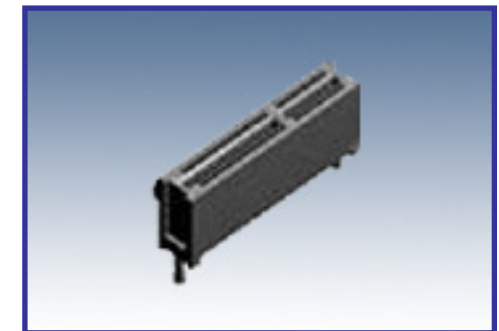
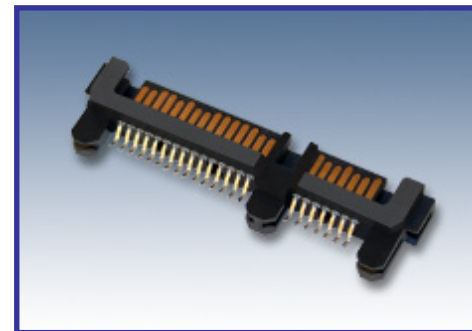
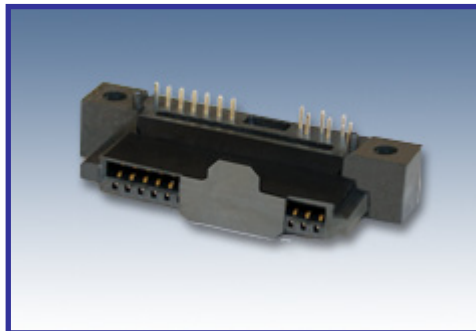
SATA Female 7+6P R/A, 7+15P
SMT and 7+15PR/A.



SATA Plug Vertical SMT
7+15P



PCI Express x1 THT, x4 SMT,
& x8 THT Connector



SFP+ 2xN		2x1		2x2		2x4		2x6	
		w/ Elastomeric Gasket	w/ Metal EMI Tabs	w/ Elastomeric Gasket	w/ Metal EMI Tabs	w/ Elastomeric Gasket	w/ Metal EMI Tabs	w/ Elastomeric Gasket	w/ Metal EMI Tabs
No Light Pipes		SFPP-3148-L	SFPP-3143-L	SFPP-3138-L	SFPP-3133-L	SFPP-3128-L	SFPP-3123-L	SFPP-3118-L	SFPP-3113-L
with Light Pipes	All	SFPP-3145-L	SFPP-3140-L	SFPP-3135-L	SFPP-3130-L	SFPP-3125-L	SFPP-3120-L	SFPP-3115-L	SFPP-3110-L
	Inner	SFPP-3146-L	SFPP-3141-L	SFPP-3136-L	SFPP-3131-L	SFPP-3126-L	SFPP-3121-L	SFPP-3116-L	SFPP-3111-L

SFP 2xN		2x1	2x2	2x4	2x6	2x8
No Light Pipes		SFP0-3047-L	SFP0-3033-L	SFP0-3027-L	SFP0-3013-L	SFP0-3003-L
with Light Pipes	All	SFP0-3040-L	SFP0-3030-L	SFP0-3020-L	SFP0-3010-L	SFP0-3000-L
	Inner	SFP0-3041-L	SFP0-3031-L	SFP0-3021-L	SFP0-3011-L	SFP0-3001-L

SFP+ 1xN Cage	1x1	
	Standard	PCIe Compliant (1° tilt)
Press-fit	SFPP-1100-L	SFPP-1110-L
Through-hole	—	SFPP-1130-L

PCI Express	# of Pins	Vertical SMT	Vertical THT
1μ"	36pin	E9002-001-01	E9001-001-01
15μ"	36pin	E9002-001-02	E9001-001-02
1μ"	64pin	E9002-002-01	E9001-002-01
15μ"	64pin	E9002-002-02	E9001-002-02
1μ"	98pin	E9002-003-01	E9001-003-01
15μ"	98pin	E9002-003-02	E9001-003-02
1μ"	164pin	E9002-004-01	E9001-004-01
15μ"	164pin	E9002-004-02	E9001-004-02

SATA Plug	7+15P
Vertical SMT	E9122-005-01

Thunderbolt	1x1
Aμ 30μ	E9320-001-02
Gold Flash	E9320-001-01

SATA Female	Right Angle
7+6P R/A	E9113-001-01
7+15P SMT	E9122-001-01
7+15P R/A	E9122-004-01

USB 3.0	1x1
B Type	E8199-030-01
Vertical THT	E8199-002-01
Micro-AB	E8110-001-01

SFP 1xN Connector	1x1	
	30μ"	SFPC-2001-L
15μ"	SFPC-2000-L	

RJ45 CAT5e 1x1	
CAT5 – no LED	E6788-540725-L
CAT5 – with LED	E6588-52L184-L
	E6588-62LP45-L

SFP 1xN Cage	1x1
Press-fit	SFP0-1000-L
Through-hole	SFP0-1010-L

* For any other platforms, please contact Pulse for data sheets.

Pulse North America Headquarters
12220 World Trade Drive
San Diego, CA 92128
U.S.A.

www.pulseeng.com

Tel: 858 674 8100
Fax: 858 674 8262

Pulse Europe
Zeppelinstrasse 15
D-71083 Herrenberg
Germany

Tel: 49 7032 7806 0
Fax: 49 7032 7806 135

Pulse China Headquarters
B402, Shenzhen Academy of
Aerospace Technology Bldg.
10th Kejinan Road
High-Tech Zone
Nanshan District
Shenzhen, PR China 518057

Tel: 86 755 33966678
Fax: 86 755 33966700

Pulse North China
Room 2704/2705
Super Ocean Finance Ctr.
2067 Yan An Road West
Shanghai 200336
China

Tel: 86 21 62787060
Fax: 86 2162786973

Pulse South Asia
13 5 Joo Seng Road
#03-02
PM Industrial Bldg.
Singapore 368363

Tel: 65 6287 8998
Fax: 65 6287 8998

Pulse North Asia
3F, No. 198
Zhongyuan Road
Zhongli City
Taoyuan County 320
Taiwan R. O. C.
Tel: 886 3 4356768
Fax: 886 3 4356823 (Pulse)
Fax: 886 3 4356820 (FRE)

Performance warranty of products offered on this data sheet is limited to the parameters specified. Data is subject to change without notice. Other brand and product names mentioned herein may be trademarks or registered trademarks of their respective owners. Pulse and the Squarewave logo are trademarks of Pulse Electronics, Inc., registered in the U.S. and other countries.