



Chipsmall Limited consists of a professional team with an average of over 10 year of expertise in the distribution of electronic components. Based in Hongkong, we have already established firm and mutual-benefit business relationships with customers from,Europe,America and south Asia,supplying obsolete and hard-to-find components to meet their specific needs.

With the principle of “Quality Parts,Customers Priority,Honest Operation,and Considerate Service”,our business mainly focus on the distribution of electronic components. Line cards we deal with include Microchip,ALPS,ROHM,Xilinx,Pulse,ON,Everlight and Freescale. Main products comprise IC,Modules,Potentiometer,IC Socket,Relay,Connector.Our parts cover such applications as commercial,industrial, and automotives areas.

We are looking forward to setting up business relationship with you and hope to provide you with the best service and solution. Let us make a better world for our industry!



## Contact us

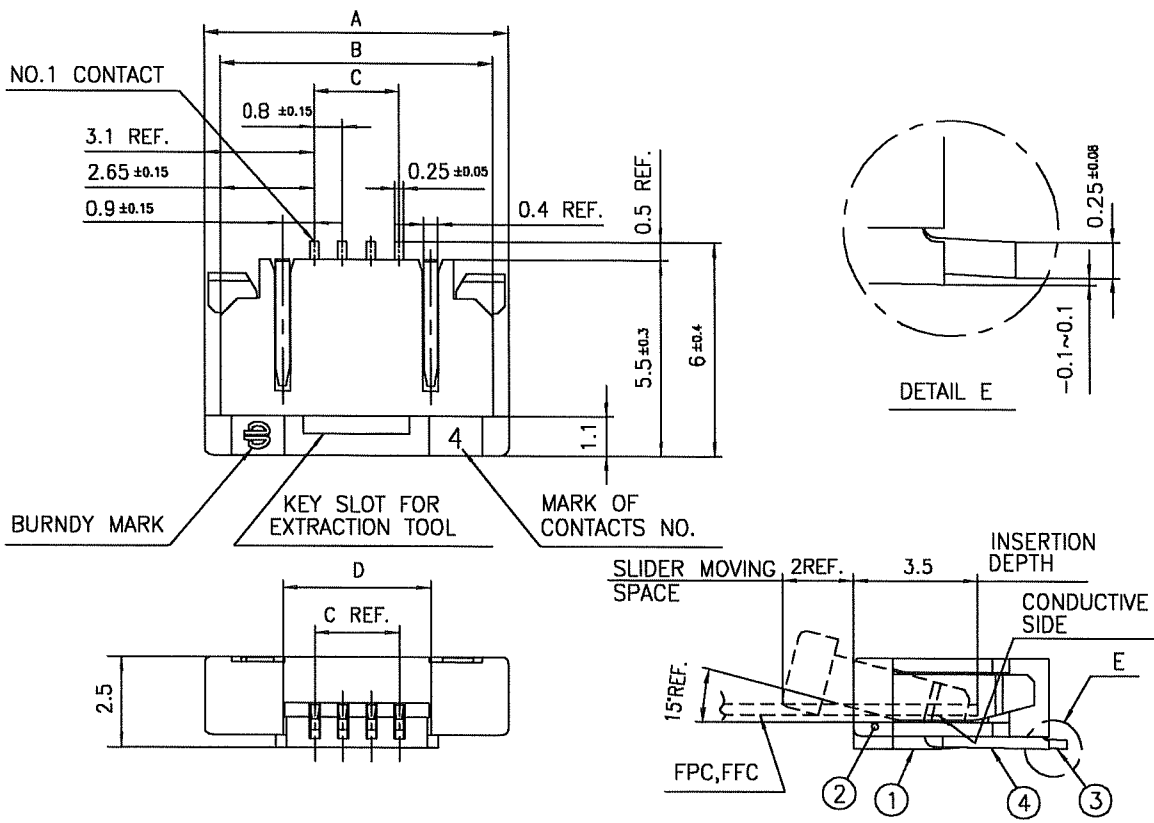
Tel: +86-755-8981 8866 Fax: +86-755-8427 6832

Email & Skype: info@chipsmall.com Web: www.chipsmall.com

Address: A1208, Overseas Decoration Building, #122 Zhenhua RD., Futian, Shenzhen, China



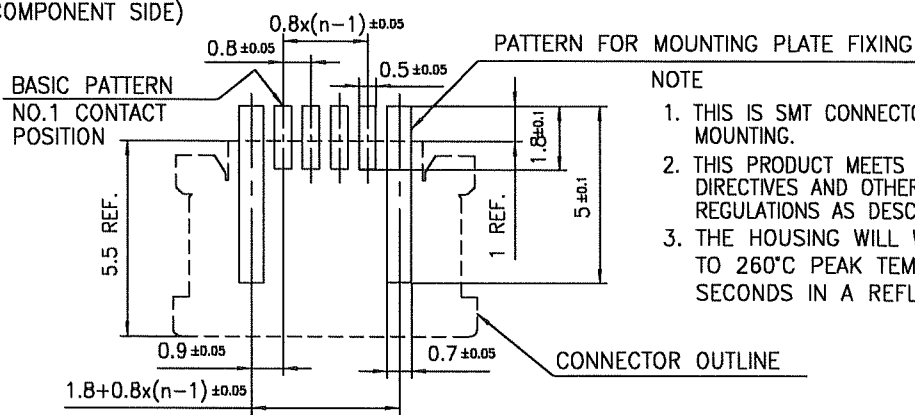




PT. NO.	PARTS NAME	MATERIAL	Q'TY	NOTE
1	HOUSING	PPS RESIN GLASS REINFORCED (UL94V-0)	1	COLOR:BLACK
2	SLIDER		1	
3	CONTACT	PHOSPHOR BRONZE	n	PLATING:TIN (LEAD FREE)
4	MOUNTING PLATE		2	

n : NO. OF CONTACTS

RECOMMENDED PC BOARD LAYOUT  
(COMPONENT SIDE)

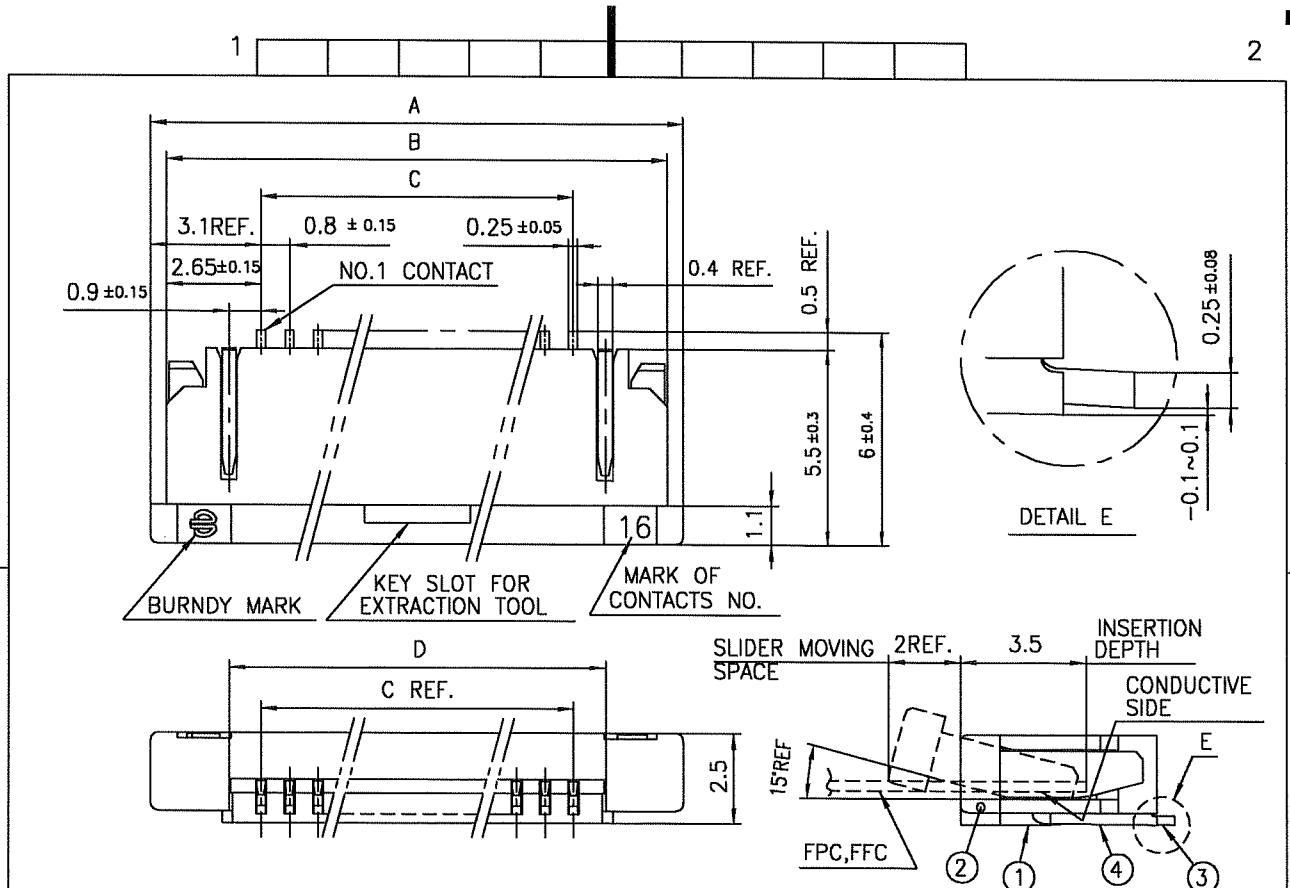


mat'l. code				surface	tolerance	projection	product family	58BF	CODE	JP
				ISO 1302	ISO 406	mm	title			
				ISO 1101	ISO 1101		0.8mm SPACING CONNECTOR			
ltr	ecn no	dr	date	tolerances unless otherwise specified		mm	type			
A	J05-0280	H.T.	5/12/05	angles	linear		Product Customer Drawing			
B	J05-0730	H.T.	10/28/05			scale	sheet 1 of 1			
C	J06-0485	H.T.	11/20/06				JSA 96439			
				dr	11/20/06		size			
				enr	11/20/06		A4			
				chr	11/20/06					
				appd	11/20/06					
sheet	revision	C								Rev.
index	sheet	1								C



FCIconnect.com

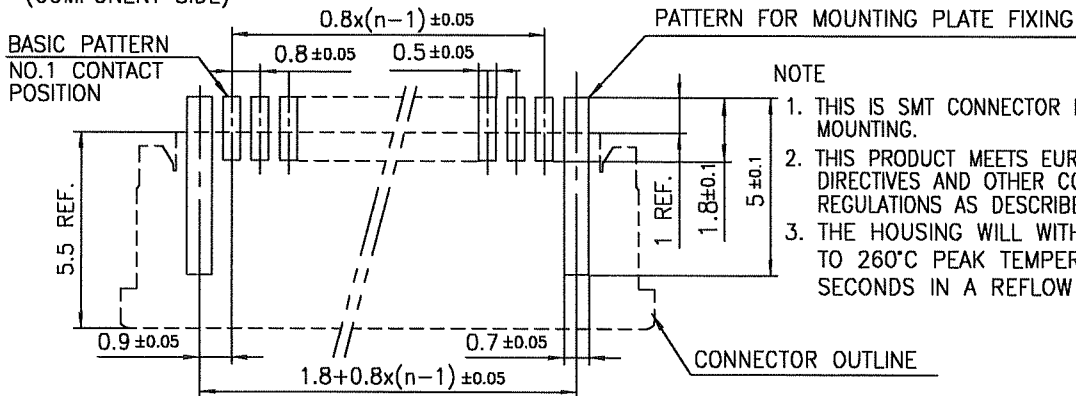
Copyright FCI.



PT. NO.	PARTS NAME	MATERIAL	Q'TY	NOTE
1	HOUSING	PPS RESIN GLASS REINFORCED (UL94V-0)	1	COLOR : BLACK
2	SLIDER		1	
3	CONTACT	PHOSPHOR BRONZE	n	PLATING : TIN (LEAD FREE)
4	MOUNTING PLATE		2	

n : NO. OF CONTACTS

RECOMMENDED PC BOARD LAYOUT  
(COMPONENT SIDE)

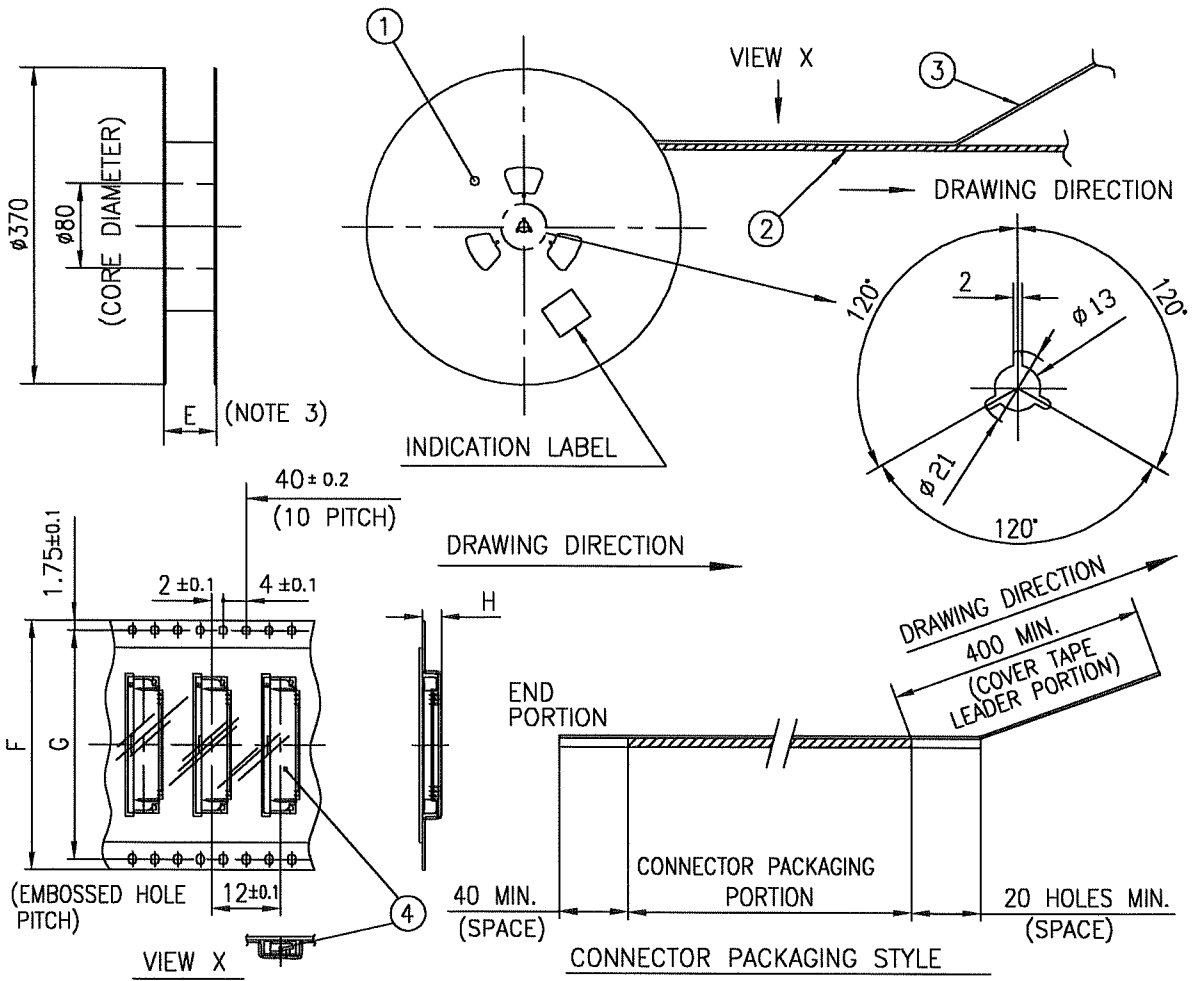


mat'l. code				surface ISO 1302 ✓	tolerance ISO 406 ISO 1101	projection mm	product family 58BF	CODE JP	
ltr	ecn no	dr	date	tolerances unless otherwise specified		mm	title 0.8mm SPACING CONNECTOR (Cat. No. SFR__R-1ST__LF)		
A	J05-0280	H.T	5/12/05	angles	linear		scale X	dwg no JSA 96440	
B	J05-0730	H.T	10/28/05					sheet 1 of 1 size A4	
C	J06-0485	H.T	11/20/06				type Product Customer Drawing		
				dr	11/20/06				
				enr	11/20/06				
				chr	11/20/06				
				appd	11/21/06				

sheet index	revision sheet	C	1																Rev. c
-------------	----------------	---	---	--	--	--	--	--	--	--	--	--	--	--	--	--	--	--	--------







PT. NO.	PARTS NAME	CAT. NO.	MATERIAL	Q'TY	NOTE
1	REEL	_____	CARDBOARD	1	COLOR:GRAY
2	PLASTIC (EMBOSS) TAPE	_____	POLYPROPYLENE or A-PET	_____	COLOR:TRANSPARENCY
3	COVER	_____	POLYESTER	_____	COLOR:TRANSPARENCY
4	SURFLOK CONNECTOR	SFR__R-1ST__LF	SEE ATTACHED DWG	2000	_____

NOTES

1. THIS IS PLASTIC TAPE PACKAGED SMT CONNECTORS FOR AUTOMATIC MOUNTING.
2. SEE JIS C 0806 (PACKING OF ELECTRONIC COMPONENTS ON CONTINUOUS TAPES (SURFACE MOUNTING DEVICES)) FOR SHAPE AND DIMENSIONS OF PLASTIC (EMBOSS) TAPE AND REEL.
3. E DIMENSION IS PORTION OF THE CORE.

mat'l. code		surface ISO 1302 ✓		tolerance ISO 406 ISO 1101		projection		product family 58BF		CODE JP	
ltr	ecn no	dr	date	tolerances unless otherwise specified		mm		title			
A	J05-0280	H.T	5/12/05	angles	linear	mm		PLASTIC TAPE PACKAGED 0.8mm SPACING CONNECTOR (Cat. No. SFR__R-1STE1LF)			
B	J06-0485	H.T	11/20/06	±5'		scale X		dwg no JSA 96442 sheet 1 of 1 size A4			
sheet index		revision sheet		dr		FCI		type Product Customer Drawing			
1		B 1		11/20/06				Rev. B			

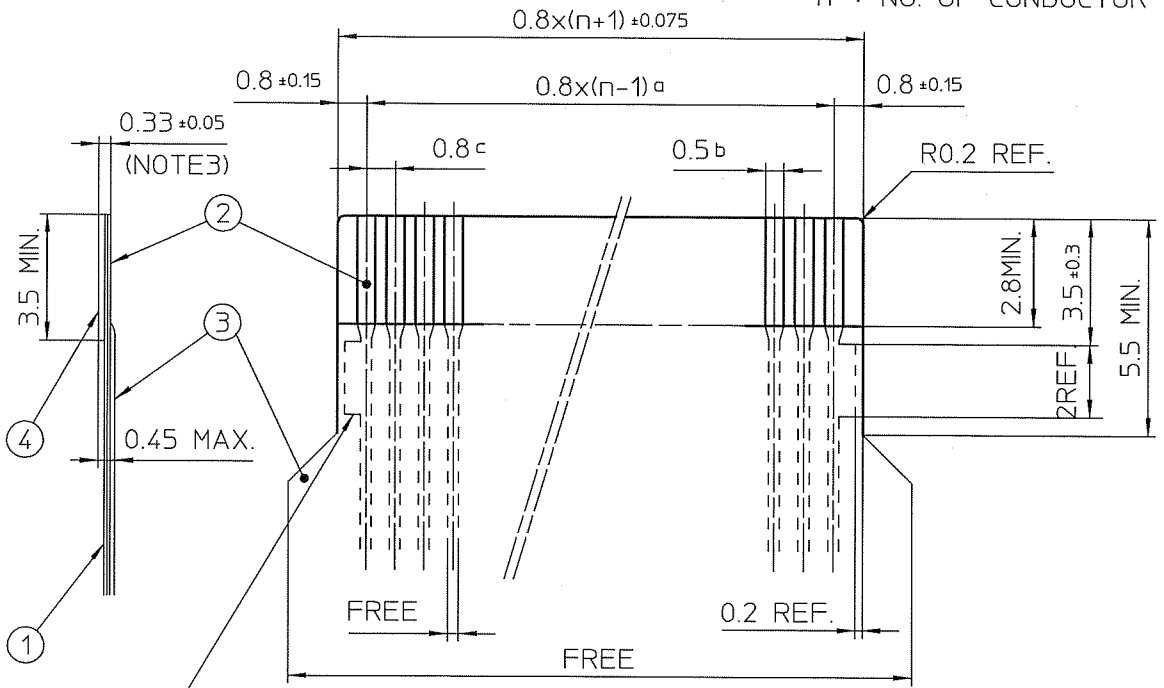


FCIconnect.com

Copyright FCI.

RECOMMENDED CABLE (FPC)

n : NO. OF CONDUCTOR



INSERTION INSPECTION MARK

KIND OF FPC (NOTE 4)	DIMENSIONAL TOLERANCE		
	a	b	c
1	±0.04	±0.05	±0.04
2	±0.035	±0.075	±0.035

PT. NO.	PARTS NAME	MATERIAL	THICKNESS (μm)
1	BASE FILM	POLYIMIDE OR POLYESTER OR EQUAL	25
2	CONDUCTOR	COPPER FOIL (PLATING : SOLDER 1μm MIN.)	35
3	OVERLAY	POLYIMIDE OR POLYESTER OR EQUAL	—
4	SUPPORTING TAPE	POLYESTER OR POLYIMIDE OR EQUAL	188

NOTES

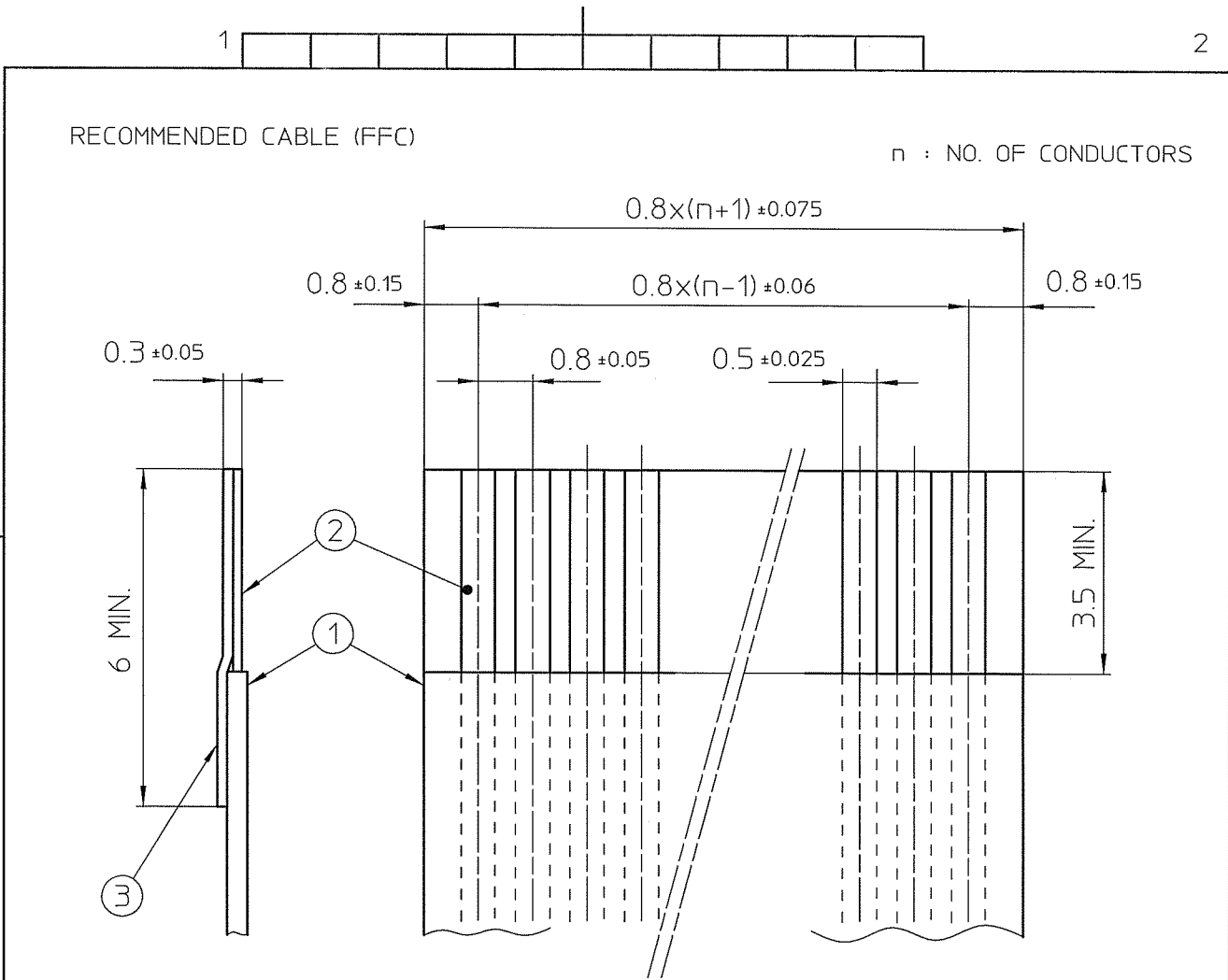
1. NO BURR AT EACH PORTION.
2. NO PEELING IN COMMON USE.
3. TOTAL THICKNESS LIMIT OF EACH MATERIAL (INCLUDING ADHESIVE AGENT) IS SPECIFIED.
4. EITHER KIND 1 OR KIND 2 OF FPC CAN ACCEPT DIMENSIONAL TOLERANCE a, b AND C.

mat'l. code				surface ISO 1302 <input checked="" type="checkbox"/>		tolerance ISO 406 ISO 1101		projection		product family 58BF		
ltr	ecn no	dr	date	tolerances unless otherwise specified				title				
AA	J04-0357	H.T	Oct.13/04	angles	linear			RECOMMENDED CABLE (CAT.No.SFR__R-1ST__)				
AB	J06-0351	H.T	8/29/06			scale X						
				dr	H. Takahashi 8/29/06				dwg no		sheet 1 of 1	size
				enr	H. Takahashi 8/29/06				JSA 90454		A4	
				chr	R. Shoji 8/29/06							
				appd	S. Okada 8/29/06				type Product Customer Drawing			
sheet index	revision sheet	AB	1									Rev. AB



FCJconnect.com

Copyright FCJ



PT. NO.	PARTS NAME	MATERIAL	NOTE
1	INSULATOR	FLAME RESISTING POLYESTER OR EQUAL	_____
2	CONDUCTOR	COPPER FOIL : 50 μm	PLATING : TIN OR SOLDER 1 μm MIN.
3	SUPPORTING TAPE	FLAME RESISTING POLYESTER OR EQUAL	_____

NOTES

1. NO BURR AT EACH PORTION.
2. NO PEELING IN COMMON USE.

mat'l. code				surface ISO 1302 ✓		tolerance ISO 406 ISO 1101		projection		product family 58BF		
ltr	ecn no	dr	date	tolerances unless otherwise specified				scale		title RECOMMENDED CABLE (FFC) (CAT.No.SFR__R-1ST__)		
AA	J04-0357	H.T	Oct.13/04	angles	linear							
AB	J06-0351	H.T	8/29/06									
				dr	<i>H. Shoyu</i> 8/29/06				dwg no		sheet 1 of 1	size
				enrg	<i>H. Shoyu</i> 8/29/06				JSA 90455		A4	
				chr	<i>K. Shoyu</i> 8/29/06				type Product Customer Drawing			
				appd	<i>S. Chidami</i> 8/29/06							
sheet index	revision sheet	AB	1							Rev. AB		



FCIconnect.com

Copyright FCI