



Chipsmall Limited consists of a professional team with an average of over 10 year of expertise in the distribution of electronic components. Based in Hongkong, we have already established firm and mutual-benefit business relationships with customers from,Europe,America and south Asia,supplying obsolete and hard-to-find components to meet their specific needs.

With the principle of “Quality Parts,Customers Priority,Honest Operation,and Considerate Service”,our business mainly focus on the distribution of electronic components. Line cards we deal with include Microchip,ALPS,ROHM,Xilinx,Pulse,ON,Everlight and Freescale. Main products comprise IC,Modules,Potentiometer,IC Socket,Relay,Connector.Our parts cover such applications as commercial,industrial, and automotives areas.

We are looking forward to setting up business relationship with you and hope to provide you with the best service and solution. Let us make a better world for our industry!



## Contact us

Tel: +86-755-8981 8866 Fax: +86-755-8427 6832

Email & Skype: info@chipsmall.com Web: www.chipsmall.com

Address: A1208, Overseas Decoration Building, #122 Zhenhua RD., Futian, Shenzhen, China



**COMP-O-GIDE™****Industry Standard Snap-in Card Guides for 1/16<sup>th</sup> PCBs**

- 52 configurations to meet most standard requirements
- Precision Molded for rigidity, strength and heat resistance from 94V-2 UL rated materials
- Stainless Steel Conductive Inserts available for all sizes (see page 19)
- Two channel depths and two channel widths available to accommodate 1/16<sup>th</sup> & 3/32<sup>nd</sup> PCBs
- Common industry standards interchange with competitive devices

**COMP-O-GIDE**, was introduced in 1985 to provide second sources for previously single source card guides. The series has expanded to offer wider selection and application specific function. Rigid, strong and economical, COMP-O-GIDES provide the installed reliability that your most demanding products require. Retention is firm and there are no special tools or fixtures required for installation.

**Mounting Information:**

Snap-in metal plates: 0.047" - 0.090" (1.2mm - 2.3mm) thick  
Hole Size: 0.180" (4.6mm) diameter + 0.003 (0.08mm), - 0.001 (0.03mm) 3/16<sup>th</sup> drill

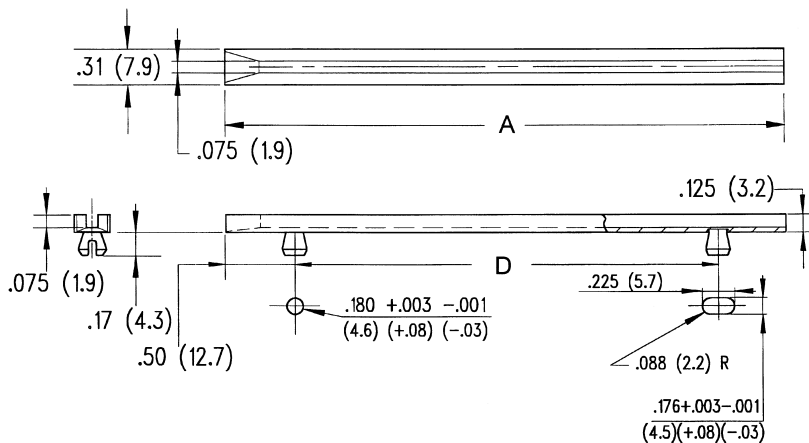
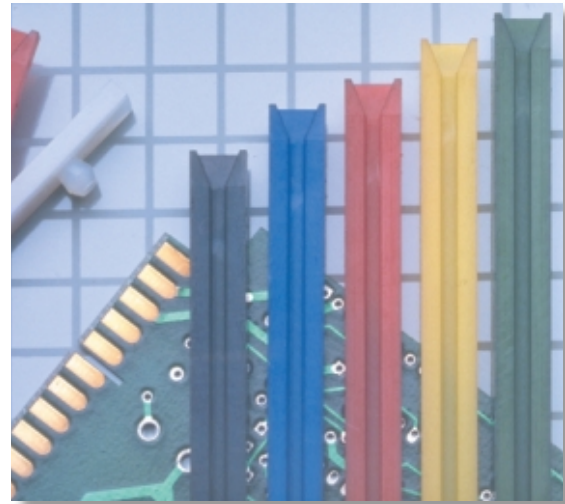
**Material Specifications:**

UL Rated 94V-2, natural, 6/6 Nylon per ASTM D4066 PA111  
Oxygen Index: +28%  
UL File #E135532

**Application Notes:**

Slotting or elongating of the second and third mounting hole is recommended to allow for length variations and to provide for easier assembly.

Prolonged pre-assembly exposure to high humidity can cause molded Nylon components to "grow" out of tolerance. Storage in a cool dry place is recommended. Open sealed vapor barrier bags at the time of production to assure optimum shelf life.

**Comp-O-Gide for 1/16<sup>th</sup> PCBs  
2 1/2" thru 8" Lengths**

Part No.	A ±.031 (.79)	B ±.016 (.41)
SFS-250	2.5 (63.5)	1.5 (38.1)
SFS-300	3.0 (76.2)	2.0 (50.8)
SFS-350	3.5 (88.9)	2.5 (63.5)
SFS-400	4.0 (101.6)	3.0 (76.2)
SFS-450	4.5 (114.3)	3.0 (76.2)
SFS-451	4.5 (114.3)	3.5 (88.9)
SFS-500	5.0 (127.0)	4.0 (101.6)
SFS-550	5.5 (139.7)	4.5 (114.3)
SFS-600	6.0 (152.4)	5.0 (127.0)
SFS-650	6.5 (165.1)	5.02 (127.5)
SFS-651	6.5 (165.1)	5.5 (139.7)
SFS-700	7.0 (177.8)	6.0 (152.4)
SFS-750	7.5 (190.5)	6.5 (165.1)
SFS-800	8.0 (203.2)	7.0 (177.8)