



Chipsmall Limited consists of a professional team with an average of over 10 year of expertise in the distribution of electronic components. Based in Hongkong, we have already established firm and mutual-benefit business relationships with customers from,Europe,America and south Asia,supplying obsolete and hard-to-find components to meet their specific needs.

With the principle of “Quality Parts,Customers Priority,Honest Operation,and Considerate Service”,our business mainly focus on the distribution of electronic components. Line cards we deal with include Microchip,ALPS,ROHM,Xilinx,Pulse,ON,Everlight and Freescale. Main products comprise IC,Modules,Potentiometer,IC Socket,Relay,Connector.Our parts cover such applications as commercial,industrial, and automotives areas.

We are looking forward to setting up business relationship with you and hope to provide you with the best service and solution. Let us make a better world for our industry!



## Contact us

Tel: +86-755-8981 8866 Fax: +86-755-8427 6832

Email & Skype: info@chipsmall.com Web: www.chipsmall.com

Address: A1208, Overseas Decoration Building, #122 Zhenhua RD., Futian, Shenzhen, China





FCIconnect.com

Copyright FCI.

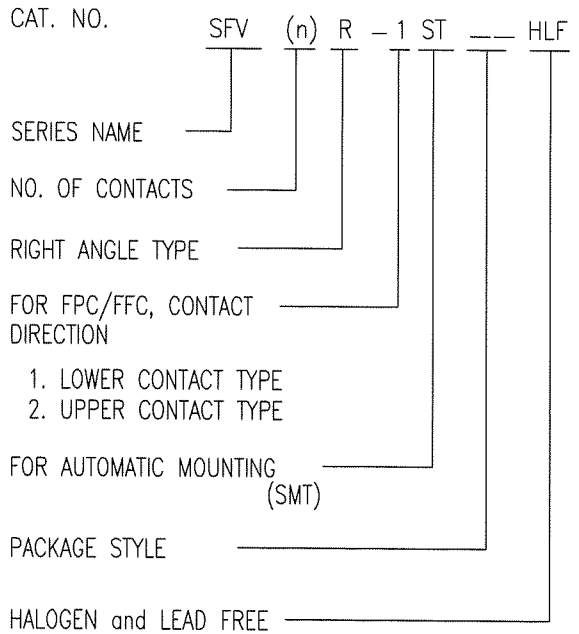
List of "SFV\_\_R-1/2STE1HLF" customer document

DOCUMENT NO.	LIST
10112793(Sheet1)	DOCUMENT LIST
10112793(Sheet2)	CAT.NO.TABLE FOR 0.5mm CONTACT SPACING CONNECTOR (SFV__R-1/2ST_HLF)
10112793(Sheet3)	CONNECTOR USED FOR FPC/FPC WITH 0.5mm CONTACT SPACING (SFV__R-1ST_HLF)
10112793(Sheet4)	CONNECTOR USED FOR FPC/FPC WITH 0.5mm CONTACT SPACING (SFV__R-2ST_HLF)
10112793(Sheet5)	CAT.NO.TABLE FOR PLASTIC TAPE PACKAGED 0.5mm CONTACT SPACING CONNECTOR (SFV__R-1/2STE1HLF)
10112793(Sheet6)	PLASTIC TAPE PACKAGED 0.5mm CONTACT SPACING CONNECTOR (SFV__R-1STE1HLF)
10112793(Sheet7)	PLASTIC TAPE PACKAGED 0.5mm CONTACT SPACING CONNECTOR (SFV__R-2STE1HLF)
10112793(Sheet8)	RECOMMENDED CABLE (FPC) (SFV__R-1/2ST__LF)
10112793(Sheet9)	RECOMMENDED CABLE (FPC) (SFV__R-1/2ST__)
GS-12-645	SPEC.
BJM-SFV101	HANDLING PROCEDURES

mat'l. code				surface ISO 1302 <input checked="" type="checkbox"/>		tolerance ISO 406 ISO 1101		projection 		product family 58EF		CODE JP	
ltr	ecn no	dr	date	tolerances unless otherwise specified		angles		mm 		title 0.5mm SPACING FPC CONNECTOR DOCUMENT LIST (Cat. No. : SFV__R-1/2STE1HLF)			
A	J10-0028	S.W	2010-2-8							dwg no		sheet 1 of 9	
B	J10-0245	S.W	2010-9-14							10112793		size A4	
				dr		2010-9-14				type Product Customer Drawing			
				enr		2010-9-14							
				chr		2010-9-14							
				appd		2010-9-14							
sheet index	revision sheet	B	B	B	B	B	B	B	B	B	B	B	Rev. B
		1	2	3	4	5	6	7	8	9			

CAT. NO. & DIMENSIONS

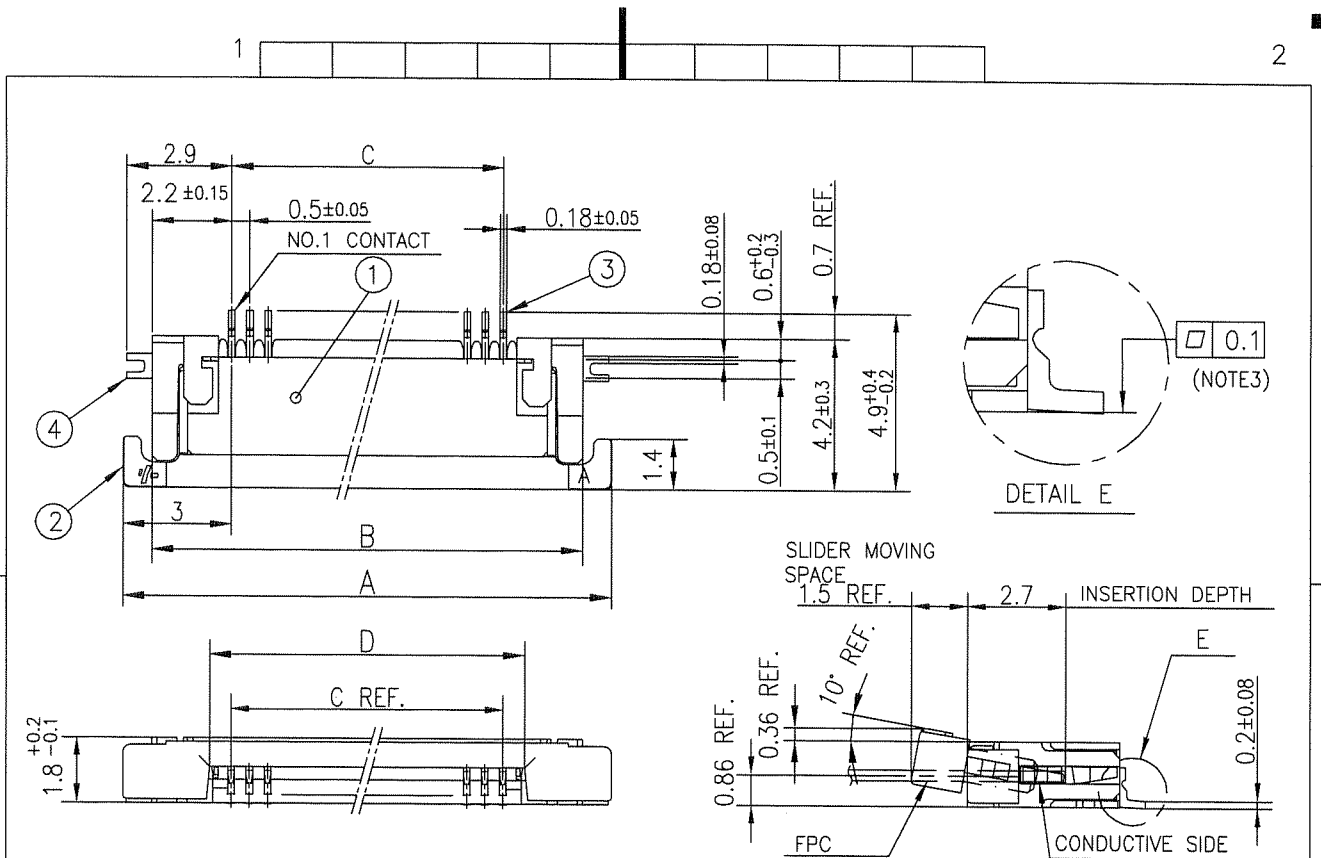
NO. OF CONTACTS (n)	CAT. NO.	DIMENSIONS (NOTE2)			
		A ± 0.2	B ± 0.2	C ± 0.1	D ± 0.1
4	SFV4R-1/2ST__HLF	7.5	5.9	1.5	2.7
5	SFV5R-1/2ST__HLF	8.0	6.4	2.0	3.2
6	SFV6R-1/2ST__HLF	8.5	6.9	2.5	3.7
7	SFV7R-1/2ST__HLF	9.0	7.4	3.0	4.2
8	SFV8R-1/2ST__HLF	9.5	7.9	3.5	4.7
9	SFV9R-1/2ST__HLF	10.0	8.4	4.0	5.2
10	SFV10R-1/2ST__HLF	10.5	8.9	4.5	5.7
11	SFV11R-1/2ST__HLF	11.0	9.4	5.0	6.2
12	SFV12R-1/2ST__HLF	11.5	9.9	5.5	6.7
13	SFV13R-1/2ST__HLF	12.0	10.4	6.0	7.2
14	SFV14R-1/2ST__HLF	12.5	10.9	6.5	7.7
15	SFV15R-1/2ST__HLF	13.0	11.4	7.0	8.2
16	SFV16R-1/2ST__HLF	13.5	11.9	7.5	8.7
17	SFV17R-1/2ST__HLF	14.0	12.4	8.0	9.2
18	SFV18R-1/2ST__HLF	14.5	12.9	8.5	9.7
19	SFV19R-1/2ST__HLF	15.0	13.4	9.0	10.2
20	SFV20R-1/2ST__HLF	15.5	13.9	9.5	10.7
21	SFV21R-1/2ST__HLF	16.0	14.4	10.0	11.2
22	SFV22R-1/2ST__HLF	16.5	14.9	10.5	11.7
23	SFV23R-1/2ST__HLF	17.0	15.4	11.0	12.2
24	SFV24R-1/2ST__HLF	17.5	15.9	11.5	12.7
25	SFV25R-1/2ST__HLF	18.0	16.4	12.0	13.2
26	SFV26R-1/2ST__HLF	18.5	16.9	12.5	13.7
27	SFV27R-1/2ST__HLF	19.0	17.4	13.0	14.2
28	SFV28R-1/2ST__HLF	19.5	17.9	13.5	14.7
29	SFV29R-1/2ST__HLF	20.0	18.4	14.0	15.2
30	SFV30R-1/2ST__HLF	20.5	18.9	14.5	15.7
31	SFV31R-1/2ST__HLF	21.0	19.4	15.0	16.2
32	SFV32R-1/2ST__HLF	21.5	19.9	15.5	16.7
33	SFV33R-1/2ST__HLF	22.0	20.4	16.0	17.2
34	SFV34R-1/2ST__HLF	22.5	20.9	16.5	17.7
35	SFV35R-1/2ST__HLF	23.0	21.4	17.0	18.2



NOTES

1. THIS PRODUCT IS THE CONNECTOR USED FOR FPC AND COPES WITH AUTOMATIC MOUNTING (SMT).
2. SEE PART DRAWINGS FOR DIMENSIONS A~D.

mat'l. code		surface ISO 1302 <input checked="" type="checkbox"/>		tolerance ISO 406 <input checked="" type="checkbox"/>		projection		product family 58EF		CODE JP	
ltr B		ecn no		dr		date		tolerances, unless otherwise specified		title	
								angles linear		CAT. NO. TABLE FOR 0.5 mm CONTACT SPACING CONNECTOR (Cat. No. : SFV__R-1/2ST__HLF)	
								mm		scale X	
				dr		2010-9-14		FCI		dwg no 10112793 sheet 2 of 9 size A4	
				enr		2010-9-14					
				chr		2010-9-14					
				appd		Sep 16/10					
sheet index		revision sheet						type Product Customer Drawing		Rev B	

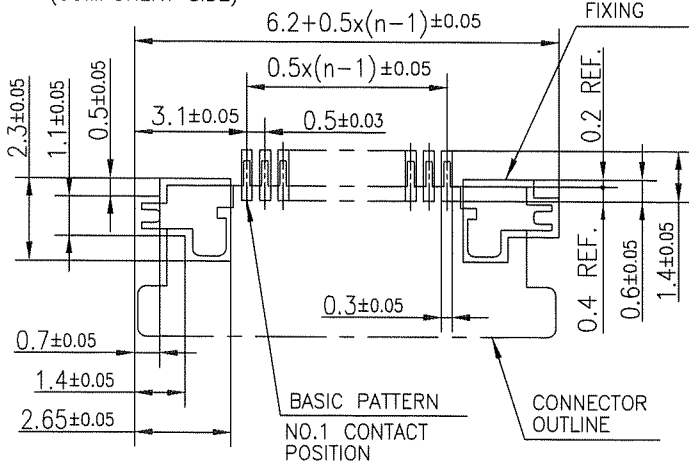


PT. NO.	PARTS NAME	MATERIAL	Q'TY	NOTE
1	HOUSING	13~35pin : LCP RESIN GLASS REINFORCED (UL94V-0)	1	COLOR : BLACK (HALOGEN FREE)
		4~12pin : POLYAMIDE RESIN GLASS REINFORCED (UL94V-0)		
2	SLIDER	PPS RESIN GLASS REINFORCED (UL94V-0)	1	COLOR : BLACK (HALOGEN FREE)
3	CONTACT	PHOSPHOR BRONZE	n	PLATING : THIN TIN
4	MOUNTING PLATE		2	PLATING : LEAD FREE

RECOMMENDED PC BOARD LAYOUT  
(COMPONENT SIDE)

PATTERN FOR MOUNTING PLATE FIXING

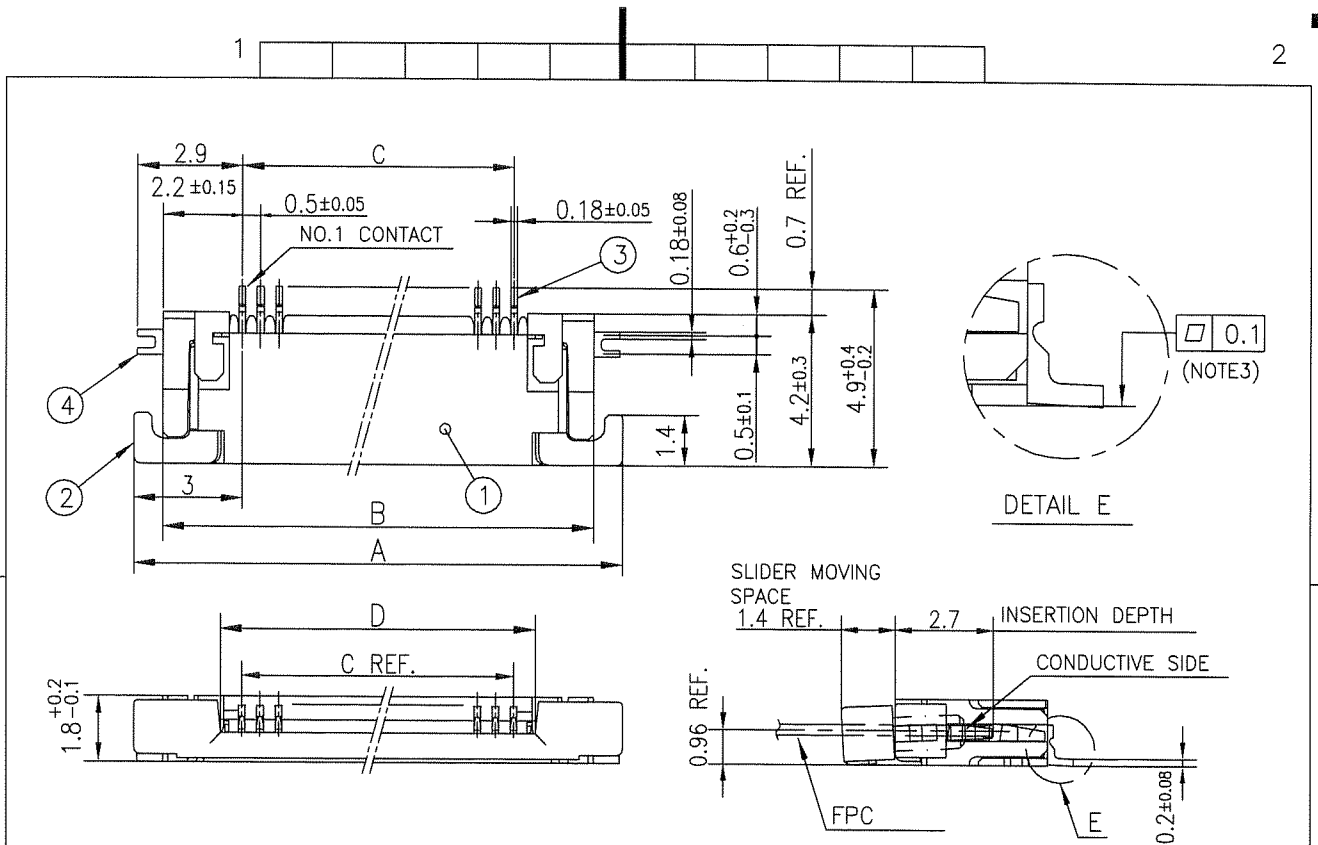
n : NO. OF CONTACTS



NOTES

1. THIS PRODUCT IS THE CONNECTOR USED FOR FPC AND COPS WITH AUTOMATIC MOUNTING (SMT).
2. THIS PRODUCT IS LOWER CONTACT TYPE CONNECTOR.
3. FLATNESS OF CONTACT TERMINAL AND MOUNTING PLATE MUST BE WITHIN TOLERANCE IN E PORTION DETAILED DRAWING.
4. THIS PRODUCT MEETS EUROPEAN UNION DIRECTIVES AND OTHER COUNTRY REGULATIONS AS DESCRIBED IN GS-22-008.
5. THE HOUSING WILL WITHSTAND EXPOSURE TO 260°C PEAK TEMPERATURE FOR 10 SECONDS IN A REFLOW SOLDERING OVEN.

mat'l. code		surface ISO 1302 ✓ ISO 406 ISO 1101		tolerance ISO 1101	projection 	product family 58EF	CODE JP
ltr	ecn no	dr	date	tolerances unless otherwise specified	mm 	title CONNECTOR USED FOR FPC WITH 0.5 mm CONTACT SPACING (Cat No. : SFV__R-1ST__HLF)	
B				angles linear	scale X	dwg no sheet 3 of 9 size	
				dr S. Mithala 2010-9-14		10112793 A4	
				enr S. Mithala 2010-9-14		type Product Customer Drawing	
				chr M. S. MATHALU 2010-9-14			
sheet index	revision sheet			appd M. S. MATHALU Sep 16/10			Rev. B

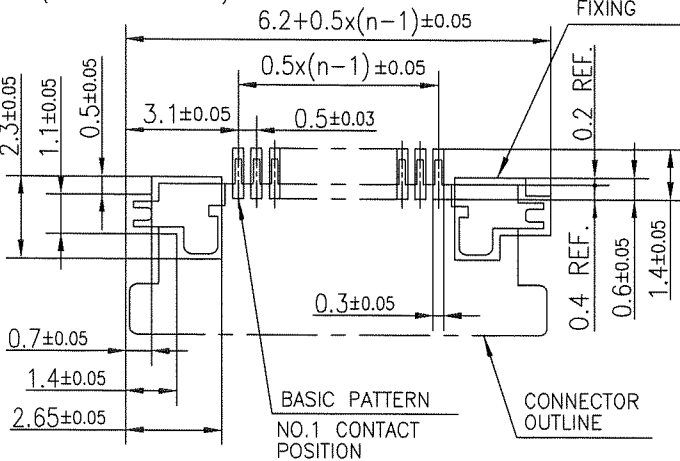


PT. NO.	PARTS NAME	MATERIAL	Q'TY	NOTE
1	HOUSING	13~35pin : LCP RESIN GLASS REINFORCED (UL94V-0)	1	COLOR : BLACK (HALOGEN FREE)
		4~12pin : POLYAMIDE RESIN GLASS REINFORCED (UL94V-0)		
2	SLIDER	PPS RESIN GLASS REINFORCED (UL94V-0)	1	COLOR : BLACK (HALOGEN FREE)
3	CONTACT	PHOSPHOR BRONZE	n	PLATING : THIN TIN
4	MOUNTING PLATE		2	PLATING : LEAD FREE

n : NO. OF CONTACTS

RECOMMENDED PC BOARD LAYOUT  
(COMPONENT SIDE)

PATTERN FOR  
MOUNTING PLATE  
FIXING



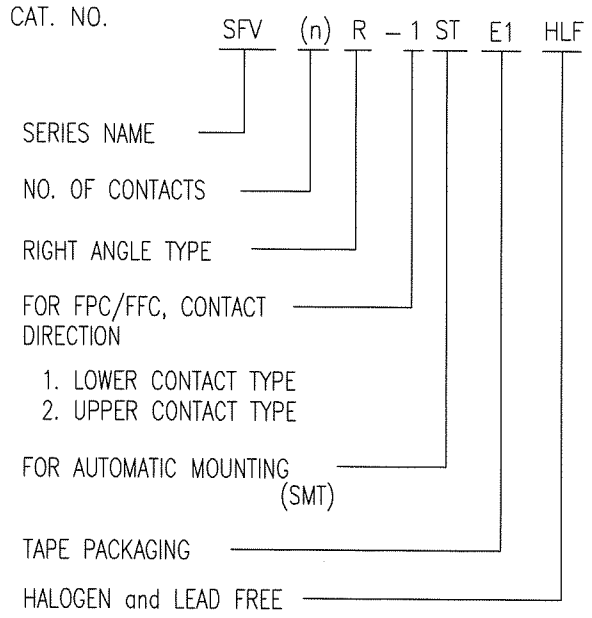
NOTES

- THIS PRODUCT IS THE CONNECTOR USED FOR FPC AND COPELS WITH AUTOMATIC MOUNTING (SMT).
- THIS PRODUCT IS UPPER CONTACT TYPE CONNECTOR.
- FLATNESS OF CONTACT TERMINAL AND MOUNTING PLATE MUST BE WITHIN TOLERANCE IN E PORTION DETAILED DRAWING.
- THIS PRODUCT MEETS EUROPEAN UNION DIRECTIVES AND OTHER COUNTRY REGULATIONS AS DESCRIBED IN GS-22-008.
- THE HOUSING WILL WITHSTAND EXPOSURE TO 260°C PEAK TEMPERATURE FOR 10 SECONDS IN A REFLOW SOLDERING OVEN.

mat'l. code		surface ISO 1302 ✓ tolerance ISO 406 ISO 1101		projection mm		product family 58EF		CODE JP	
ltr		ecn no		dr		date		title CONNECTOR USED FOR FPC WITH 0.5 mm CONTACT SPACING (Cat. No. : SFV__R-2ST__HLF)	
B								scale X	
		angles		linear				dwg no 10112793	
		dr		enr		chr		appd	
		S. Nishida		2010-9-14		M. S. Nishida		2010-9-14	
		M. S. Nishida		2010-9-14		M. S. Nishida		2010-9-14	
		M. S. Nishida		2010-9-14		M. S. Nishida		2010-9-14	
		M. S. Nishida		2010-9-14		M. S. Nishida		2010-9-14	
sheet index		revision sheet						type Product Customer Drawing	
								Rev. B	

CAT. NO. & DIMENSIONS

NO. OF CONTACTS (n)	CAT. NO.	DIMENSIONS (NOTE3)		
		F ± 5	G ± 0.3	H ± 0.1
4	SFV4R-1/2STE1HLF	20.4	16	—
5	SFV5R-1/2STE1HLF	20.4	16	—
6	SFV6R-1/2STE1HLF	20.4	16	—
7	SFV7R-1/2STE1HLF	28.4	24	—
8	SFV8R-1/2STE1HLF	28.4	24	—
9	SFV9R-1/2STE1HLF	28.4	24	—
10	SFV10R-1/2STE1HLF	28.4	24	—
11	SFV11R-1/2STE1HLF	28.4	24	—
12	SFV12R-1/2STE1HLF	28.4	24	—
13	SFV13R-1/2STE1HLF	28.4	24	—
14	SFV14R-1/2STE1HLF	28.4	24	—
15	SFV15R-1/2STE1HLF	28.4	24	—
16	SFV16R-1/2STE1HLF	28.4	24	—
17	SFV17R-1/2STE1HLF	28.4	24	—
18	SFV18R-1/2STE1HLF	28.4	24	—
19	SFV19R-1/2STE1HLF	28.4	24	—
20	SFV20R-1/2STE1HLF	28.4	24	—
21	SFV21R-1/2STE1HLF	28.4	24	—
22	SFV22R-1/2STE1HLF	28.4	24	—
23	SFV23R-1/2STE1HLF	36.4	32	28.4
24	SFV24R-1/2STE1HLF	36.4	32	28.4
25	SFV25R-1/2STE1HLF	36.4	32	28.4
26	SFV26R-1/2STE1HLF	36.4	32	28.4
27	SFV27R-1/2STE1HLF	36.4	32	28.4
28	SFV28R-1/2STE1HLF	36.4	32	28.4
29	SFV29R-1/2STE1HLF	36.4	32	28.4
30	SFV30R-1/2STE1HLF	36.4	32	28.4
31	SFV31R-1/2STE1HLF	48.4	44	40.4
32	SFV32R-1/2STE1HLF	48.4	44	40.4
33	SFV33R-1/2STE1HLF	48.4	44	40.4
34	SFV34R-1/2STE1HLF	48.4	44	40.4
35	SFV35R-1/2STE1HLF	48.4	44	40.4



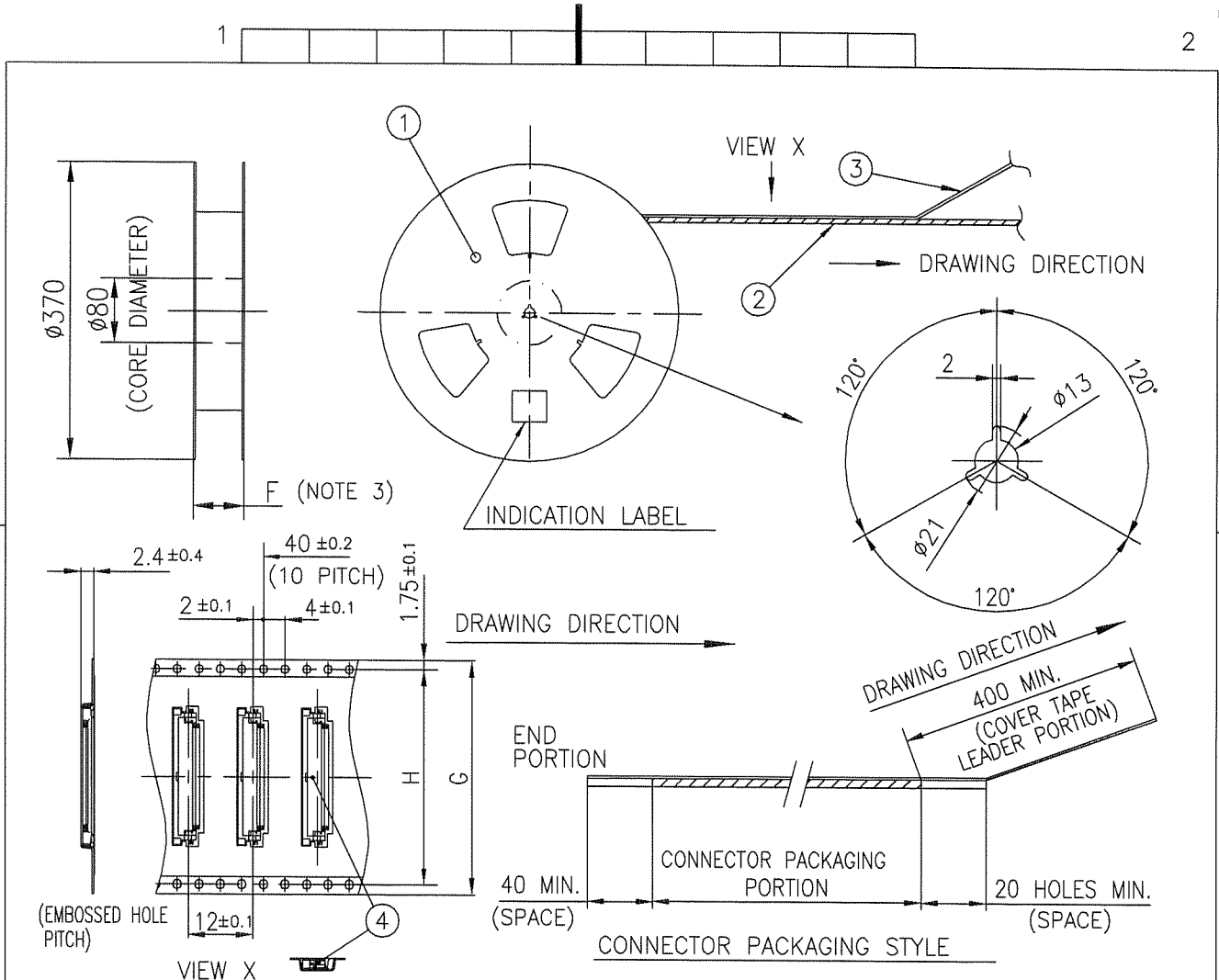
NOTES

1. THIS PRODUCT IS THE CONNECTOR USED FOR FPC AND COPES WITH AUTOMATIC MOUNTING (SMT).
2. THIS CATALOG NO. INDICATES PLASTIC TAPE PACKAGED CONNECTOR.
3. SEE PART DRAWINGS FOR DIMENSIONS F~H.



Copyright FCI.

mat'l. code				surface ISO 1302 ✓		tolerance ISO 406 ISO 1101		projection 		product family 58EF		CODE JP	
ltr B		ecn no		dr		date		angles linear		title CAT. NO. TABLE FOR PLASTIC TAPE PACKAGED 0.5 mm CONTACT SPACING CONNECTOR (Cat. No. : SFV__R-1/2STE1HLF)		dwg no 10112793	
sheet index		revision sheet		dr S. K. Nataraj 2010-9-14		enrg S. K. Nataraj 2010-9-14		chr M. Y. H. S. 2010-9-14		appd M. Y. H. S. 2010-9-14		sheet 5 of 9 size A4	
type Product Customer Drawing												Rev. B	



PT. NO.	PARTS NAME	CAT. NO.	MATERIAL	Q'TY	NOTE
1	REEL	—	CARDBOARD	1	COLOR : WHITE
2	PLASTIC (EMBOSS) TAPE	—	A-PET	—	COLOR : TRANSPARENCY
3	COVER	—	POLYESTER	—	COLOR : TRANSPARENCY
4	CONNECTOR	SFV__R-1ST_HLF	SEE ATTACHED DWG.	3000	LOWER CONTACT TYPE

NOTES

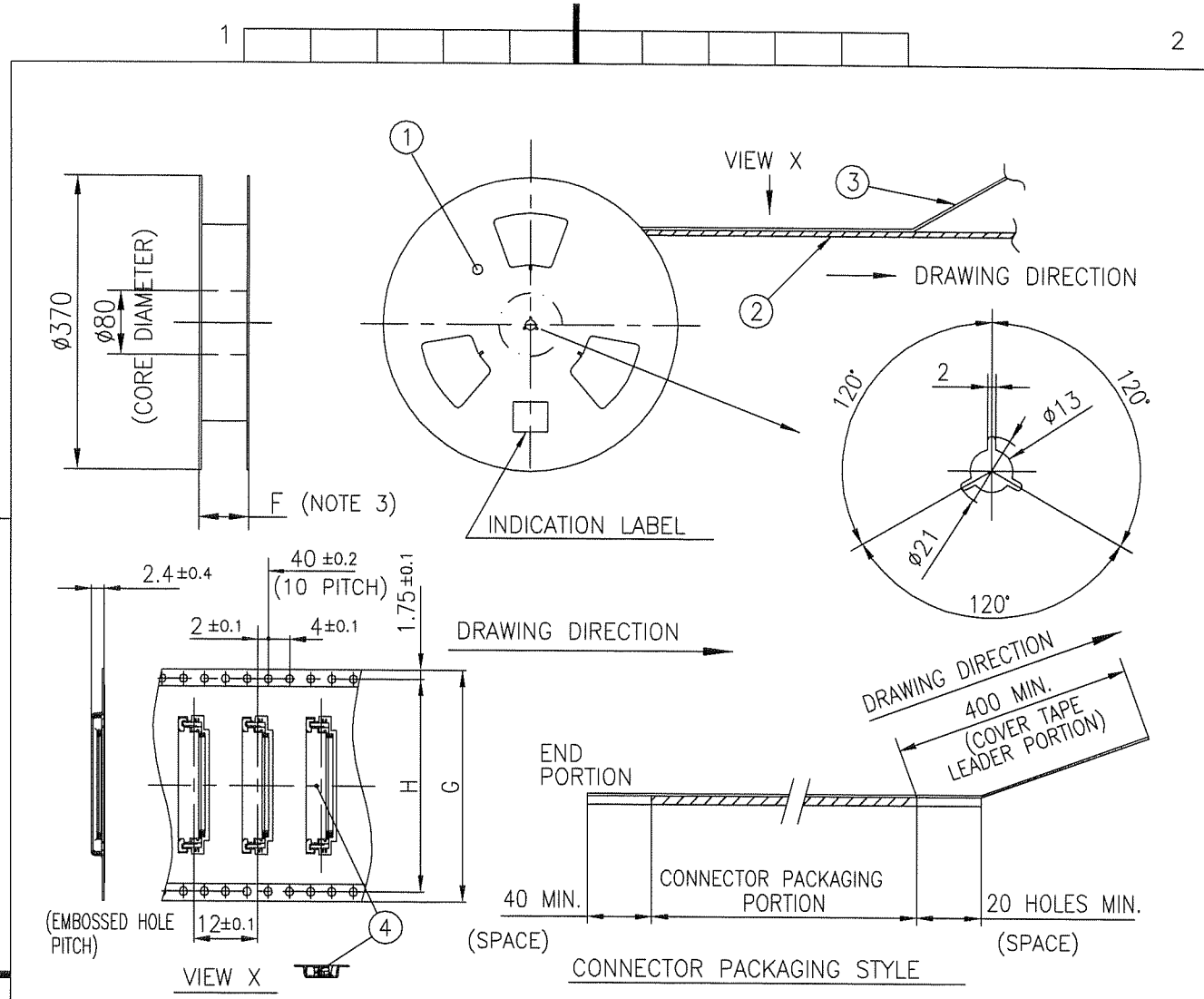
1. THIS IS PLASTIC TAPE PACKAGED CONNECTOR USED FOR FPC AND COPES WITH AUTOMATIC MOUNTING (SMT).
2. SEE JIS C 0806 (PACKING OF ELECTRONIC COMPONENTS ON CONTINUOUS TAPES (SURFACE MOUNTING DEVICES)) FOR SHAPE AND DIMENSIONS OF PLASTIC (EMBOSS) TAPE AND REEL.
3. F DIMENSION IS PORTION OF THE CORE.

mat'l. code		surface 58 ✓ ISO 1302		tolerance ISO 406 ISO 1101		projection		product family 58EF		CODE JP		
ltr	ecn	no	dr	date		tolerances unless otherwise specified		title		PLASTIC TAPE PACKAGED 0.5 mm CONTACT SPACING CONNECTOR (Cat. No. : SFV__R-1STE1HLF)		
B						angles ±5		mm		dwg no 10112793		
						linear ±5'		scale X		sheet 6 of 9 size A4		
				dr S. Mitani 2010-9-14				FCJ		type Product Customer Drawing		
				engr S. Mitani 2010-9-14						Rev B		
				chr H. YAMASITA 2010-9-14								
				appd MCM Sep 16/10								
sheet index	revision sheet											



FCIconnect.com

Copyright FCI.



PT. NO.	PARTS NAME	CAT. NO.	MATERIAL	Q'TY	NOTE
1	REEL	_____	CARDBOARD	1	COLOR : WHITE
2	PLASTIC (EMBOSS) TAPE	_____	A-PET	_____	COLOR : TRANSPARENCY
3	COVER	_____	POLYESTER	_____	COLOR : TRANSPARENCY
4	CONNECTOR	SFV__R-2ST_HLF	SEE ATTACHED DWG.	3000	UPPER CONTACT TYPE

NOTES

1. THIS IS PLASTIC TAPE PACKAGED CONNECTOR USED FOR FPC AND COPES WITH AUTOMATIC MOUNTING (SMT).
2. SEE JIS C 0806 (PACKING OF ELECTRONIC COMPONENTS ON CONTINUOUS TAPES (SURFACE MOUNTING DEVICES)) FOR SHAPE AND DIMENSIONS OF PLASTIC (EMBOSS) TAPE AND REEL.
3. F DIMENSION IS PORTION OF THE CORE.

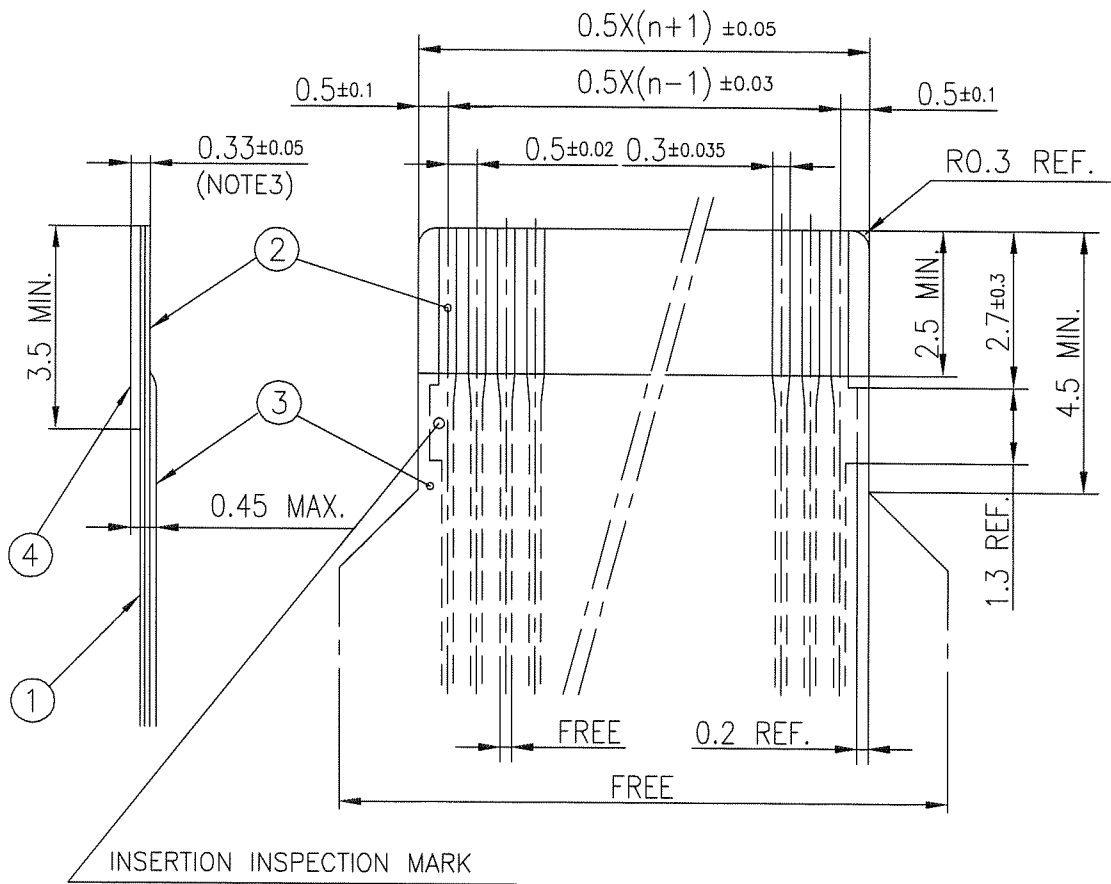
mat'l. code		surface ISO 1302 ✓		tolerance ISO 406 ISO 1101		projection		product family 58EF		CODE JP	
ltr		ecn no		dr		date		title		PLASTIC TAPE PACKAGED 0.5 mm CONTACT SPACING CONNECTOR (Cat. No. : SFV__R-2STE1HLF)	
B				angles		linear ±5		mm		scale X	
				±5'							
				dr		S. M. M. 2010-9-14		FCJ		dwg no 10112793	
				enr		S. M. M. 2010-9-14				sheet 7 of 9	
				chr		M. YAMAGUCHI 2010-9-14				size A4	
				app		M. M. M. Sep 16/10				type Product Customer Drawing	
sheet index		revision sheet								Rev. B	

form: A4



RECOMMENDED CABLE (FPC)

n : NO. OF CONTACTS



PT. NO.	PARTS NAME	MATERIAL	THICKNESS (μm)
1	BASE FILM	POLYIMIDE OR POLYESTER OR EQUAL	25
2	CONDUCTOR	COPPER FOIL(PLATING : SOLDER 1μm MIN.)	35
3	OVERLAY	POLYIMIDE OR POLYESTER OR EQUAL	—
4	SUPPORTING TAPE	POLYESTER OR POLYIMIDE OR EQUAL	188

NOTES

1. NO BURR AT EACH PORTION.
2. NO PEELING IN COMMON USE.
3. TOTAL THICKNESS LIMIT OF EACH MATERIAL (INCLUDING ADHESIVE AGENT) IS SPECIFIED.

mat'l. code				surface ISO 1302 ✓ tolerances unless otherwise specified		tolerance ISO 406 ISO 1101		projection mm		product family 58EF		CODE JP
ltr	ecn no	dr	date	angles	linear	mm		scale X		title RECOMMENDED CABLE (Cat. No. : SFV__R-1/2ST__)		
B										dwg no 10112793		sheet 8 of 9
				dr	engr	chr	appd	FCJ		size A4		
										type Product Customer Drawing		
sheet index	revision sheet											Rev B

form: A4

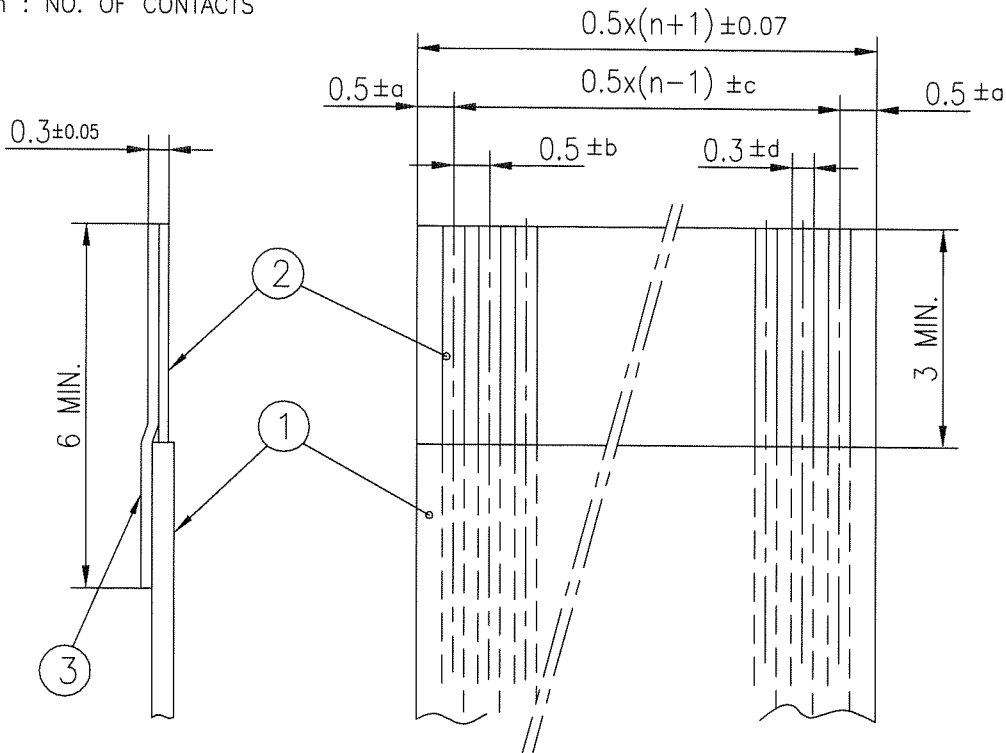


FCJconnect.com

Copyright FCJ.

RECOMMENDED CABLE (FFC)

n : NO. OF CONTACTS



KIND OF FFC (NOTE3)	DIMENSIONAL TOLERANCE			
	a	b	c	d
1	±0.07	±0.04	±0.05	±0.02
2	±0.1	±0.03	±0.03	±0.025

PT. NO.	PARTS NAME	MATERIAL	NOTE
1	INSULATOR	FLAME RESISTING POLYESTER OR EQUAL	_____
2	CONDUCTOR	COPPER FOIL: THICKNESS 35 OR 50µm	PLATING : TIN OR SOLDER 1µm MIN.
3	SUPPORTING TAPE	FLAME RESISTING POLYESTER OR EQUAL	_____

NOTES

1. NO BURR AT EACH PORTION.
2. NO PEELING IN COMMON USE.
3. EITHER KIND1 OR KIND2 OF FFC CAN ACCEPT DIMENSIONAL TOLERANCE a,b,c AND d.

mat'l. code				surface ISO 1302 ✓	tolerance ISO 406 ISO 1101	projection mm	product family 58EF	CODE JP
ltr	ecn no	dr	date	tolerances unless otherwise specified		mm	title RECOMMENDED CABLE (Cat. No. : SFV__R-1/2ST__)	
B				angles	linear		scale X	dwg no 10112793
				dr	enr	chr	appd	sheet 9 of 9
				S. H. Kishida	S. H. Kishida	HYUNASHITA	M. Kato	size A4
				2010-9-14	2010-9-14	2010-9-14	Sept 16/10	type Product Customer Drawing
sheet index	revision sheet							Rev. B



Copyright FCJ.