



Chipsmall Limited consists of a professional team with an average of over 10 year of expertise in the distribution of electronic components. Based in Hongkong, we have already established firm and mutual-benefit business relationships with customers from,Europe,America and south Asia,supplying obsolete and hard-to-find components to meet their specific needs.

With the principle of “Quality Parts,Customers Priority,Honest Operation,and Considerate Service”,our business mainly focus on the distribution of electronic components. Line cards we deal with include Microchip,ALPS,ROHM,Xilinx,Pulse,ON,Everlight and Freescale. Main products comprise IC,Modules,Potentiometer,IC Socket,Relay,Connector.Our parts cover such applications as commercial,industrial, and automotives areas.

We are looking forward to setting up business relationship with you and hope to provide you with the best service and solution. Let us make a better world for our industry!



## Contact us

Tel: +86-755-8981 8866 Fax: +86-755-8427 6832

Email & Skype: info@chipsmall.com Web: www.chipsmall.com

Address: A1208, Overseas Decoration Building, #122 Zhenhua RD., Futian, Shenzhen, China





FCIconnect.com

Copyright FCI.

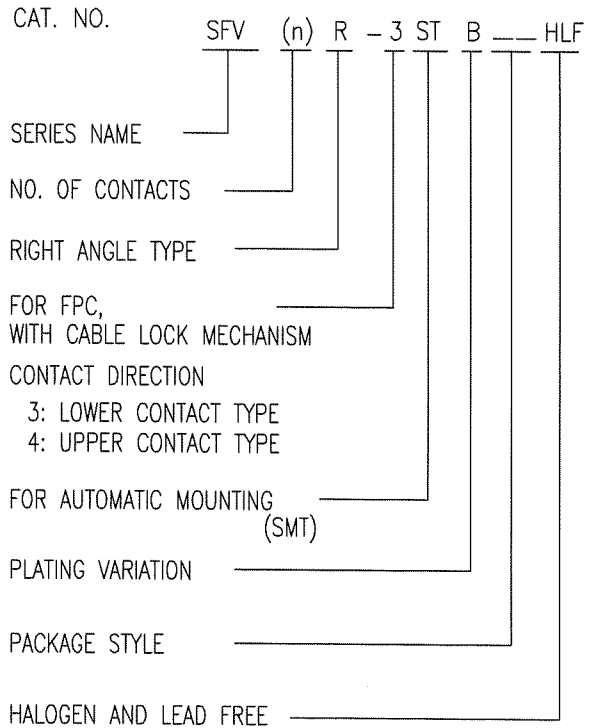
List of "SFV\_\_R-3/4STBE1HLF" customer document

DOCUMENT NO.	LIST
10116954(Sheet1)	DOCUMENT LIST
10116954(Sheet2)	CAT.NO.TABLE FOR 0.5mm CONTACT SPACING CONNECTOR (SFV__R-3/4STB_HLF)
10116954(Sheet3)	CONNECTOR USED FOR FPC WITH 0.5mm CONTACT SPACING (SFV__R-3STB_HLF)
10116954(Sheet4)	CONNECTOR USED FOR FPC WITH 0.5mm CONTACT SPACING (SFV__R-4STB_HLF)
10116954(Sheet5)	CAT.NO.TABLE FOR PLASTIC TAPE PACKAGED 0.5mm CONTACT SPACING CONNECTOR (SFV__R-3/4STBE1HLF)
10116954(Sheet6)	PLASTIC TAPE PACKAGED 0.5mm CONTACT SPACING CONNECTOR (SFV__R-3STBE1HLF)
10116954(Sheet7)	PLASTIC TAPE PACKAGED 0.5mm CONTACT SPACING CONNECTOR (SFV__R-4STBE1HLF)
10116954(Sheet8)	RECOMMENDED CABLE (FPC) (SFV__R-3/4STB_HLF)
GS-12-0783	SPEC.
BJM-SFV102	HANDLING PROCEDURES

mat'l. code				surface ISO 1302 <input checked="" type="checkbox"/>		tolerance ISO 406 <input checked="" type="checkbox"/> ISO 1101		projection 		product family 58EF		CODE JP	
ltr A		ecn no J11-0011		dr S.W.		date 2011-1-14		tolerances unless otherwise specified		title 0.5mm SPACING FPC CONNECTOR DOCUMENT LIST (Cat. No. : SFV__R-3/4STBE1HLF)			
				angles		linear		mm 		scale		$\propto$	
				dr		S. Nishimura		2011-1-14		FCI		dwg no 10116954	
				enrg		S. Nishimura		2011-1-14				sheet 1 of 8 A4	
				chr		N. Yamada		2011-1-14				size	
				appd		M. Uemura		Jan 11				type Product Customer Drawing	
sheet index		revision sheet		A		A		A		A		Rev. A	
		1 2		3		4		5		6		7 8	

CAT. NO. & DIMENSIONS

NO. OF CONTACTS (n)	CAT. NO.	DIMENSIONS (NOTE2)			
		A ± 0.2	B ± 0.2	C ± 0.1	D ± 0.1
4	SFV 4R-3/4STB__HLF	7.5	5.9	1.5	1.6
5	SFV 5R-3/4STB__HLF	8.0	6.4	2.0	2.1
6	SFV 6R-3/4STB__HLF	8.5	6.9	2.5	2.6
7	SFV 7R-3/4STB__HLF	9.0	7.4	3.0	3.1
8	SFV 8R-3/4STB__HLF	9.5	7.9	3.5	3.6
9	SFV 9R-3/4STB__HLF	10.0	8.4	4.0	4.1
10	SFV10R-3/4STB__HLF	10.5	8.9	4.5	4.6
11	SFV11R-3/4STB__HLF	11.0	9.4	5.0	5.1
12	SFV12R-3/4STB__HLF	11.5	9.9	5.5	5.6
13	SFV13R-3/4STB__HLF	12.0	10.4	6.0	6.1
14	SFV14R-3/4STB__HLF	12.5	10.9	6.5	6.6
15	SFV15R-3/4STB__HLF	13.0	11.4	7.0	7.1
16	SFV16R-3/4STB__HLF	13.5	11.9	7.5	7.6
17	SFV17R-3/4STB__HLF	14.0	12.4	8.0	8.1
18	SFV18R-3/4STB__HLF	14.5	12.9	8.5	8.6
19	SFV19R-3/4STB__HLF	15.0	13.4	9.0	9.1
20	SFV20R-3/4STB__HLF	15.5	13.9	9.5	9.6
21	SFV21R-3/4STB__HLF	16.0	14.4	10.0	10.1
22	SFV22R-3/4STB__HLF	16.5	14.9	10.5	10.6
23	SFV23R-3/4STB__HLF	17.0	15.4	11.0	11.1
24	SFV24R-3/4STB__HLF	17.5	15.9	11.5	11.6
25	SFV25R-3/4STB__HLF	18.0	16.4	12.0	12.1
26	SFV26R-3/4STB__HLF	18.5	16.9	12.5	12.6
27	SFV27R-3/4STB__HLF	19.0	17.4	13.0	13.1
28	SFV28R-3/4STB__HLF	19.5	17.9	13.5	13.6
29	SFV29R-3/4STB__HLF	20.0	18.4	14.0	14.1
30	SFV30R-3/4STB__HLF	20.5	18.9	14.5	14.6
31	SFV31R-3/4STB__HLF	21.0	19.4	15.0	15.1
32	SFV32R-3/4STB__HLF	21.5	19.9	15.5	15.6
33	SFV33R-3/4STB__HLF	22.0	20.4	16.0	16.1
34	SFV34R-3/4STB__HLF	22.5	20.9	16.5	16.6
35	SFV35R-3/4STB__HLF	23.0	21.4	17.0	17.1



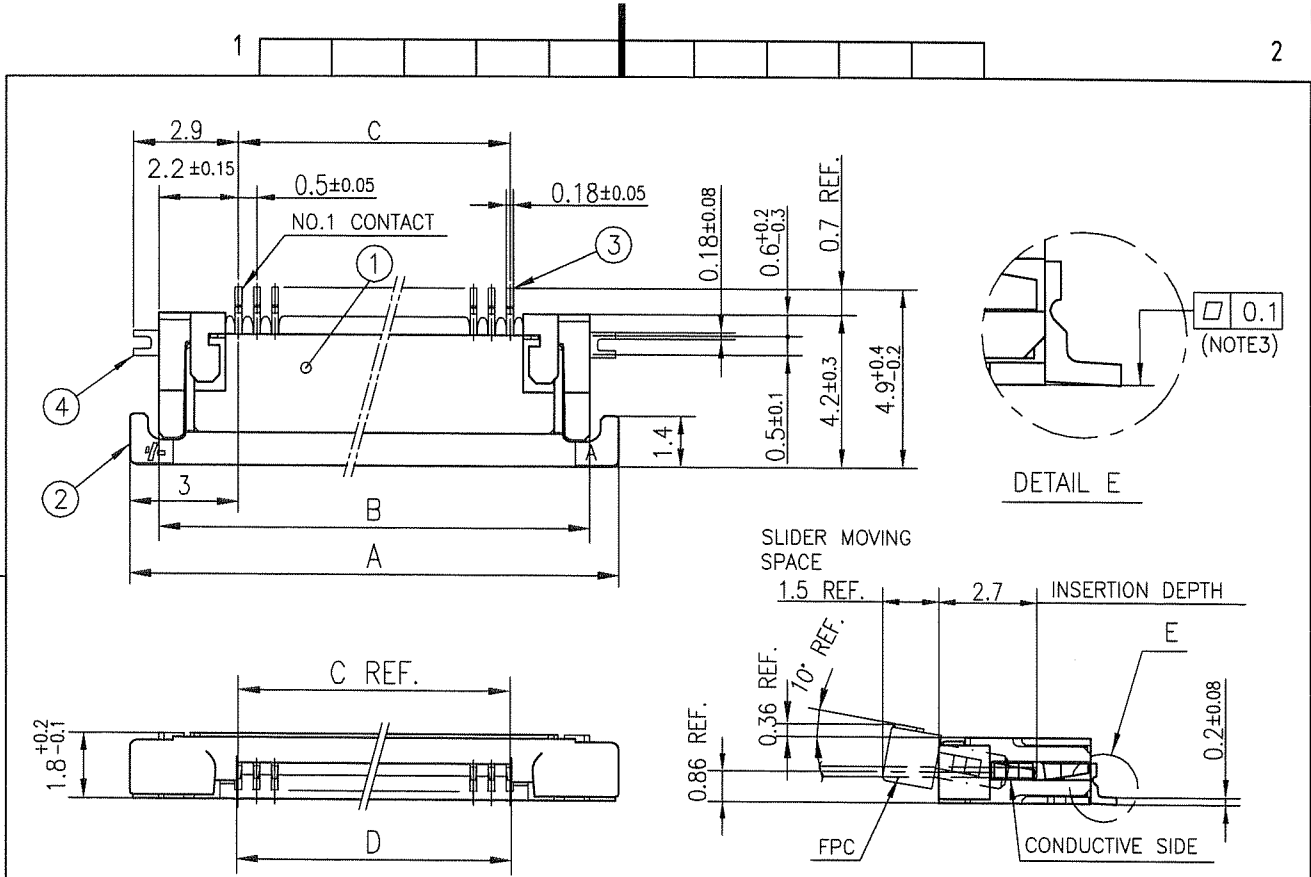
NOTES

1. THIS PRODUCT IS THE CONNECTOR USED FOR FPC AND COPES WITH AUTOMATIC MOUNTING (SMT).
2. SEE PART DRAWINGS FOR DIMENSIONS A~D.
3. THIS PRODUCT IS THE CONNECTOR WITH CABLE LOCK MECHANISM.

FCI connect.com

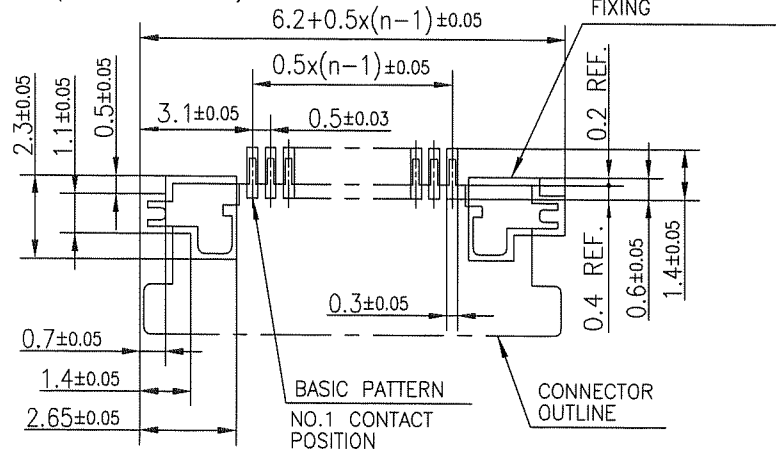
Copyright FCI.

mat'l. code				surface <input checked="" type="checkbox"/> ISO 1302 <input type="checkbox"/> tolerance <input checked="" type="checkbox"/> ISO 406 <input type="checkbox"/> ISO 1101		projection		product family 58EF		CODE JP	
ltr		ecn no		dr		date		title		CAT. NO. TABLE FOR 0.5 mm CONTACT SPACING CONNECTOR (Cat. No. : SFV__R-3/4STB__HLF)	
A								mm		scale $\propto$	
				angles linear				dwg no		sheet 2 of 8 size A4	
				dr		S. Withler 2011-1-14		10116954			
				enrg		S. Withler 2011-1-14		type Product Customer Drawing			
				chr		Y. Sampudia 2011-1-14					
				appd		[Signature] 2011-1-14					
sheet index		revision sheet								Rev. A	



PT. NO.	PARTS NAME	MATERIAL	Q'TY	NOTE
1	HOUSING	13~35pin : LCP RESIN GLASS REINFORCED (UL94V-0)	1	COLOR : BLACK (HALOGEN FREE)
		4~12pin : POLYAMIDE RESIN GLASS REINFORCED (UL94V-0)		
2	SLIDER	PPS RESIN GLASS REINFORCED (UL94V-0)	1	COLOR : GRAY (HALOGEN FREE)
3	CONTACT	PHOSPHOR BRONZE	n	PLATING : GOLD
4	MOUNTING PLATE		2	PLATING : MATTE TIN

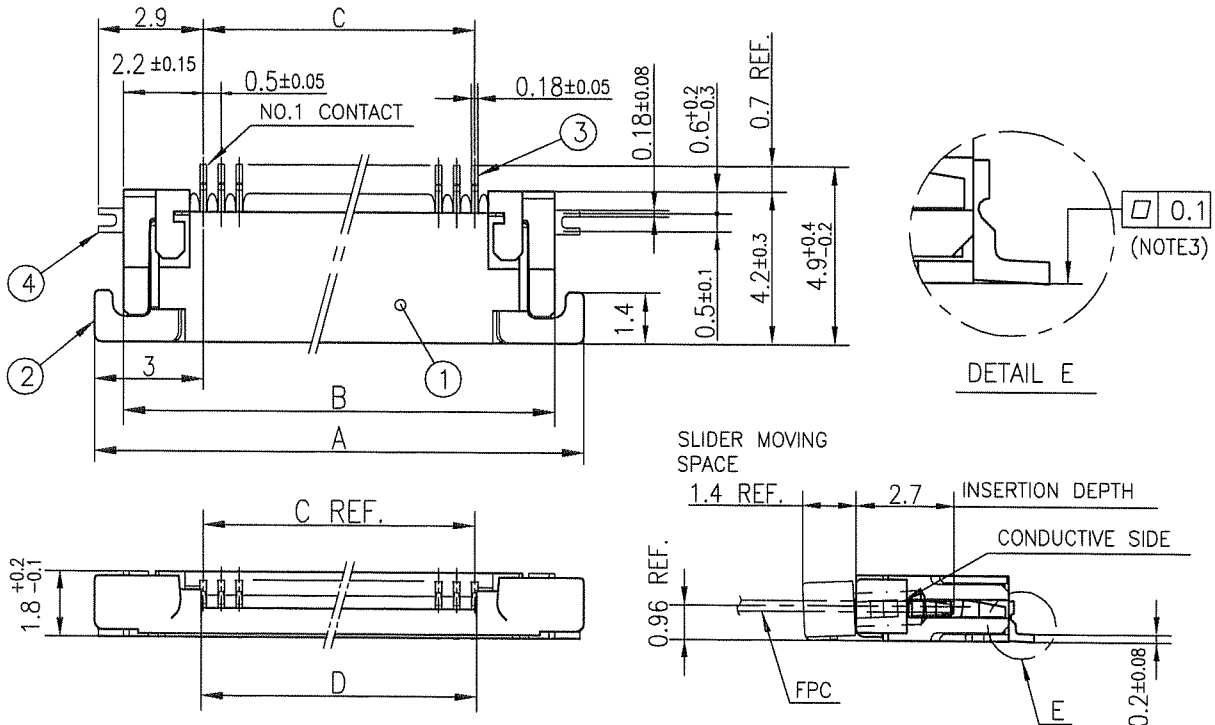
RECOMMENDED PC BOARD LAYOUT (COMPONENT SIDE)



PATTERN FOR MOUNTING PLATE FIXING

- NOTES
1. THIS PRODUCT IS THE CONNECTOR USED FOR FPC AND COPES WITH AUTOMATIC MOUNTING (SMT).
  2. THIS PRODUCT IS LOWER CONTACT TYPE CONNECTOR WITH CABLE LOCK MECHANISM.
  3. FLATNESS OF CONTACT TERMINAL AND MOUNTING PLATE MUST BE WITHIN TOLERANCE IN E PORTION DETAILED DRAWING.
  4. THIS PRODUCT MEETS EUROPEAN UNION DIRECTIVES AND OTHER COUNTRY REGULATIONS AS DESCRIBED IN GS-22-008.
  5. THE HOUSING WILL WITHSTAND EXPOSURE TO 260°C PEAK TEMPERATURE FOR 10 SECONDS IN A REFLOW SOLDERING OVEN.

mat'l. code		surface ISO 1302		tolerance ISO 406		projection		product family 58EF		CODE JP	
ltr		ecn no		dr		date		tolerances unless otherwise specified		title	
A								±0.2		CONNECTOR USED FOR FPC WITH 0.5 mm CONTACT SPACING (Cat. No. : SFV__R-3STB__HLF)	
				angles		linear		mm		scale	
								X		dwg no	
				dr		S. Watanabe 2011-1-14		sheet 3 of 8		size	
				enrg		S. Watanabe 2011-1-14		10116954		A4	
				chr		Y. Yamada 2011-1-14					
				appd		M. Ohta 2011-1-14					
sheet index		revision sheet						type Product Customer Drawing		Rev. A	

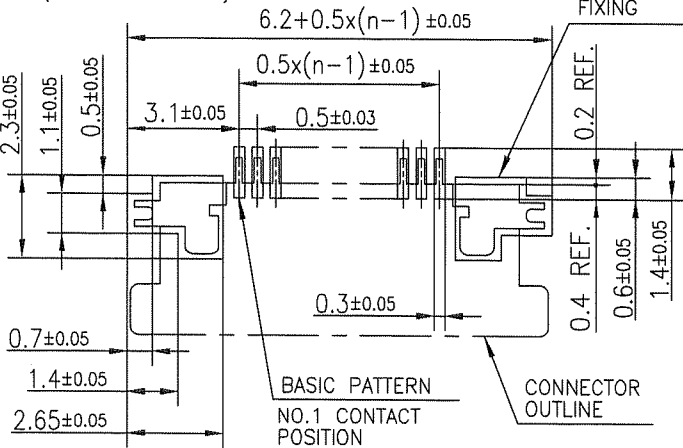


PT. NO.	PARTS NAME	MATERIAL	Q'TY	NOTE
1	HOUSING	13~35pin : LCP RESIN GLASS REINFORCED (UL94V-0)	1	COLOR : BLACK (HALOGEN FREE)
		4~12pin : POLYAMIDE RESIN GLASS REINFORCED (UL94V-0)		
2	SLIDER	PPS RESIN GLASS REINFORCED (UL94V-0)	1	COLOR : GRAY (HALOGEN FREE)
3	CONTACT	PHOSPHOR BRONZE	n	PLATING : GOLD WITH Ni DAM
4	MOUNTING PLATE		2	PLATING : MATTE TIN

n : NO. OF CONTACTS

RECOMMENDED PC BOARD LAYOUT (COMPONENT SIDE)

PATTERN FOR MOUNTING PLATE FIXING



NOTES

1. THIS PRODUCT IS THE CONNECTOR USED FOR FPC AND COPES WITH AUTOMATIC MOUNTING (SMT).
2. THIS PRODUCT IS UPPER CONTACT TYPE CONNECTOR WITH CABLE LOCK MECHANISM.
3. FLATNESS OF CONTACT TERMINAL AND MOUNTING PLATE MUST BE WITHIN TOLERANCE IN E PORTION DETAILED DRAWING.
4. THIS PRODUCT MEETS EUROPEAN UNION DIRECTIVES AND OTHER COUNTRY REGULATIONS AS DESCRIBED IN GS-22-008.
5. THE HOUSING WILL WITHSTAND EXPOSURE TO 260°C PEAK TEMPERATURE FOR 10 SECONDS IN A REFLOW SOLDERING OVEN.

mat'l. code		surface ISO 1302 ✓		tolerance ISO 406 ISO 1101		projection		product family 58EF		CODE JP	
ltr		ecn no		dr		date		title		CONNECTION USED FOR FPC WITH 0.5 mm CONTACT SPACING (Cat. No. : SFV__R-4STB__HLF)	
A								mm		scale	
sheet index		revision sheet		dr		engr		dwg no		sheet 4 of 8 size	
				S. Watabe 2011-1-14		S. Watabe 2011-1-14		10116954		A4	
				chr Y. Yamada 2011-1-14		appd M. Kimura 2011-1-11		type		Product Customer Drawing	
										Rev. A	

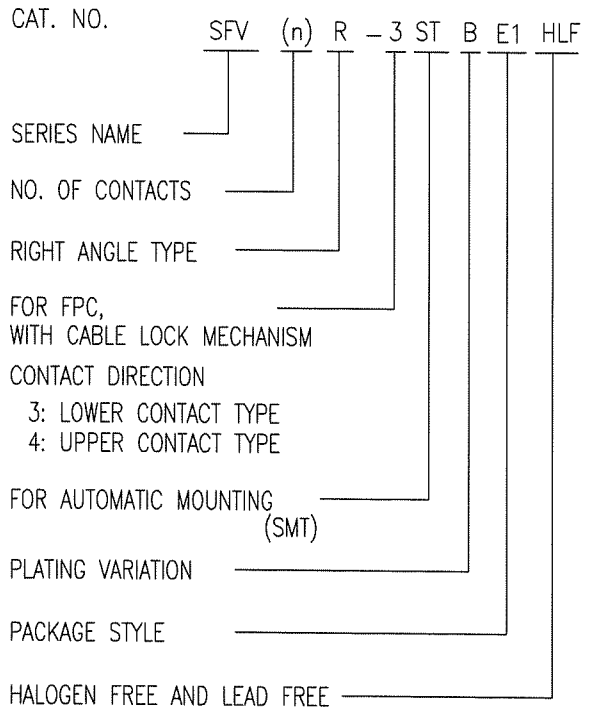


FCIconnect.com

Copyright FCI.

CAT. NO. & DIMENSIONS

NO. OF CONTACTS (n)	CAT. NO.	DIMENSIONS (NOTE3)		
		F ± 5	G ± 0.3	H ± 0.1
4	SFV 4R-3/4STBE1HLF	20.4	16	—
5	SFV 5R-3/4STBE1HLF	20.4	16	—
6	SFV 6R-3/4STBE1HLF	20.4	16	—
7	SFV 7R-3/4STBE1HLF	28.4	24	—
8	SFV 8R-3/4STBE1HLF	28.4	24	—
9	SFV 9R-3/4STBE1HLF	28.4	24	—
10	SFV10R-3/4STBE1HLF	28.4	24	—
11	SFV11R-3/4STBE1HLF	28.4	24	—
12	SFV12R-3/4STBE1HLF	28.4	24	—
13	SFV13R-3/4STBE1HLF	28.4	24	—
14	SFV14R-3/4STBE1HLF	28.4	24	—
15	SFV15R-3/4STBE1HLF	28.4	24	—
16	SFV16R-3/4STBE1HLF	28.4	24	—
17	SFV17R-3/4STBE1HLF	28.4	24	—
18	SFV18R-3/4STBE1HLF	28.4	24	—
19	SFV19R-3/4STBE1HLF	28.4	24	—
20	SFV20R-3/4STBE1HLF	28.4	24	—
21	SFV21R-3/4STBE1HLF	28.4	24	—
22	SFV22R-3/4STBE1HLF	28.4	24	—
23	SFV23R-3/4STBE1HLF	36.4	32	28.4
24	SFV24R-3/4STBE1HLF	36.4	32	28.4
25	SFV25R-3/4STBE1HLF	36.4	32	28.4
26	SFV26R-3/4STBE1HLF	36.4	32	28.4
27	SFV27R-3/4STBE1HLF	36.4	32	28.4
28	SFV28R-3/4STBE1HLF	36.4	32	28.4
29	SFV29R-3/4STBE1HLF	36.4	32	28.4
30	SFV30R-3/4STBE1HLF	36.4	32	28.4
31	SFV31R-3/4STBE1HLF	48.4	44	40.4
32	SFV32R-3/4STBE1HLF	48.4	44	40.4
33	SFV33R-3/4STBE1HLF	48.4	44	40.4
34	SFV34R-3/4STBE1HLF	48.4	44	40.4
35	SFV35R-3/4STBE1HLF	48.4	44	40.4



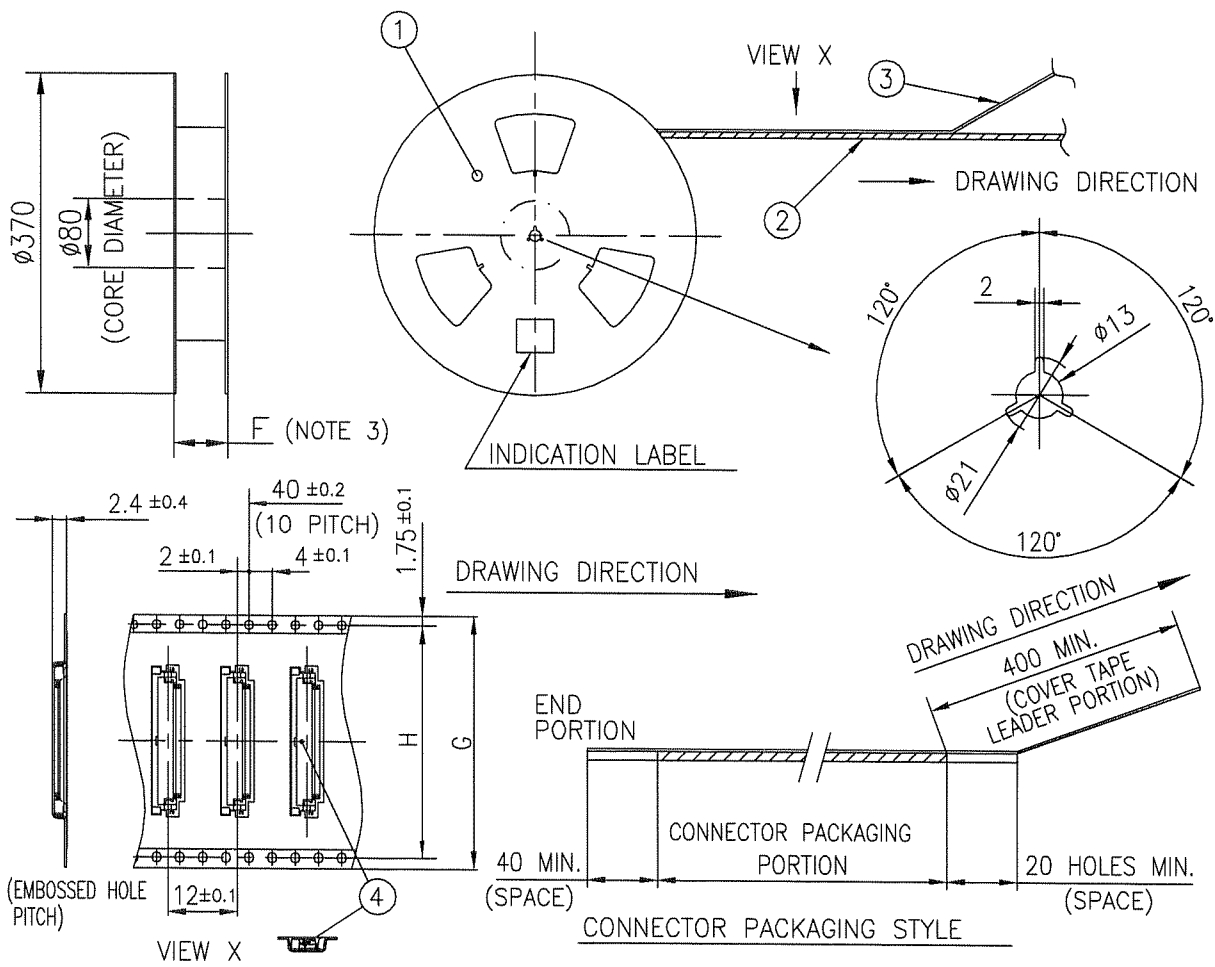
NOTES

1. THIS PRODUCT IS THE CONNECTOR USED FOR FPC AND COPES WITH AUTOMATIC MOUNTING (SMT).
2. THIS CATALOG NO. INDICATES PLASTIC TAPE PACKAGED
3. SEE PART DRAWINGS FOR DIMENSIONS F~H.
4. THIS PRODUCT IS THE CONNECTOR WITH CABLE LOCK MECHANISM.



Copyright FCI.

mat'l. code				surface <input checked="" type="checkbox"/> ISO 1302		tolerance <input checked="" type="checkbox"/> ISO 406 <input type="checkbox"/> ISO 1101		projection		product family 58EF		CODE JP	
ltr ecn no dr date				tolerances unless otherwise specified				mm		title			
A				angles linear		scale $\propto$		CAT. NO. TABLE FOR PLASTIC TAPE PACKAGED 0.5 mm CONTACT SPACING CONNECTOR (Cat. No. : SFV__R-3/4STBE1HLF)					
				dr <i>S. Nataraj</i> 2011-1-14				dwg no		sheet 5 of 8		size	
				enr <i>S. Nataraj</i> 2011-1-14				10116954				A4	
				chr <i>V. Ramadhar</i> 2011-1-14				type Product Customer Drawing					
sheet index		revision sheet										Rev. A	

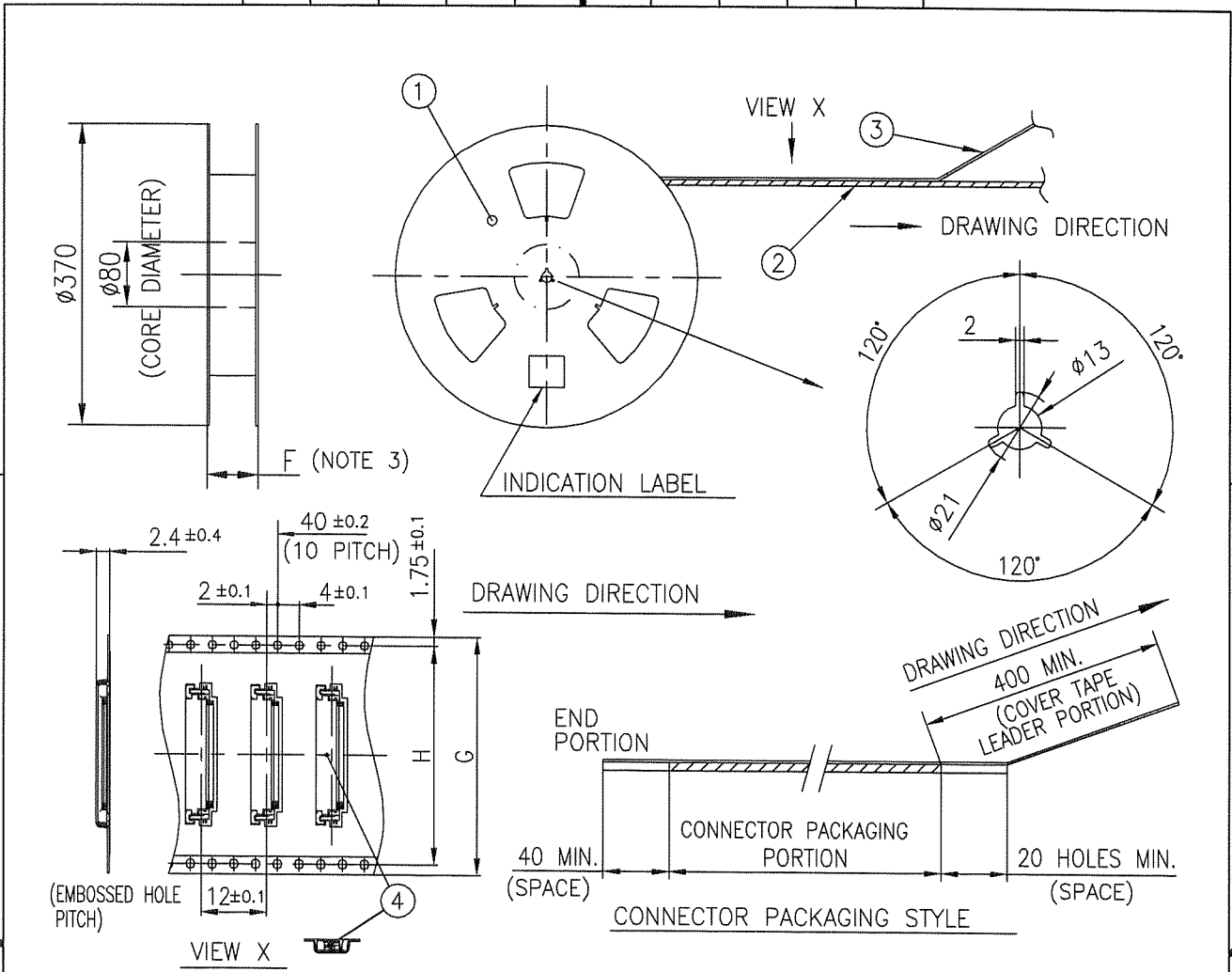


PT. NO.	PARTS NAME	CAT. NO.	MATERIAL	Q'TY	NOTE
1	REEL	_____	CARDBOARD	1	COLOR : WHITE
2	PLASTIC (EMBOSS) TAPE	_____	A-PET	_____	COLOR : TRANSPARENCY
3	COVER	_____	POLYESTER	_____	COLO : TRANSPARENCY
4	CONNECTOR	SFV__R-3STB__HLF	SEE ATTACHED DWG.	3000	LOWER CONTACT TYPE WITH CABLE LOCK MECHANISM

- NOTES
- THIS IS PLASTIC TAPE PACKAGED CONNECTOR USED FOR FPC AND COPES WITH AUTOMATIC MOUNTING (SMT).
  - SEE JIS C 0806 (PACKING OF ELECTRONIC COMPONENTS ON CONTINUOUS TAPES (SURFACE MOUNTING DEVICES)) FOR SHAPE AND DIMENSIONS OF PLASTIC (EMBOSS) TAPE AND REEL.
  - F DIMENSION IS PORTION OF THE CORE.

mat'l. code		surface <input checked="" type="checkbox"/> ISO 1302 <input checked="" type="checkbox"/> ISO 406 <input checked="" type="checkbox"/> ISO 1101		tolerance		projection		product family 58EF		CODE JP	
ltr		ecn no		dr		date		tolerances unless otherwise specified		title	
A								±5		PLASTIC TAPE PACKAGED 0.5 mm CONTACT SPACING CONNECTOR (Cat. No. : SFV__R-3STBE1HLF)	
				angles		linear		mm		dwg no	
				±5'				scale		sheet 6 of 8 size	
				dr		2011-1-14		FCI		10116954 A4	
				enr		2011-1-14				type Product Customer Drawing	
				chr		2011-1-14				Rev. A	
				appd		Jan 11				D	
sheet index		revision sheet									

FCI  
 FCIconnect.com  
 Copyright FCI.



PT. NO.	PARTS NAME	CAT. NO.	MATERIAL	Q'TY	NOTE
1	REEL	_____	CARDBOARD	1	COLOR : WHITE
2	PLASTIC (EMBOSS) TAPE	_____	A-PET	_____	COLOR : TRANSPARENCY
3	COVER	_____	POLYESTER	_____	COLOR : TRANSPARENCY
4	CONNECTOR	SFV__R-4STB__HLF	SEE ATTACHED DWG.	3000	UPPER CONTACT TYPE WITH CABLE LOCK MECHANISM

- NOTES
1. THIS IS PLASTIC TAPE PACKAGED CONNECTOR USED FOR FPC AND COPES WITH AUTOMATIC MOUNTING (SMT).
  2. SEE JIS C 0806 (PACKING OF ELECTRONIC COMPONENTS ON CONTINUOUS TAPES (SURFACE MOUNTING DEVICES)) FOR SHAPE AND DIMENSIONS OF PLASTIC (EMBOSS) TAPE AND REEL.
  3. F DIMENSION IS PORTION OF THE CORE.

mat'l. code		surface <input checked="" type="checkbox"/> ISO 1302 <input checked="" type="checkbox"/> ISO 406 <input checked="" type="checkbox"/> ISO 1101		tolerance		projection		product family		58EF		CODE JP	
ltr		ecn no		dr		date		tolerances, unless otherwise specified		title		PLASTIC TAPE PACKAGED 0.5 mm CONTACT SPACING CONNECTOR (Cat. No. : SFV__R-4STBE1HLF)	
A								angles linear ±5		mm		scale X	
				dr		S. Watanabe 2011-1-14				dwg no		sheet 7 of 8 size	
				enrg		S. Watanabe 2011-1-14				10116954		A4	
				chr		Z. Kamada 2011-1-14							
				appd		D. N. 2011-1-14							
sheet index		revision sheet								type		Product Customer Drawing	
												Rev. A	



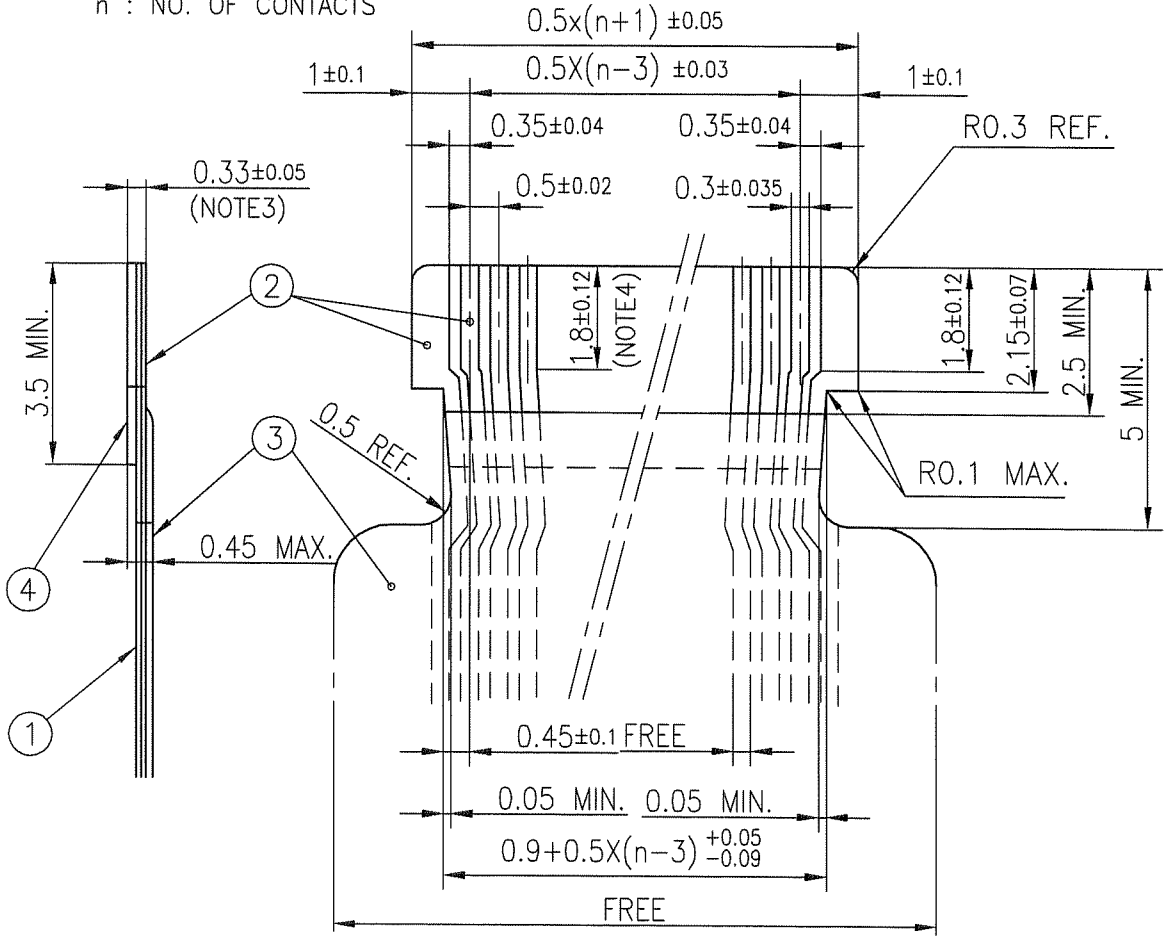
FCconnect.com

Copyright FCJ.



RECOMMENDED CABLE (FPC)

n : NO. OF CONTACTS



PT. NO.	PARTS NAME	MATERIAL	THICKNESS (°m)
1	BASE FILM	POLYIMIDE OR POLYESTER OR EQUAL	25
2	CONDUCTOR	COPPER FOIL(PLATING : GOLD)	35
3	OVERLAY	POLYIMIDE OR POLYESTER OR EQUAL	—
4	SUPPORTING TAPE	POLYESTER OR POLYIMIDE OR EQUAL	188

NOTES

1. NO BURR AT EACH PORTION.
2. NO PEELING IN COMMON USE.
3. TOTAL THICKNESS LIMIT OF EACH MATERIAL (INCLUDING ADHESIVE AGENT) IS SPECIFIED.
4. THIS DIMENSION INDICATES THE RANGE FOR 0.3±0.035 CONDUCTOR WIDTH.

mat'l. code				surface <input checked="" type="checkbox"/> ISO 1302		tolerance <input checked="" type="checkbox"/> ISO 406 <input type="checkbox"/> ISO 1101		projection		product family 58EF		CODE JP	
ltr				ecn no				dr		date			
A													
				tolerances unless otherwise specified				mm		title			
				angles linear				scale $\times$		RECOMMENDED CABLE (Cat. No. : SFV__R-3/4STB__HLF)			
				dr		S. Hattori		2011-1-14		dwg no		sheet 8 of 8 size	
				engr		S. Hattori		2011-1-14		10116954		A4	
				chr		Y. Yamada		2011-1-14		type		Product Customer Drawing	
				appd				TOM (L/1)				Rev. A	
sheet index		revision sheet											



Copyright FCJ.