



Chipsmall Limited consists of a professional team with an average of over 10 year of expertise in the distribution of electronic components. Based in Hongkong, we have already established firm and mutual-benefit business relationships with customers from,Europe,America and south Asia,supplying obsolete and hard-to-find components to meet their specific needs.

With the principle of "Quality Parts,Customers Priority,Honest Operation,and Considerate Service",our business mainly focus on the distribution of electronic components. Line cards we deal with include Microchip,ALPS,ROHM,Xilinx,Pulse,ON,Everlight and Freescale. Main products comprise IC,Modules,Potentiometer,IC Socket,Relay,Connector.Our parts cover such applications as commercial,industrial, and automotives areas.

We are looking forward to setting up business relationship with you and hope to provide you with the best service and solution. Let us make a better world for our industry!



Contact us

Tel: +86-755-8981 8866 Fax: +86-755-8427 6832

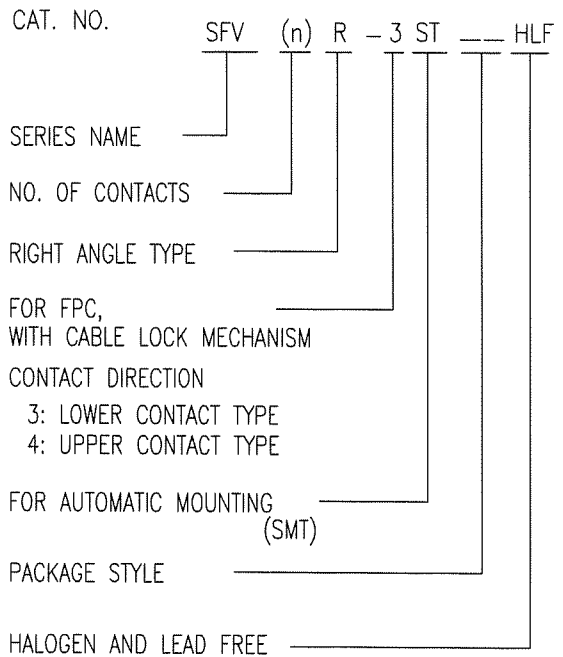
Email & Skype: info@chipsmall.com Web: www.chipsmall.com

Address: A1208, Overseas Decoration Building, #122 Zhenhua RD., Futian, Shenzhen, China



CAT. NO. & DIMENSIONS

| NO. OF CONTACTS (n) | CAT. NO. | DIMENSIONS (NOTE2) | | | |
|---------------------|-------------------|--------------------|---------|---------|---------|
| | | A ± 0.2 | B ± 0.2 | C ± 0.1 | D ± 0.1 |
| 4 | SFV 4R-3/4ST__HLF | 7.5 | 5.9 | 1.5 | 1.6 |
| 5 | SFV 5R-3/4ST__HLF | 8.0 | 6.4 | 2.0 | 2.1 |
| 6 | SFV 6R-3/4ST__HLF | 8.5 | 6.9 | 2.5 | 2.6 |
| 7 | SFV 7R-3/4ST__HLF | 9.0 | 7.4 | 3.0 | 3.1 |
| 8 | SFV 8R-3/4ST__HLF | 9.5 | 7.9 | 3.5 | 3.6 |
| 9 | SFV 9R-3/4ST__HLF | 10.0 | 8.4 | 4.0 | 4.1 |
| 10 | SFV10R-3/4ST__HLF | 10.5 | 8.9 | 4.5 | 4.6 |
| 11 | SFV11R-3/4ST__HLF | 11.0 | 9.4 | 5.0 | 5.1 |
| 12 | SFV12R-3/4ST__HLF | 11.5 | 9.9 | 5.5 | 5.6 |
| 13 | SFV13R-3/4ST__HLF | 12.0 | 10.4 | 6.0 | 6.1 |
| 14 | SFV14R-3/4ST__HLF | 12.5 | 10.9 | 6.5 | 6.6 |
| 15 | SFV15R-3/4ST__HLF | 13.0 | 11.4 | 7.0 | 7.1 |
| 16 | SFV16R-3/4ST__HLF | 13.5 | 11.9 | 7.5 | 7.6 |
| 17 | SFV17R-3/4ST__HLF | 14.0 | 12.4 | 8.0 | 8.1 |
| 18 | SFV18R-3/4ST__HLF | 14.5 | 12.9 | 8.5 | 8.6 |
| 19 | SFV19R-3/4ST__HLF | 15.0 | 13.4 | 9.0 | 9.1 |
| 20 | SFV20R-3/4ST__HLF | 15.5 | 13.9 | 9.5 | 9.6 |
| 21 | SFV21R-3/4ST__HLF | 16.0 | 14.4 | 10.0 | 10.1 |
| 22 | SFV22R-3/4ST__HLF | 16.5 | 14.9 | 10.5 | 10.6 |
| 23 | SFV23R-3/4ST__HLF | 17.0 | 15.4 | 11.0 | 11.1 |
| 24 | SFV24R-3/4ST__HLF | 17.5 | 15.9 | 11.5 | 11.6 |
| 25 | SFV25R-3/4ST__HLF | 18.0 | 16.4 | 12.0 | 12.1 |
| 26 | SFV26R-3/4ST__HLF | 18.5 | 16.9 | 12.5 | 12.6 |
| 27 | SFV27R-3/4ST__HLF | 19.0 | 17.4 | 13.0 | 13.1 |
| 28 | SFV28R-3/4ST__HLF | 19.5 | 17.9 | 13.5 | 13.6 |
| 29 | SFV29R-3/4ST__HLF | 20.0 | 18.4 | 14.0 | 14.1 |
| 30 | SFV30R-3/4ST__HLF | 20.5 | 18.9 | 14.5 | 14.6 |
| 31 | SFV31R-3/4ST__HLF | 21.0 | 19.4 | 15.0 | 15.1 |
| 32 | SFV32R-3/4ST__HLF | 21.5 | 19.9 | 15.5 | 15.6 |
| 33 | SFV33R-3/4ST__HLF | 22.0 | 20.4 | 16.0 | 16.1 |
| 34 | SFV34R-3/4ST__HLF | 22.5 | 20.9 | 16.5 | 16.6 |
| 35 | SFV35R-3/4ST__HLF | 23.0 | 21.4 | 17.0 | 17.1 |



NOTES

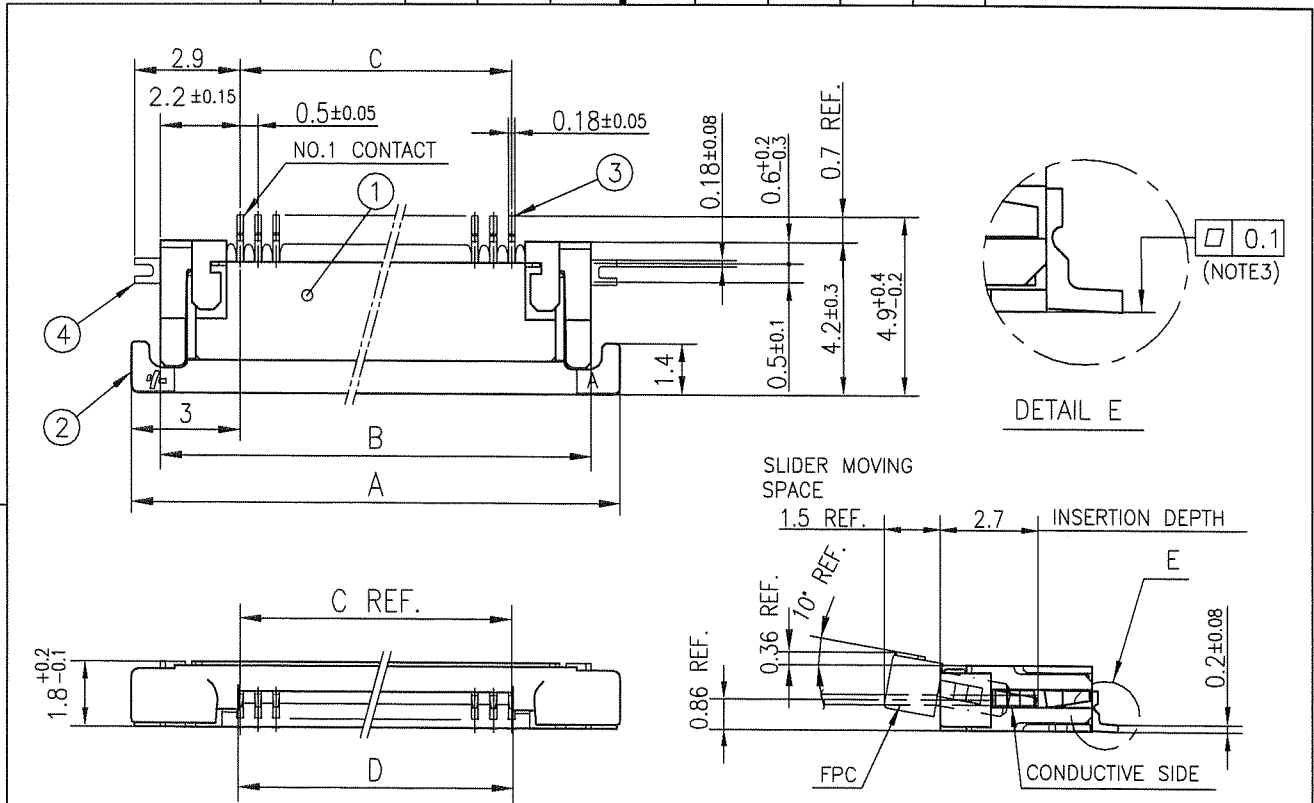
1. THIS PRODUCT IS THE CONNECTOR USED FOR FPC AND COPES WITH AUTOMATIC MOUNTING (SMT).
2. SEE PART DRAWINGS FOR DIMENSIONS A~D.
3. THIS PRODUCT IS THE CONNECTOR WITH CABLE LOCK MECHANISM.



FCIconnect.com

Copyright FCI.

| | | | | | | | | | | | |
|-------------|--|----------------|--|---|--|------------|--|---------------------------------------|--|--|--|
| mat'l. code | | | | surface ISO 1302 <input checked="" type="checkbox"/> tolerance ISO 406 <input checked="" type="checkbox"/> ISO 1101 | | projection | | product family 58EF | | CODE JP | |
| ltr | | ecn no | | dr | | date | | tolerances unless otherwise specified | | title | |
| A | | | | | | | | angles linear | | CAT. NO. TABLE FOR 0.5 mm CONTACT SPACING CONNECTOR (Cat. No. : SFV__R-3/4ST__HLF) | |
| | | | | | | | | mm | | scale X | |
| | | | | dr | | 2011-2-10 | | FCI | | dwg no sheet 2 of 8 size | |
| | | | | enrg | | 2011-2-10 | | | | 10117319 A4 | |
| | | | | chr | | 2011-2-10 | | | | | |
| | | | | appd | | Feb 10 11 | | | | | |
| sheet index | | revision sheet | | | | | | | | type Product Customer Drawing | |
| | | | | | | | | | | Rev. A | |

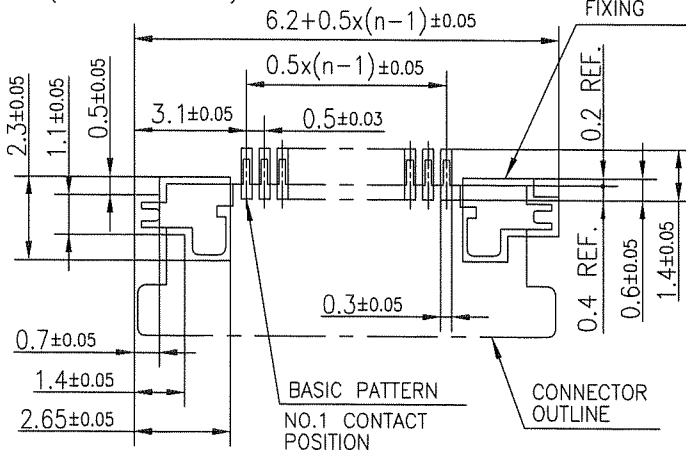


| PT. NO. | PARTS NAME | MATERIAL | Q'TY | NOTE |
|---------|----------------|--|------|--|
| 1 | HOUSING | 13~35pin : LCP RESIN GLASS REINFORCED (UL94V-0) | 1 | COLOR : BLACK (HALOGEN FREE) |
| | | 4~12pin : POLYAMIDE RESIN GLASS REINFORCED (UL94V-0) | | |
| 2 | SLIDER | PPS RESIN GLASS REINFORCED (UL94V-0) | 1 | COLOR : GRAY (HALOGEN FREE) |
| 3 | CONTACT | PHOSPHOR BRONZE | n | PLATING : MATTE PURE TIN Ni UNDER PLATED (LEAD FREE) |
| 4 | MOUNTING PLATE | | 2 | |

RECOMMENDED PC BOARD LAYOUT
(COMPONENT SIDE)

PATTERN FOR
MOUNTING PLATE
FIXING

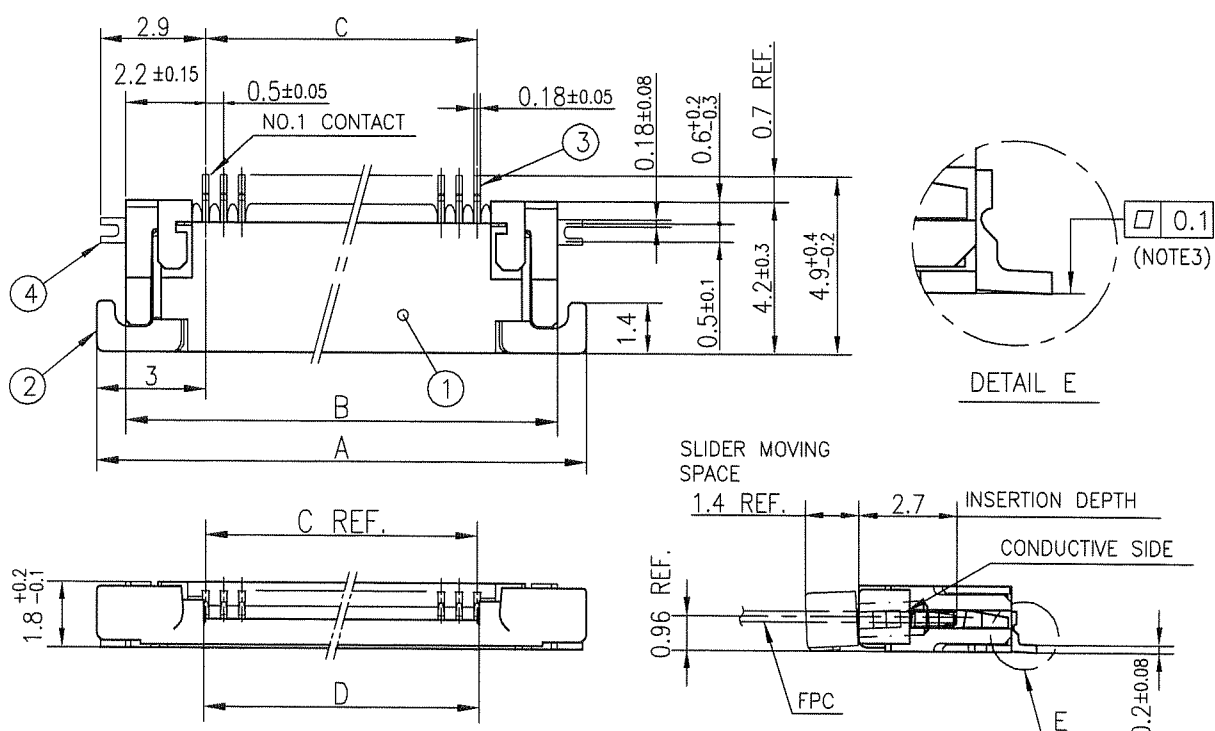
n : NO. OF CONTACTS



NOTES

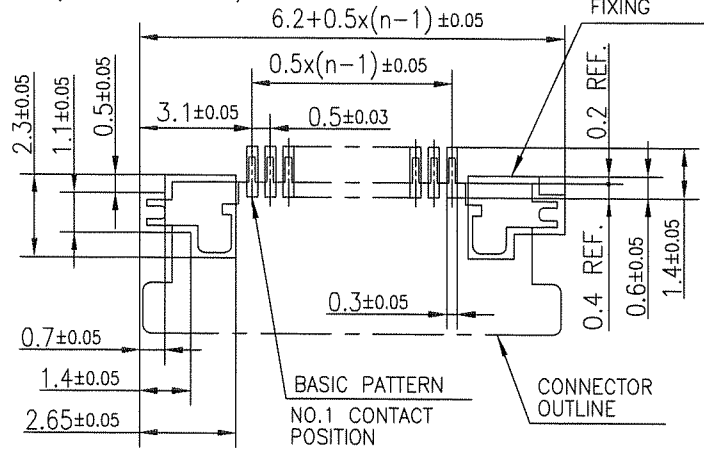
1. THIS PRODUCT IS THE CONNECTOR USED FOR FPC AND COPES WITH AUTOMATIC MOUNTING (SMT).
2. THIS PRODUCT IS LOWER CONTACT TYPE CONNECTOR WITH CABLE LOCK MECHANISM.
3. FLATNESS OF CONTACT TERMINAL AND MOUNTING PLATE MUST BE WITHIN TOLERANCE IN E PORTION DETAILED DRAWING.
4. THIS PRODUCT MEETS EUROPEAN UNION DIRECTIVES AND OTHER COUNTRY REGULATIONS AS DESCRIBED IN GS-22-008.
5. THE HOUSING WILL WITHSTAND EXPOSURE TO 260°C PEAK TEMPERATURE FOR 10 SECONDS IN A REFLOW SOLDERING OVEN.

| | | | | | | | | | | | |
|-------------|--|--------------------|--|----------------------------|--|------------|--|-------------------------------|--|--|--|
| mat'l. code | | surface ISO 1302 ✓ | | tolerance ISO 406 ISO 1101 | | projection | | product family 58EF | | CODE JP | |
| ltr A | | ecn no | | dr | | date | | title | | CONNECTION USED FOR FPC WITH 0.5 mm CONTACT SPACING (Cat. No. : SFV__R-3ST__HLF) | |
| angles | | linear | | ±0.2 | | mm | | scale X | | dwg no 10117319 | |
| dr | | enr | | chr | | appd | | sheet 3 of 8 | | size A4 | |
| sheet index | | revision sheet | | | | | | type Product Customer Drawing | | Rev. A | |



| PT. NO. | PARTS NAME | MATERIAL | Q'TY | NOTE |
|---------|----------------|--|------|--|
| 1 | HOUSING | 13~35pin : LCP RESIN GLASS REINFORCED (UL94V-0) | 1 | COLOR : BLACK (HALOGEN FREE) |
| | | 4~12pin : POLYAMIDE RESIN GLASS REINFORCED (UL94V-0) | | |
| 2 | SLIDER | PPS RESIN GLASS REINFORCED (UL94V-0) | 1 | COLOR : GRAY (HALOGEN FREE) |
| 3 | CONTACT | PHOSPHOR BRONZE | n | PLATING : MATTE PURE TIN Ni UNDER PLATED (LEAD FREE) |
| 4 | MOUNTING PLATE | | 2 | |

RECOMMENDED PC BOARD LAYOUT
(COMPONENT SIDE)



n : NO. OF CONTACTS

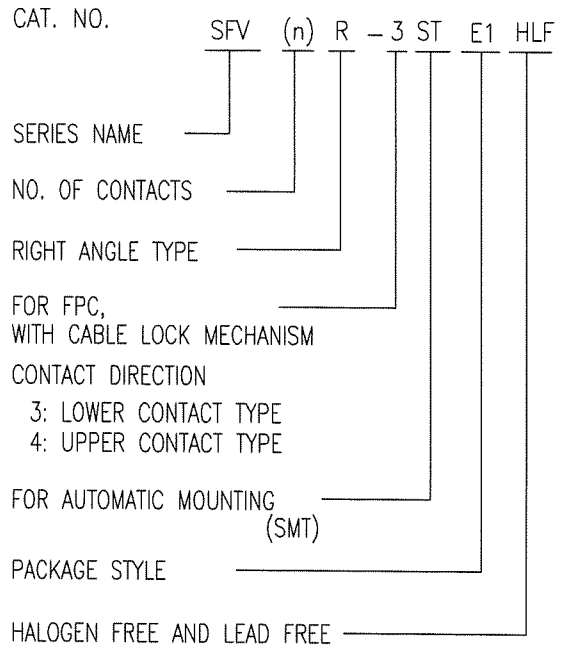
NOTES

- THIS PRODUCT IS THE CONNECTOR USED FOR FPC AND COPES WITH AUTOMATIC MOUNTING (SMT).
- THIS PRODUCT IS UPPER CONTACT TYPE CONNECTOR WITH CABLE LOCK MECHANISM.
- FLATNESS OF CONTACT TERMINAL AND MOUNTING PLATE MUST BE WITHIN TOLERANCE IN E PORTION DETAILED DRAWING.
- THIS PRODUCT MEETS EUROPEAN UNION DIRECTIVES AND OTHER COUNTRY REGULATIONS AS DESCRIBED IN GS-22-008.
- THE HOUSING WILL WITHSTAND EXPOSURE TO 260°C PEAK TEMPERATURE FOR 10 SECONDS IN A REFLOW SOLDERING OVEN.

| | | | | | | | | | | | |
|-------------|--------|--------------------|------|---------------------------------------|-------------------|------------|--|---|--|-------------------|--|
| mat'l. code | | surface ISO 1302 ✓ | | tolerance ISO 406 ISO 1101 | | projection | | product family 58EF | | CODE JP | |
| ltr | ecn no | dr | date | tolerances unless otherwise specified | | mm | | title | | | |
| A | | | | angles | linear ±0.2 | scale X | | CONNECTOR USED FOR FPC WITH 0.5 mm CONTACT SPACING (Cat. No. : SFV__R-4ST__HLF) | | | |
| sheet index | | revision sheet | | dr | <i>S. Nishida</i> | 2011-2-10 | | dwg no | | sheet 4 of 8 size | |
| | | | | enrg | <i>S. Nishida</i> | 2011-2-10 | | 10117319 | | A4 | |
| | | | | chr | <i>Y. Kamada</i> | 2011-2-10 | | Product Customer Drawing | | | |
| | | | | appd | <i>M. Iwano</i> | Feb/11 | | | | | |

CAT. NO. & DIMENSIONS

| NO. OF CONTACTS (n) | CAT. NO. | DIMENSIONS (NOTE3) | | |
|---------------------|-------------------|--------------------|---------|---------|
| | | F ± 5 | G ± 0.3 | H ± 0.1 |
| 4 | SFV 4R-3/4STE1HLF | 20.4 | 16 | — |
| 5 | SFV 5R-3/4STE1HLF | 20.4 | 16 | — |
| 6 | SFV 6R-3/4STE1HLF | 20.4 | 16 | — |
| 7 | SFV 7R-3/4STE1HLF | 28.4 | 24 | — |
| 8 | SFV 8R-3/4STE1HLF | 28.4 | 24 | — |
| 9 | SFV 9R-3/4STE1HLF | 28.4 | 24 | — |
| 10 | SFV10R-3/4STE1HLF | 28.4 | 24 | — |
| 11 | SFV11R-3/4STE1HLF | 28.4 | 24 | — |
| 12 | SFV12R-3/4STE1HLF | 28.4 | 24 | — |
| 13 | SFV13R-3/4STE1HLF | 28.4 | 24 | — |
| 14 | SFV14R-3/4STE1HLF | 28.4 | 24 | — |
| 15 | SFV15R-3/4STE1HLF | 28.4 | 24 | — |
| 16 | SFV16R-3/4STE1HLF | 28.4 | 24 | — |
| 17 | SFV17R-3/4STE1HLF | 28.4 | 24 | — |
| 18 | SFV18R-3/4STE1HLF | 28.4 | 24 | — |
| 19 | SFV19R-3/4STE1HLF | 28.4 | 24 | — |
| 20 | SFV20R-3/4STE1HLF | 28.4 | 24 | — |
| 21 | SFV21R-3/4STE1HLF | 28.4 | 24 | — |
| 22 | SFV22R-3/4STE1HLF | 28.4 | 24 | — |
| 23 | SFV23R-3/4STE1HLF | 36.4 | 32 | 28.4 |
| 24 | SFV24R-3/4STE1HLF | 36.4 | 32 | 28.4 |
| 25 | SFV25R-3/4STE1HLF | 36.4 | 32 | 28.4 |
| 26 | SFV26R-3/4STE1HLF | 36.4 | 32 | 28.4 |
| 27 | SFV27R-3/4STE1HLF | 36.4 | 32 | 28.4 |
| 28 | SFV28R-3/4STE1HLF | 36.4 | 32 | 28.4 |
| 29 | SFV29R-3/4STE1HLF | 36.4 | 32 | 28.4 |
| 30 | SFV30R-3/4STE1HLF | 36.4 | 32 | 28.4 |
| 31 | SFV31R-3/4STE1HLF | 48.4 | 44 | 40.4 |
| 32 | SFV32R-3/4STE1HLF | 48.4 | 44 | 40.4 |
| 33 | SFV33R-3/4STE1HLF | 48.4 | 44 | 40.4 |
| 34 | SFV34R-3/4STE1HLF | 48.4 | 44 | 40.4 |
| 35 | SFV35R-3/4STE1HLF | 48.4 | 44 | 40.4 |



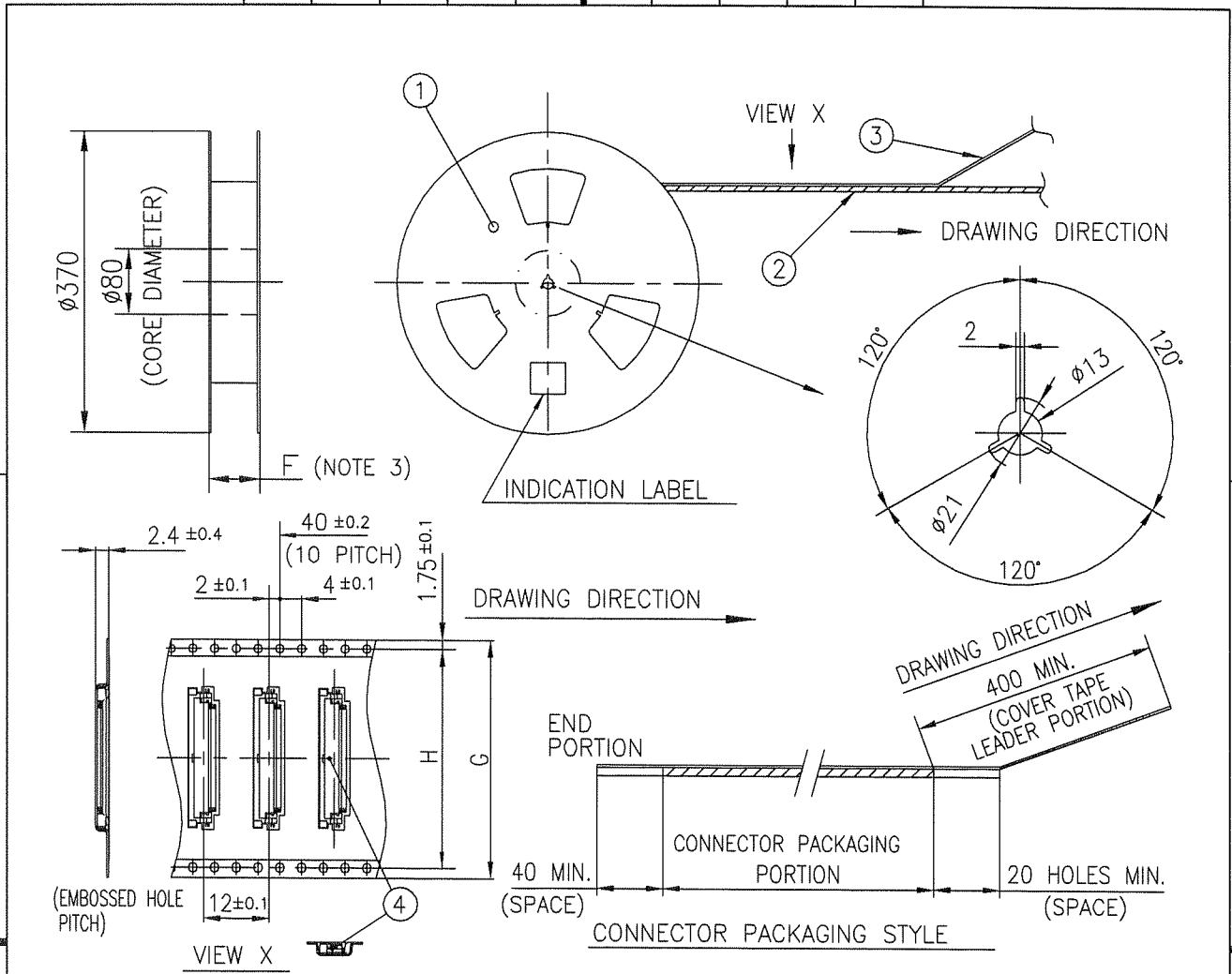
NOTES

1. THIS PRODUCT IS THE CONNECTOR USED FOR FPC AND COPES WITH AUTOMATIC MOUNTING (SMT).
2. THIS CATALOG NO. INDICATES PLASTIC TAPE PACKAGED
3. SEE PART DRAWINGS FOR DIMENSIONS F~H.
4. THIS PRODUCT IS THE CONNECTOR WITH CABLE LOCK MECHANISM.



Copyright FCI.

| | | | | | | | | | | | | | |
|---------------------|--|----------------|--|--|--|---|--|-----------------|--|--|--|-------------------|--|
| mat'l. code | | | | surface ISO 1302 <input checked="" type="checkbox"/> | | tolerance ISO 406 <input checked="" type="checkbox"/> | | projection | | product family 58EF | | CODE JP | |
| litr ecn no dr date | | | | tolerances unless otherwise specified | | | | mm | | title | | | |
| A | | | | angles linear | | | | scale \propto | | CAT. NO. TABLE FOR PLASTIC TAPE PACKAGED 0.5 mm CONTACT SPACING CONNECTOR (Cat. No. : SFV__R-3/4STE1HLF) | | | |
| | | | | dr | | 2011-2-10 | | FCI | | dwg no | | sheet 5 of 8 size | |
| | | | | enrg | | 2011-2-10 | | | | 10117319 | | A4 | |
| | | | | chr | | 2011-2-10 | | | | type Product Customer Drawing | | | |
| sheet index | | revision sheet | | | | | | | | | | Rev. A | |



| PT. NO. | PARTS NAME | CAT. NO. | MATERIAL | Q'TY | NOTE |
|---------|-----------------------|----------------|-------------------|------|--|
| 1 | REEL | — | CARDBOARD | 1 | COLOR : WHITE |
| 2 | PLASTIC (EMBOSS) TAPE | — | A-PET | — | COLOR : TRANSPARENCY |
| 3 | COVER | — | POLYESTER | — | COLO : TRANSPARENCY |
| 4 | CONNECTOR | SFV__R-3ST_HLF | SEE ATTACHED DWG. | 3000 | LOWER CONTACT TYPE WITH CABLE LOCK MECHANISM |

NOTES

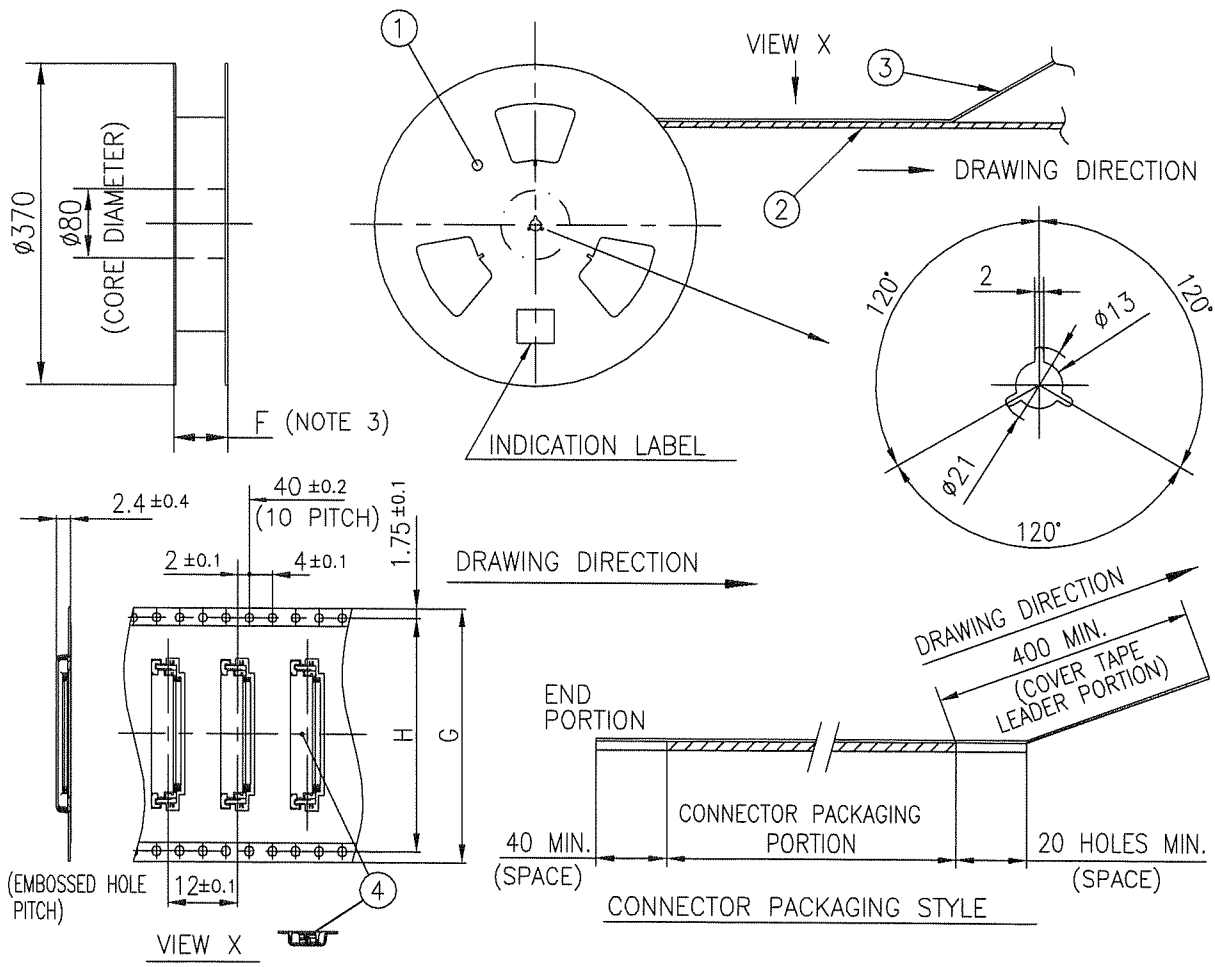
1. THIS IS PLASTIC TAPE PACKAGED CONNECTOR USED FOR FPC AND COPES WITH AUTOMATIC MOUNTING (SMT).
2. SEE JIS C 0806 (PACKING OF ELECTRONIC COMPONENTS ON CONTINUOUS TAPES (SURFACE MOUNTING DEVICES)) FOR SHAPE AND DIMENSIONS OF PLASTIC (EMBOSS) TAPE AND REEL.
3. F DIMENSION IS PORTION OF THE CORE.

| | | | | | | | | | | | |
|-------------|--------|--------------------|------|----------------------------|---------------------------------------|------------|---------|---------------------|---|---------|--|
| mat'l. code | | surface ISO 1302 ✓ | | tolerance ISO 406 ISO 1101 | | projection | | product family 58EF | | CODE JP | |
| ltr | ecn no | dr | date | | tolerances unless otherwise specified | | mm | | title | | |
| A | | | | | angles linear ±5 | | mm | | PLASTIC TAPE PACKAGED 0.5 mm CONTACT SPACING CONNECTOR (Cat. No. : SFV__R-3STE1HLF) | | |
| | | | | | ±5' | | scale X | | dwg no sheet 6 of 8 size | | |
| | | | dr | | S. Nishida 2011-2-10 | | FCJ | | 10117319 A4 | | |
| | | | enr | | S. Nishida 2011-2-10 | | | | type Product Customer Drawing | | |
| | | | chr | | Y. Yamada 2011-2-10 | | | | Rev. A | | |
| | | | appd | | M. Nishida Feb 10 11 | | | | | | |
| sheet index | | revision sheet | | | | | | | | | |



FCIconnect.com

Copyright FCI.



| PT. NO. | PARTS NAME | CAT. NO. | MATERIAL | Q'TY | NOTE |
|---------|-----------------------|-----------------|-------------------|------|--|
| 1 | REEL | --- | CARDBOARD | 1 | COLOR : WHITE |
| 2 | PLASTIC (EMBOSS) TAPE | --- | A-PET | --- | COLOR : TRANSPARENCY |
| 3 | COVER | --- | POLYESTER | --- | COLOR : TRANSPARENCY |
| 4 | CONNECTOR | SFV__R-4ST__HLF | SEE ATTACHED DWG. | 3000 | UPPER CONTACT TYPE WITH CABLE LOCK MECHANISM |

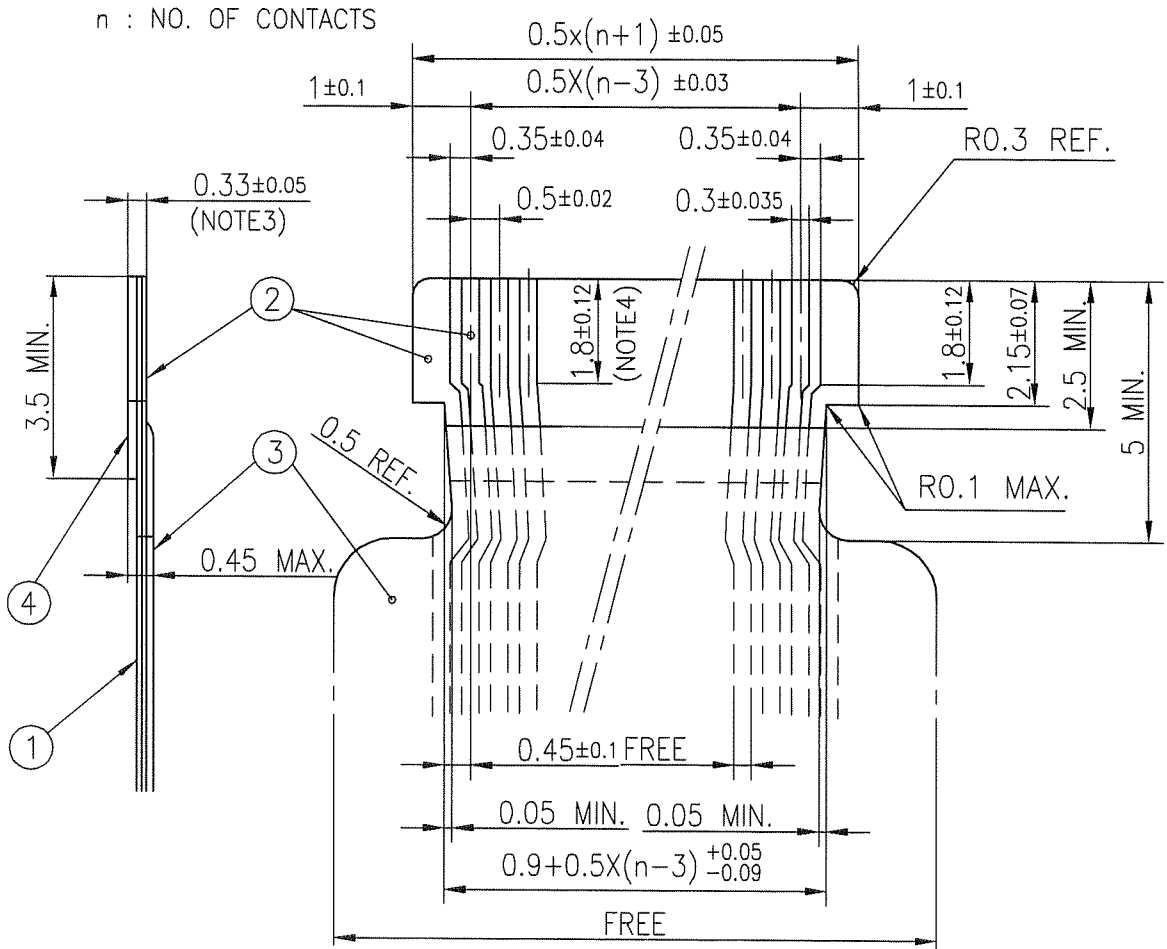
- NOTES
- THIS IS PLASTIC TAPE PACKAGED CONNECTOR USED FOR FPC AND COPES WITH AUTOMATIC MOUNTING (SMT).
 - SEE JIS C 0806 (PACKING OF ELECTRONIC COMPONENTS ON CONTINUOUS TAPES (SURFACE MOUNTING DEVICES)) FOR SHAPE AND DIMENSIONS OF PLASTIC (EMBOSS) TAPE AND REEL.
 - F DIMENSION IS PORTION OF THE CORE.

| | | | | | | | | | | | |
|-------------|--|---|--|----------------------------------|--|----------------|--|--|--|----------------------------------|--|
| mat'l. code | | surface ISO 1302 <input checked="" type="checkbox"/> ISO 406 ISO 1101 | | tolerance ISO 406 ISO 1101 | | projection | | product family 58EF | | CODE JP | |
| ltr | | ecn no | | dr | | date | | title PLASTIC TAPE PACKAGED 0.5 mm CONTACT SPACING CONNECTOR (Cat. No. : SFV__R-4STE1HLF) | | dwg no 10117319 | |
| A | | | | | | | | sheet 7 of 8 | | size A4 | |
| | | | | angles linear ±5' | | mm | | scale \times | | type Product Customer Drawing | |
| | | dr | | S. Nishida | | 2011-2-10 | | | | Rev. A | |
| | | enr | | S. Nishida | | 2011-2-10 | | | | | |
| | | chr | | Y. Kamada | | 2011-2-10 | | | | | |
| | | appd | | M. Ueda | | Feb 10/11 | | | | | |
| sheet index | | revision sheet | | | | | | | | | |

FCJ
FCIconnect.com

Copyright FCI.

RECOMMENDED CABLE (FPC)



| PT. NO. | PARTS NAME | MATERIAL | THICKNESS (um) |
|---------|-----------------|---|----------------|
| 1 | BASE FILM | POLYIMIDE OR POLYESTER OR EQUAL | 25 |
| 2 | CONDUCTOR | COPPER FOIL(PLATING : TIN or SOLDER 1um min.) | 35 |
| 3 | OVERLAY | POLYIMIDE OR POLYESTER OR EQUAL | — |
| 4 | SUPPORTING TAPE | POLYESTER OR POLYIMIDE OR EQUAL | 188 |

NOTES

1. NO BURR AT EACH PORTION.
2. NO PEELING IN COMMON USE.
3. TOTAL THICKNESS LIMIT OF EACH MATERIAL (INCLUDING ADHESIVE AGENT) IS SPECIFIED.
4. THIS DIMENSION INDICATES THE RANGE FOR 0.3±0.035 CONDUCTOR WIDTH.

| | | | | | | |
|-------------|----------------|---|-------------|------------|--|---------|
| mat'l. code | | surface ISO 1302 <input checked="" type="checkbox"/> tolerance ISO 406 <input checked="" type="checkbox"/> ISO 1101 | | projection | product family 58EF | CODE JP |
| ltr | ecn no | dr | date | mm | title | |
| A | | | | | RECOMMENDED CABLE (Cat. No. : SFV__R-3/4STB__HLF) | |
| | | angles | linear | scale X | dwg no sheet 8 of 8 size | |
| | | dr | 2011-2-10 | | 10117319 A4 | |
| | | enr | 2011-2-10 | | type Product Customer Drawing | |
| | | chr | 2011-2-10 | | | |
| | | appd | Feb 10 2011 | | | |
| sheet index | revision sheet | | | | | Rev. A |