



Chipsmall Limited consists of a professional team with an average of over 10 year of expertise in the distribution of electronic components. Based in Hongkong, we have already established firm and mutual-benefit business relationships with customers from,Europe,America and south Asia,supplying obsolete and hard-to-find components to meet their specific needs.

With the principle of “Quality Parts,Customers Priority,Honest Operation,and Considerate Service”,our business mainly focus on the distribution of electronic components. Line cards we deal with include Microchip,ALPS,ROHM,Xilinx,Pulse,ON,Everlight and Freescale. Main products comprise IC,Modules,Potentiometer,IC Socket,Relay,Connector.Our parts cover such applications as commercial,industrial, and automotives areas.

We are looking forward to setting up business relationship with you and hope to provide you with the best service and solution. Let us make a better world for our industry!



Contact us

Tel: +86-755-8981 8866 Fax: +86-755-8427 6832

Email & Skype: info@chipsmall.com Web: www.chipsmall.com

Address: A1208, Overseas Decoration Building, #122 Zhenhua RD., Futian, Shenzhen, China



List of "SFW__R-3/4STE5LF" customer document

DOCUMENT NO.	LIST
10102592(SHEET1)	DOCUMENT LIST
10102592(SHEET2)	CAT. NO. TABLE FOR 1mm SPACING SMT CONNECTOR (SFW__R-3/4ST__LF)
10102592(SHEET3)	1mm SPACING SMT CONNECTOR (SFW__R-3ST__LF)
10102592(SHEET4)	1mm SPACING SMT CONNECTOR (SFW__R-4ST__LF)
10102592(SHEET5)	CAT. NO. TABLE FOR PLASTIC TAPE PACKAGED 1mm SPACING SMT CONNECTOR (SFW__R-3/4STE5LF)
10102592(SHEET6)	PLASTIC TAPE PACKAGED 1mm SPACING SMT CONNECTOR (SFW__R-3STE5LF)
10102592(SHEET7)	PLASTIC TAPE PACKAGED 1mm SPACING SMT CONNECTOR (SFW__R-4STE5LF)
10102592(SHEET8)	RECOMMENDED CABLE (FPC) (SFW__R-3/4ST__)
10102592(SHEET9)	RECOMMENDED CABLE (FFC) (SFW__R-3/4ST__)
SC-SFW11	PRODUCT SPECIFICATION
GS-20-130	HANDLING PROCEDURES



FCIconnect.com

Copyright FCI.

mat'l. code				surface 58 <input checked="" type="checkbox"/> tolerance ISO 406		projection		product family 58RF		CODE JP	
ltr ecn no dr date				tolerances unless otherwise specified		mm		title			
A S09-0194 DGOH 09-06-08				angles linear		scale X		1mm SPACING SMT CONNECTOR DOCUMENT LIST			
B J09-0380 M.Y 2009-10-27								(Cat. No. : SFW__R-3/4STE5LF)			
				dr <i>M. YAMASHITA</i> 2009-10-27				dwg no sheet 1 of 9		size	
				enr <i>M. YAMASHITA</i> 2009-10-27				10102592		A4	
				chr <i>P. Wick</i> 2007-10-27				type Product Customer Drawing			
				appd <i>J. Deland</i> 2009-10-27							
sheet index	revision sheet	B 1	B 2	B 3	B 4	B 5	B 6	B 7	B 8	B 9	Rev. B

CAT. NO. & DIMENSIONS

NO. OF CONTACTS (n)	CAT. NO.	DIMENSIONS (NOTE2)			
		A ± 0.2	B ± 0.2	C ± 0.2	D ± 0.1
4	SFW4R-3/4ST__LF	9.8	8.6	3.0	3.92
5	SFW5R-3/4ST__LF	10.8	9.6	4.0	4.92
6	SFW6R-3/4ST__LF	11.8	10.6	5.0	5.92
7	SFW7R-3/4ST__LF	12.8	11.6	6.0	6.92
8	SFW8R-3/4ST__LF	13.8	12.6	7.0	7.92
9	SFW9R-3/4ST__LF	14.8	13.6	8.0	8.92
10	SFW10R-3/4ST__LF	15.8	14.6	9.0	9.92
11	SFW11R-3/4ST__LF	16.8	15.6	10.0	10.92
12	SFW12R-3/4ST__LF	17.8	16.6	11.0	11.92
13	SFW13R-3/4ST__LF	18.8	17.6	12.0	12.92
14	SFW14R-3/4ST__LF	19.8	18.6	13.0	13.92
15	SFW15R-3/4ST__LF	20.8	19.6	14.0	14.92
16	SFW16R-3/4ST__LF	21.8	20.6	15.0	15.92
17	SFW17R-3/4ST__LF	22.8	21.6	16.0	16.92
18	SFW18R-3/4ST__LF	23.8	22.6	17.0	17.92
19	SFW19R-3/4ST__LF	24.8	23.6	18.0	18.92
20	SFW20R-3/4ST__LF	25.8	24.6	19.0	19.92
21	SFW21R-3/4ST__LF	26.8	25.6	20.0	20.92
22	SFW22R-3/4ST__LF	27.8	26.6	21.0	21.92
23	SFW23R-3/4ST__LF	28.8	27.6	22.0	22.92
24	SFW24R-3/4ST__LF	29.8	28.6	23.0	23.92
25	SFW25R-3/4ST__LF	30.8	29.6	24.0	24.92
26	SFW26R-3/4ST__LF	31.8	30.6	25.0	25.92
27	SFW27R-3/4ST__LF	32.8	31.6	26.0	26.92
28	SFW28R-3/4ST__LF	33.8	32.6	27.0	27.92
29	SFW29R-3/4ST__LF	34.8	33.6	28.0	28.92
30	SFW30R-3/4ST__LF	35.8	34.6	29.0	29.92

CAT. NO. SFW (n) R - 3 ST ___ LF

SERIES NAME

NO. OF CONTACTS

RIGHT ANGLE TYPE

FOR FPC/FFC, WITH CABLE LOCK MECHANISM

CONTACT DIRECTION
3. LOWER CONTACT TYPE
4. UPPER CONTACT TYPE

FOR AUTOMATIC MOUNTING (SMT)

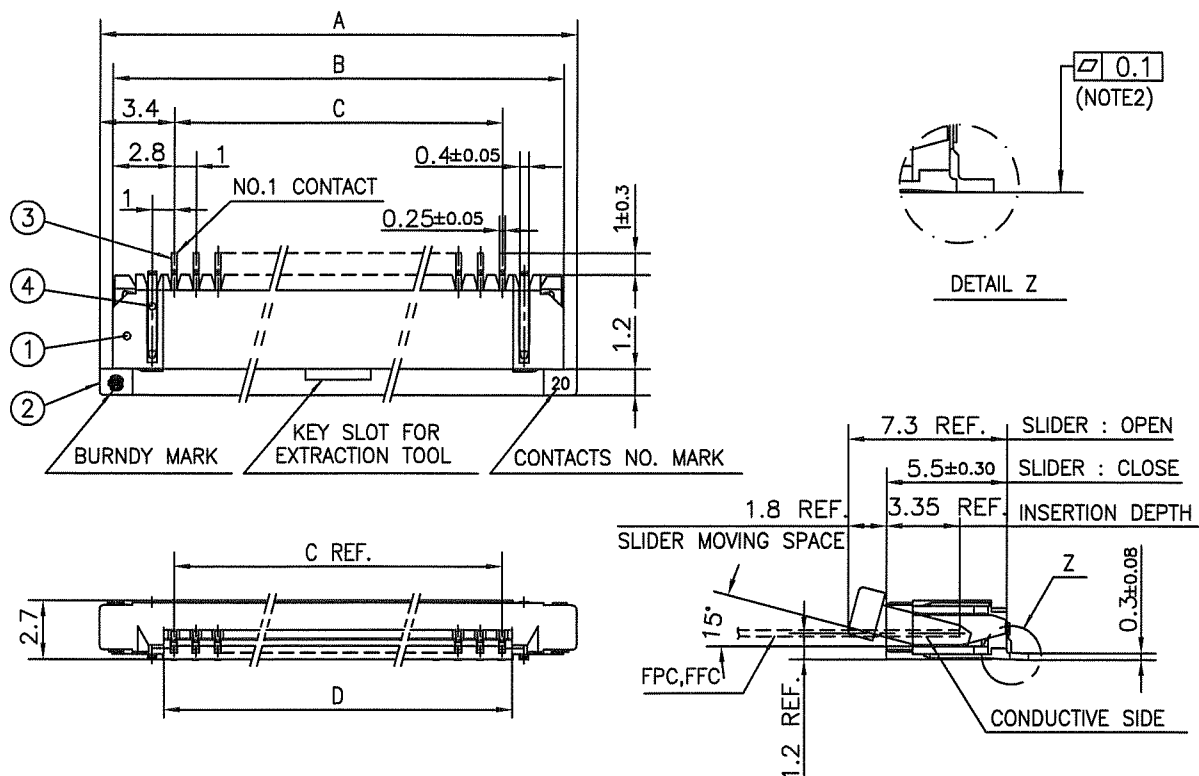
PACKAGE STYLE

LEAD FREE

NOTES

1. THIS PRODUCT IS THE CONNECTOR USED FOR FPC/FFC AND COPEES WITH AUTOMATIC MOUNTING (SMT).
2. SEE PART DRAWINGS FOR DIMENSIONS A~D.
3. THIS PRODUCT IS THE CONNECTOR WITH CABLE LOCK MECHANISM.

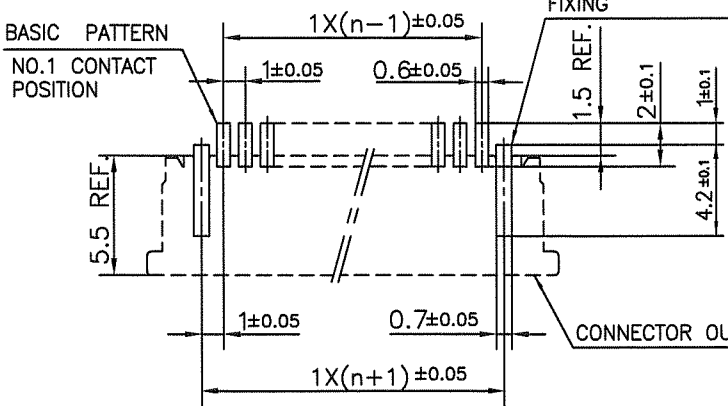
mat'l. code				surface 58 / ISO 1302		tolerance ISO 406 / ISO 1101		projection		product family 58RF		CODE JP			
ltr ecn no dr date				tolerances unless otherwise specified				mm		title CAT NO. TABLE FOR 1mm SPACING SMT CONNECTOR (Cat. No. SFW__R-3/4ST__LF)					
B				angles linear		scale X		FCI		dwg no 10102592		sheet 2 of 9 size A4			
dr H.YAHAGIWA 2009-10-27				engr H.YAHAGIWA 2009-10-27				chr S. W. 2009-10-27		appd S. W. 2009-10-27		type Product Customer Drawing		Rev. B	
sheet index		revision sheet													



PT. NO.	PARTS NAME	MATERIAL	Q'TY	NOTE
1	HOUSING	PPS RESIN GLASS REINFORCED (UL94V-0)	1	COLOR : BLACK
2	SLIDER		1	COLOR : BROWN
3	CONTACT	PHOSPHOR BRONZE	n	PLATING : TIN
4	MOUNTING PLATE		2	

n : NO. OF CONTACTS

RECOMMENDED PC BOARD LAYOUT (COMPONENT SIDE)

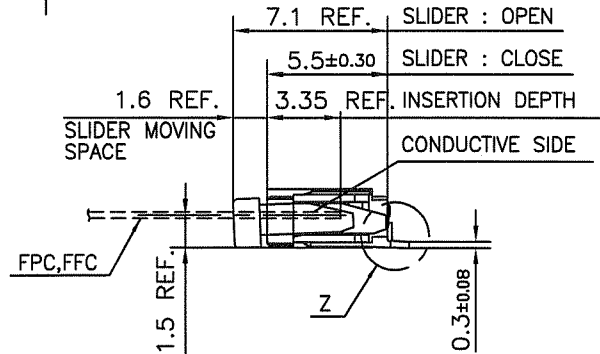
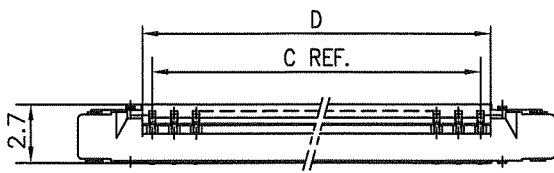
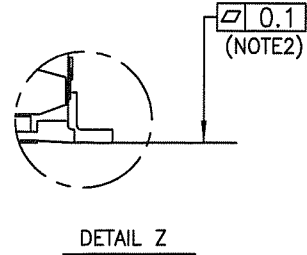
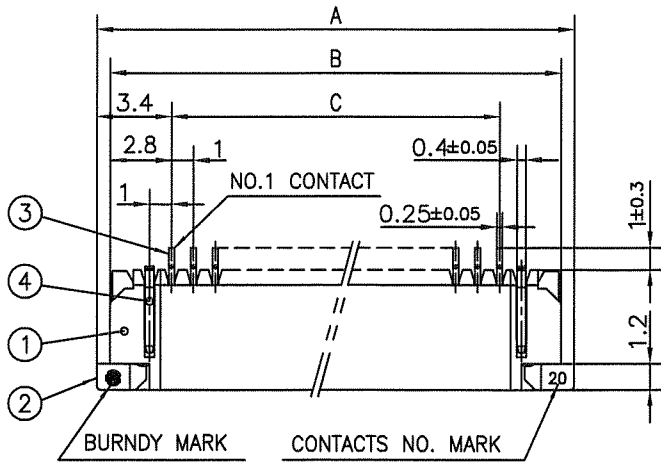


NOTES

1. THIS PRODUCT IS THE CONNECTOR USED FOR FPC/FFC AND COPES WITH AUTOMATIC MOUNTING (SMT).
2. FLATNESS FOR CONTACT TERMINAL HOUSING MUST BE WITHIN TOLERANCE IN Z PORTION DETAILED DRAWING.
3. THIS PRODUCT IS LOWER CONTACT TYPE CONNECTOR WITH CABLE LOCK MECHANISM.
4. THIS PRODUCT MEETS EUROPEAN UNION DIRECTIVES AND OTHER COUNTRY REGULATIONS AS DESCRIBED IN GS-22-008
5. THE HOUSING WILL WITHSTAND EXPOSURE TO 260°C PEAK TEMPERATURE FOR 10 SECONDS IN A REFLOW SOLDERING OVEN.



mat'l. code				surface 58/ISO 1302	tolerance ISO 406/ISO 1101	projection	product family 58RF	CODE JP
ltr	ecn no	dr	date	tolerances unless otherwise specified		mm	title	
B				angles	linear ±0.2		1mm SPACING SMT CONNECTOR (Cat. No. SFW__R-3ST__LF)	
				dr	H. YAMAGUCHI	2009-10-27	dwg no sheet 3 of 9 size	
				enr	H. YAMAGUCHI	2009-10-27	10102592 A4	
				chr	S. MITSUKI	2009-10-27	type Product Customer Drawing	
				appd	J. Nakamura	2009-10-27		
sheet index	revision sheet							Rev. B



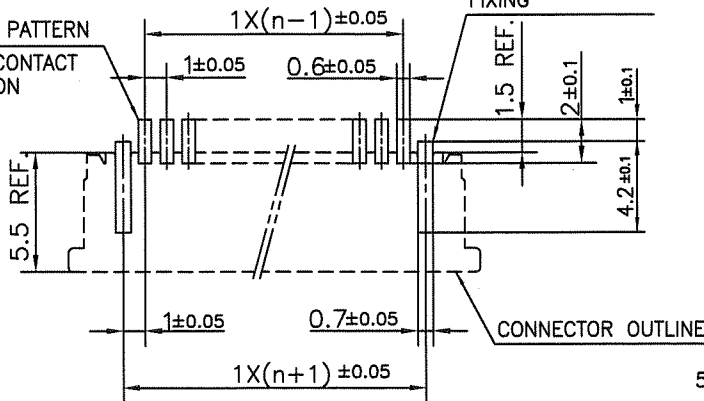
PT. NO.	PARTS NAME	MATERIAL	Q'TY	NOTE
1	HOUSING	PPS RESIN GLASS REINFORCED (UL94V-0)	1	COLOR : BLACK
2	SLIDER		1	COLOR : BROWN
3	CONTACT	PHOSPHOR BRONZE	n	PLATING : TIN
4	MOUNTING PLATE		2	

n : NO. OF CONTACTS

RECOMMENDED PC BOARD LAYOUT (COMPONENT SIDE)

BASIC PATTERN

NO.1 CONTACT POSITION



NOTES

1. THIS PRODUCT IS THE CONNECTOR USED FOR FPC/FFC AND COPES WITH AUTOMATIC MOUNTING (SMT).
2. FLATNESS FOR CONTACT TERMINAL HOUSING MUST BE WITHIN TOLERANCE IN Z PORTION DETAILED DRAWING.
3. THIS PRODUCT IS UPPER CONTACT TYPE CONNECTOR WITH CABLE LOCK MECHANISM.
4. THIS PRODUCT MEETS EUROPEAN UNION DIRECTIVES AND OTHER COUNTRY REGULATIONS AS DESCRIBED IN GS-22-008

5. THE HOUSING WILL WITHSTAND EXPOSURE TO 260°C PEAK TEMPERATURE FOR 10 SECONDS IN A REFLOW SOLDERING OVEN.

mat'l. code				surface 58/ISO 1302	tolerance ISO 406/ISO 1101	projection	product family 58RF	CODE JP
ltr B	ecn no	dr	date	tolerances unless otherwise specified		mm	title	
				angles	linear ±0.2		1mm SPACING SMT CONNECTOR (Cat. No. SFW__R-4ST__LF)	
		dr	M. YAMASHITA	2009-10-27		scale X	dwg no	sheet 4 of 9 size
		engr	M. YAMASHITA	2009-10-27		FCJ	10102592 A4	
		chr	B. Watanabe	2009-10-27			type Product Customer Drawing	
		appd	S. Okada	2009-10-27				
sheet index	revision sheet							Rev. B



FCJconnect.com

Copyright FCJ.

CAT. NO. & DIMENSIONS

NO. OF CONTACTS (n)	CAT. NO. (NOTE2)	DIMENSIONS (NOTE3)		
		E MAX.	F ± 0.3	G ± 0.1
4	SFW4R-3/4STE5LF	22.4	16	—
5	SFW5R-3/4STE5LF	30.4	24	—
6	SFW6R-3/4STE5LF	30.4	24	—
7	SFW7R-3/4STE5LF	30.4	24	—
8	SFW8R-3/4STE5LF	30.4	24	—
9	SFW9R-3/4STE5LF	30.4	24	—
10	SFW10R-3/4STE5LF	30.4	24	—
11	SFW11R-3/4STE5LF	30.4	24	—
12	SFW12R-3/4STE5LF	30.4	24	—
13	SFW13R-3/4STE5LF	38.4	32	28.4
14	SFW14R-3/4STE5LF	38.4	32	28.4
15	SFW15R-3/4STE5LF	38.4	32	28.4
16	SFW16R-3/4STE5LF	38.4	32	28.4
17	SFW17R-3/4STE5LF	50.4	44	40.4
18	SFW18R-3/4STE5LF	50.4	44	40.4
19	SFW19R-3/4STE5LF	50.4	44	40.4
20	SFW20R-3/4STE5LF	50.4	44	40.4
21	SFW21R-3/4STE5LF	50.4	44	40.4
22	SFW22R-3/4STE5LF	50.4	44	40.4
23	SFW23R-3/4STE5LF	50.4	44	40.4
24	SFW24R-3/4STE5LF	50.4	44	40.4
25	SFW25R-3/4STE5LF	50.4	44	40.4
26	SFW26R-3/4STE5LF	50.4	44	40.4
27	SFW27R-3/4STE5LF	50.4	44	40.4
28	SFW28R-3/4STE5LF	62.4	56	52.4
29	SFW29R-3/4STE5LF	62.4	56	52.4
30	SFW30R-3/4STE5LF	62.4	56	52.4

CAT. NO. SFW (n) R - 3 ST E5 LF

SERIES NAME

NO. OF CONTACTS

RIGHT ANGLE TYPE

FOR FPC/FFC, WITH CABLE LOCK MECHANISM

CONTACT DIRECTION

3. LOWER CONTACT TYPE
4. UPPER CONTACT TYPE

FOR AUTOMATIC MOUNTING (SMT)

TAPE PACKAGING FOR E5 (1500pcs PER REEL)

LEAD FREE

NOTES

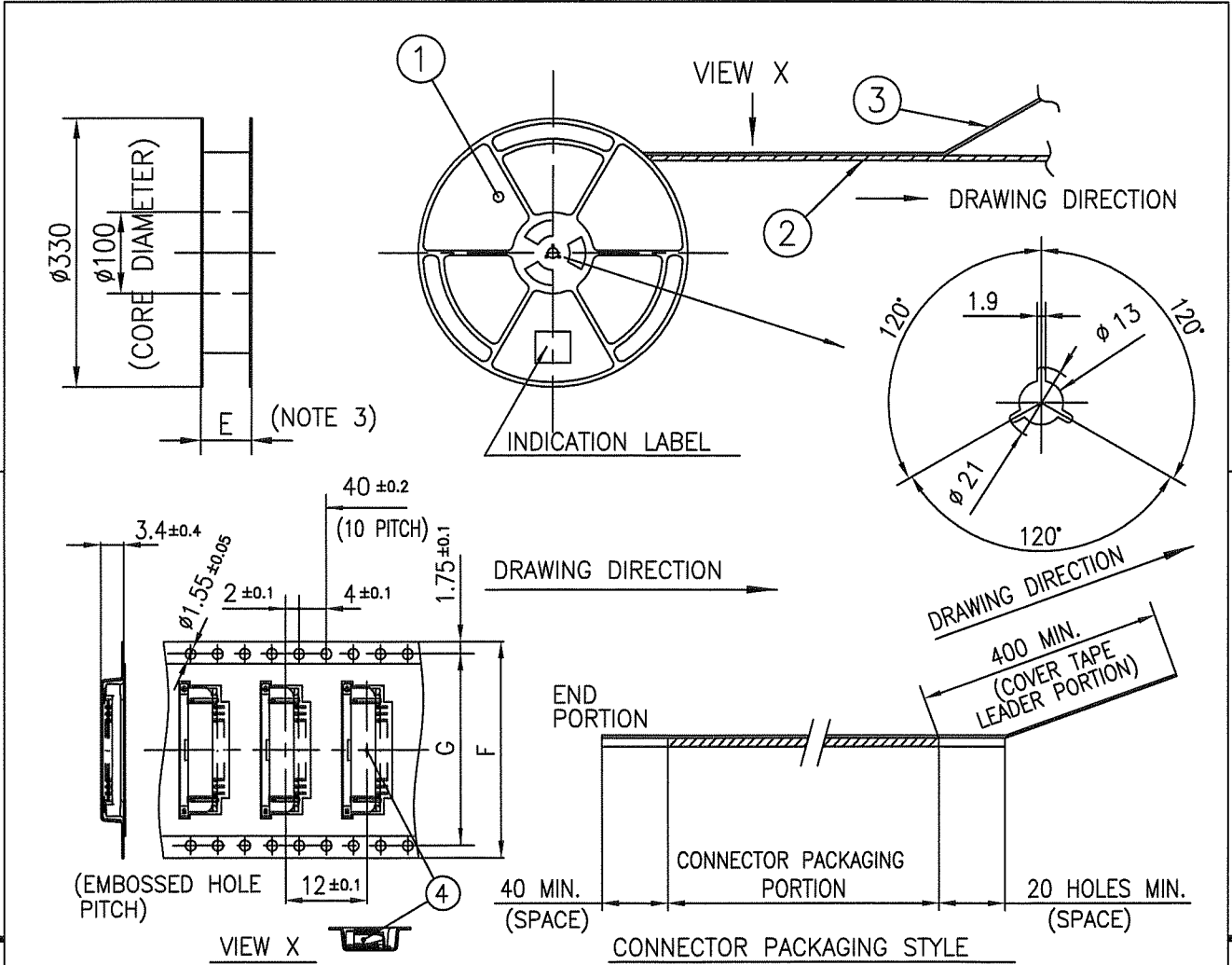
1. THIS PRODUCT IS THE CONNECTOR USED FOR FPC/FFC AND COPE WITH AUTOMATIC MOUNTING (SMT).
2. THIS CATALOG NO. INDICATES PLASTIC TAPE PACKAGED CONNECTOR.
3. SEE PART DRAWINGS FOR DIMENSIONS E~G.
4. THIS PRODUCT IS THE CONNECTOR WITH CABLE LOCK MECHANISM.

mat'l. code				surface 58 / ISO 1302		tolerance ISO 406 / ISO 1101		projection		product family 58RF		CODE JP	
ltr B		ecn no		dr		date		tolerances unless otherwise specified		title CAT NO. TABLE FOR PLASTIC TAPE PACKAGED 1mm SPACING SMT CONNECTOR (Cat. No. SFW__R-3/4STE5LF)		dwg no 10102592 sheet 5 of 9 size A4	
				angles		linear		mm					
				dr		2009-10-27		FCI		type Product Customer Drawing		Rev. B	
				enr		2009-10-27							
				chr		2009-10-27							
				appd		2009-10-27							
sheet index		revision sheet											



FCIconnect.com

Copyright FCI.

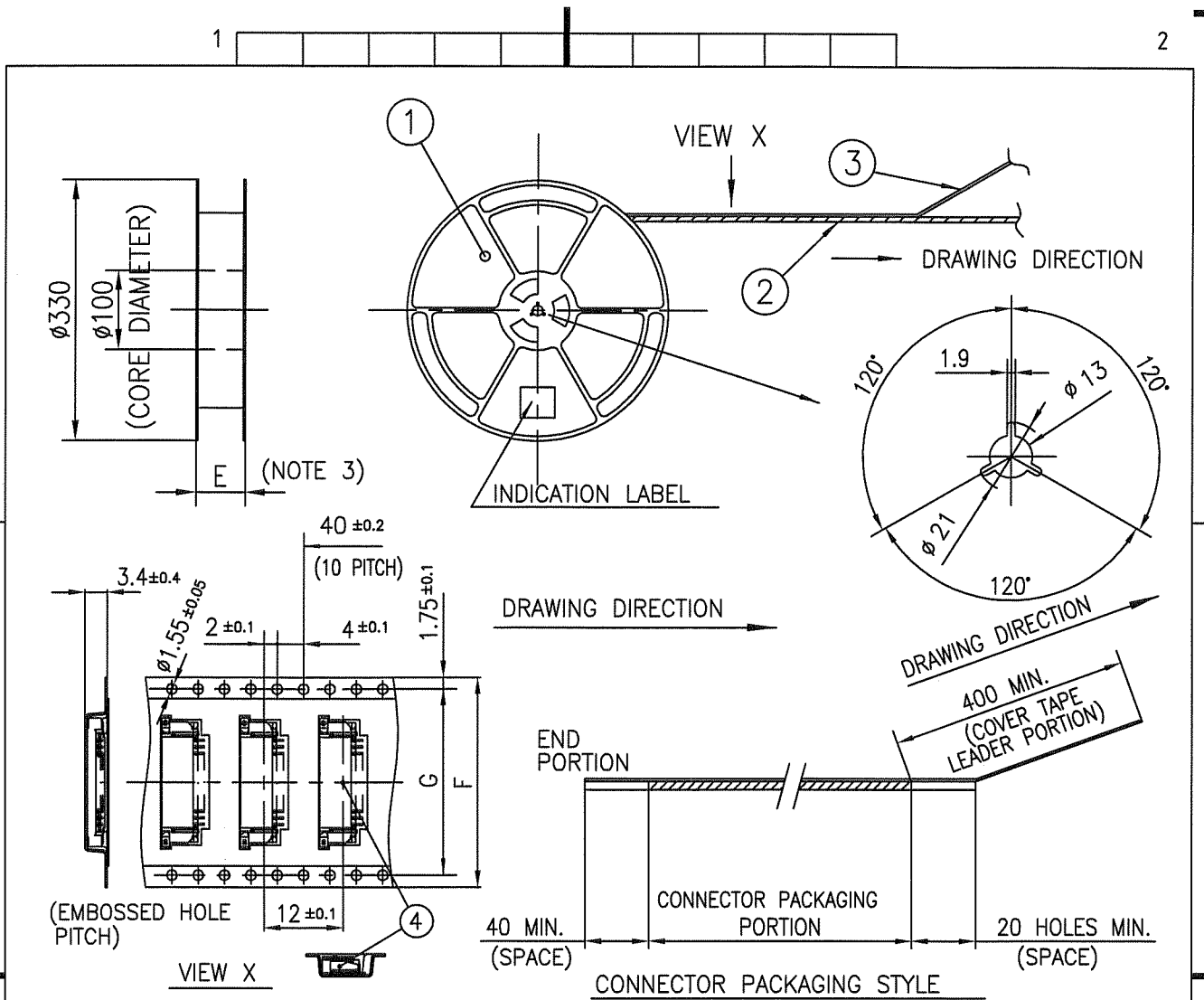


PT. NO.	PARTS NAME	CAT. NO.	MATERIAL	Q'TY	NOTE
1	REEL	---	POLYSTYRENE	1	COLOR : WHITE/BLACK
2	PLASTIC (EMBOSS) TAPE	---	PET	---	COLOR : TRANSPARENCY (CLEAR)
3	COVER	---	POLYESTER	---	COLOR : TRANSPARENCY (CLEAR)
4	CONNECTOR	SFW_R-3ST_LF	SEE ATTACHED DWG.	1500	LOWER CONTACT TYPE

NOTES

1. THIS IS PLASTIC TAPE PACKAGED CONNECTOR WITH CABLE LOCK MECHANISM USED FOR FPC/FFC AND COPEs WITH AUTOMATIC MOUNTING (SMT).
2. SEE JIS C 0806 (PACKING OF ELECTRONIC COMPONENTS ON CONTINUOUS TAPES (SURFACE MOUNTING DEVICES)) FOR SHAPE AND DIMENSIONS OF PLASTIC (EMBOSS) TAPE AND REEL.
3. E DIMENSION IS PORTION OF THE CORE.

mat'l. code		surface ISO 1302	tolerance ISO 406 ISO 1101	projection	product family	58RF	CODE JP	
ltr	ecn no	dr	date	tolerances unless otherwise specified	mm	title		
B				angles linear		PLASTIC TAPE PACKAGED 1mm SPACING SMT CONNECTOR (Cat. No. SFW_R-3STE5LF)		
				±5°	scale	X		
				dr	dwg no		sheet 6 of 9	
				enrg	10102592		size	
				chr			A4	
				appd	type		Product Customer Drawing	
sheet index	revision sheet							Rev. B



PT. NO.	PARTS NAME	CAT. NO.	MATERIAL	Q'TY	NOTE
1	REEL	_____	POLYSTYRENE	1	COLOR : WHITE/BLACK
2	PLASTIC (EMBOSS) TAPE	_____	PET	_____	COLOR : TRANSPARENCY (CLEAR)
3	COVER	_____	POLYESTER	_____	COLOR : TRANSPARENCY (CLEAR)
4	CONNECTOR	SFW__R-4ST__LF	SEE ATTACHED DWG.	1500	UPPER CONTACT TYPE

NOTES

1. THIS IS PLASTIC TAPE PACKAGED CONNECTOR WITH CABLE LOCK MECHANISM USED FOR FPC/FFC AND COPEs WITH AUTOMATIC MOUNTING (SMT).
2. SEE JIS C 0806 (PACKING OF ELECTRONIC COMPONENTS ON CONTINUOUS TAPES (SURFACE MOUNTING DEVICES)) FOR SHAPE AND DIMENSIONS OF PLASTIC (EMBOSS) TAPE AND REEL.
3. E DIMENSION IS PORTION OF THE CORE.

mat'l. code		surface ISO 1302 ✓		tolerance ISO 406 ISO 1101		projection		product family 58RF		CODE JP	
ltr	ecn no	dr	date	tolerances unless otherwise specified		mm		title PLASTIC TAPE PACKAGED 1mm SPACING SMT CONNECTOR (Cat. No. SFW__R-4STE5LF)			
B				angles	linear	±5					
				±5°		scale X					
		dr	<i>M. Yamamoto</i>			2009-10-27		dwg no		sheet 7 of 9	size
		enrg	<i>M. Yamamoto</i>			2009-10-27		10102592			A4
		chr	<i>S. Watanabe</i>			2009-10-27		type Product Customer Drawing			
		appd	<i>S. Ueda</i>			2009-10-27					
sheet index	revision sheet										Rev. B

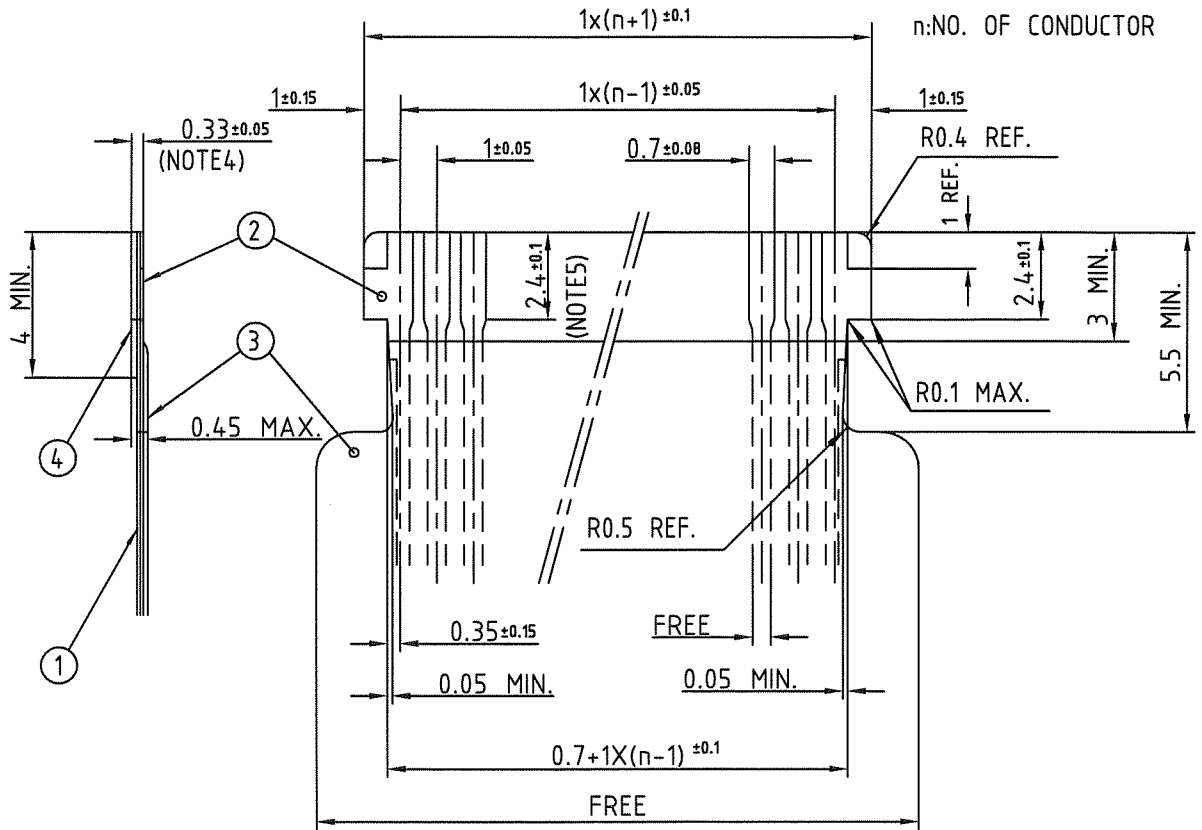


FCIconnect.com

Copyright FCI.



RECOMMENDED CABLE (FPC)



PT. NO.	PARTS NAME	MATERIAL	THICKNESS (um)
1	BASE FILM	POLYIMIDE OR POLYESTER OR EQUAL	25
2	CONDUCTOR	COPPER FOIL(PLATING : SOLDER 1um MIN.)	35
3	OVERLAY	POLYIMIDE OR POLYESTER OR EQUAL	—
4	SUPPORTING TAPE	POLYESTER OR POLYIMIDE OR EQUAL	188

- NOTES
1. THIS DRAWING INDICATES THE FPC USED THE CONNECTOR WITH CABLE LOCK MECHANISM.
 2. NO BURR AT EACH PORTION.
 3. NO PEELING IN COMMON USE.
 4. TOTAL THICKNESS LIMIT OF EACH MATERIAL (INCLUDING ADHESIVE AGENT) IS SPECIFIED.
 5. THIS DIMENSION INDICATES THE RANGE FOR 0.7 ± 0.08 CONDUCTOR WIDTH.

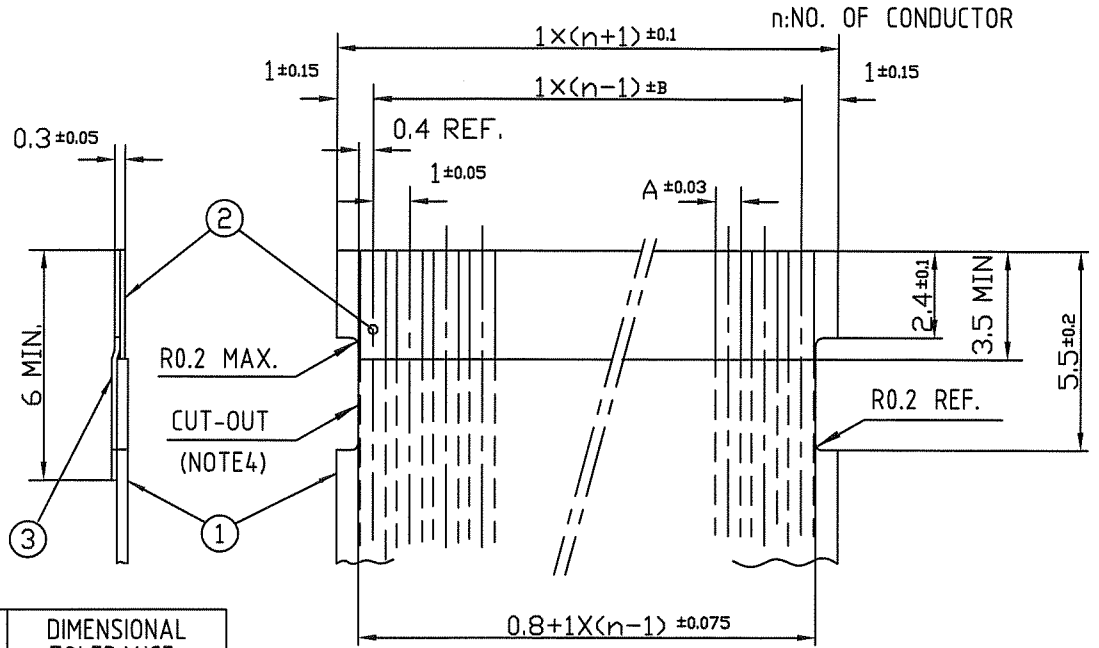
mat'l. code		surface 58/ISO 1302		tolerance ISO 406/ISO 1101		projection		product family 58RF		CODE JP	
ltr B		ecn no		dr		date		title		RECOMMENDED CABLE (Cat. No. SFW_R-3/4)	
		angles		linear		mm		scale X		dwg no 10102592	
		dr		M. Yamashita		2009-10-27		sheet 8 of 9		size A4	
		enr		M. Yamashita		2009-10-27		type Product Customer Drawing			
		chr		S. W. H. L.		2009-10-27					
		appd		S. D. S.		2009-10-27					
sheet index		revision sheet								Rev. B	



FCIconnect.com

Copyright FCI.

RECOMMENDED CABLE (FFC)



KIND OF FFC (NOTE5)	DIMENSIONAL TOLERANCE	
	A	B
1	0.7	0.1
2	0.6	0.07

PT. NO.	PARTS NAME	MATERIAL	NOTE
1	INSULATOR	FLAME RESISTING POLYESTER OR EQUAL	_____
2	CONDUCTOR	COPPER FOIL	PLATING: TIN OR SOLDER 1um MIN.
3	SUPPORTING TAPE	FLAME RESISTING POLYESTER OR EQUAL	_____

- NOTES
1. THIS DRAWING INDICATES THE FFC USED THE CONNECTOR WITH CABLE LOCK MECHANISM.
 2. NO BURR AT EACH PORTION.
 3. NO PEELING IN COMMON USE.
 4. THERE IS A POSSIBILITY THAT THE CAT-OUT CROSSES THE CONDUCTOR BECAUSE OF DIMENSIONAL TOLERANCE.
 5. EITHER KIND1 OR KIND2 OF FFC CAN ACCEPT DIMENSIONAL TOLERANCE a AND b.

mat'l. code		surface 58 / tolerance ISO 1302		ISO 406 / ISO 1101		projection		product family 58RF		CODE JP	
ltr		ecn no		dr		date		title		RECOMMENDED CABLE (Cat. No. SFW_R-3/4_)	
B								mm		scale X	
sheet index		revision sheet		dr		M. YAMAGUCHI 2009-10-27		dwg no		sheet 9 of 9 size A4	
				enr		M. YAMAGUCHI 2009-10-27		10102592			
				chr		S. Watanabe 2009-10-27		type		Product Customer Drawing	
				appd		J. Nishimura 2009-10-27				Rev. B	