



Chipsmall Limited consists of a professional team with an average of over 10 year of expertise in the distribution of electronic components. Based in Hongkong, we have already established firm and mutual-benefit business relationships with customers from,Europe,America and south Asia,supplying obsolete and hard-to-find components to meet their specific needs.

With the principle of “Quality Parts,Customers Priority,Honest Operation,and Considerate Service”,our business mainly focus on the distribution of electronic components. Line cards we deal with include Microchip,ALPS,ROHM,Xilinx,Pulse,ON,Everlight and Freescale. Main products comprise IC,Modules,Potentiometer,IC Socket,Relay,Connector.Our parts cover such applications as commercial,industrial, and automotives areas.

We are looking forward to setting up business relationship with you and hope to provide you with the best service and solution. Let us make a better world for our industry!



## Contact us

Tel: +86-755-8981 8866 Fax: +86-755-8427 6832

Email & Skype: info@chipsmall.com Web: www.chipsmall.com

Address: A1208, Overseas Decoration Building, #122 Zhenhua RD., Futian, Shenzhen, China



# 3GHz low phase noise CW signal generator

Model Name : **SG010M3R0GB**

**RoHS Compliant**  
Directive 2011/65/EU



< Features >

- Output frequency : 10MHz to 3GHz (1Hz step)
- Low phase noise : Typ. -95dBc/Hz@10kHz, 3GHz carrier
- Compact and lightweight : 224 x 320.5 x 99mm approx. 3.5kg
- Low power consumption : 40VA or below

< Application >

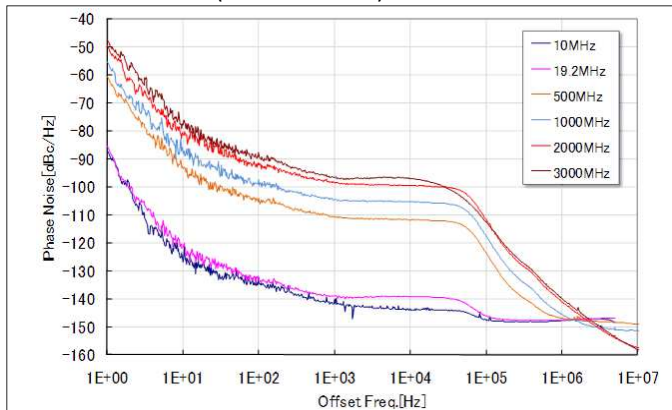
**1) As research and development equipment**

Capable of multilevel modulation for data communication with enhanced speed; also manages the evaluation of analog circuits for multi-carrier transmission equipment

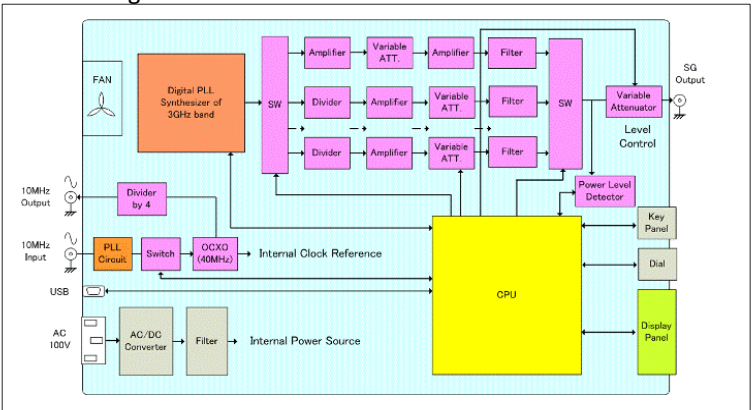
**2) As inspection equipment for communication device production lines**

For generation of sampling clock signals for A/D converters as well as D/A converters in high speed/high precision digital communications

< Phase Noise > (Pout=+12dBm)



< Block Diagram >



< Specifications >

Items	Specifications	
Output frequency range	10MHz to 3000MHz	
Frequency step	1Hz	
Output power	-20dBm to +12dBm ( Precision of output power : within ±1.0dB )	
Output power step	0.1dB	
Frequency setting time	0.1 sec or below	
Frequency stability	Temperature characteristics : within 20ppb / 0°C to +40°C (based on the frequency at +25°C) Aging stability within ± 0.1ppm/year (Based on the frequency 30days after power activation)	
Phase noise at 10kHz offset (typ. )	10MHz to 20MHz	-137dBc / Hz
	20MHz to 50MHz	-125dBc / Hz
	50MHz to 180MHz	-119dBc / Hz
	180MHz to 375MHz	-113dBc / Hz
	375MHz to 750MHz	-107dBc / Hz
	750MHz to 1.5GHz	-101dBc / Hz
	1.5GHz to 3GHz	-95dBc / Hz
Spurious	Harmonic : 10MHz to 20MHz	-15dBc or below
	Harmonic : 20MHz to 3GHz	-30dBc or below
	Non-harmonic	-60dBc or below
Power consumption	40VA or below	
Operational temperature range	0 to +40 °C (Relative humidity : 95%or below)	
External dimensions	224(W) x 320.5(D) x 99(H)mm (Except the terminal and projection)	
Weight	3.5kg or below	

[Contact] Sales representative

E-Mail : callct@ndk.com Phone : +81-3-5453-6751