



Chipsmall Limited consists of a professional team with an average of over 10 year of expertise in the distribution of electronic components. Based in Hongkong, we have already established firm and mutual-benefit business relationships with customers from,Europe,America and south Asia,supplying obsolete and hard-to-find components to meet their specific needs.

With the principle of "Quality Parts,Customers Priority,Honest Operation,and Considerate Service",our business mainly focus on the distribution of electronic components. Line cards we deal with include Microchip,ALPS,ROHM,Xilinx,Pulse,ON,Everlight and Freescale. Main products comprise IC,Modules,Potentiometer,IC Socket,Relay,Connector.Our parts cover such applications as commercial,industrial, and automotives areas.

We are looking forward to setting up business relationship with you and hope to provide you with the best service and solution. Let us make a better world for our industry!



Contact us

Tel: +86-755-8981 8866 Fax: +86-755-8427 6832

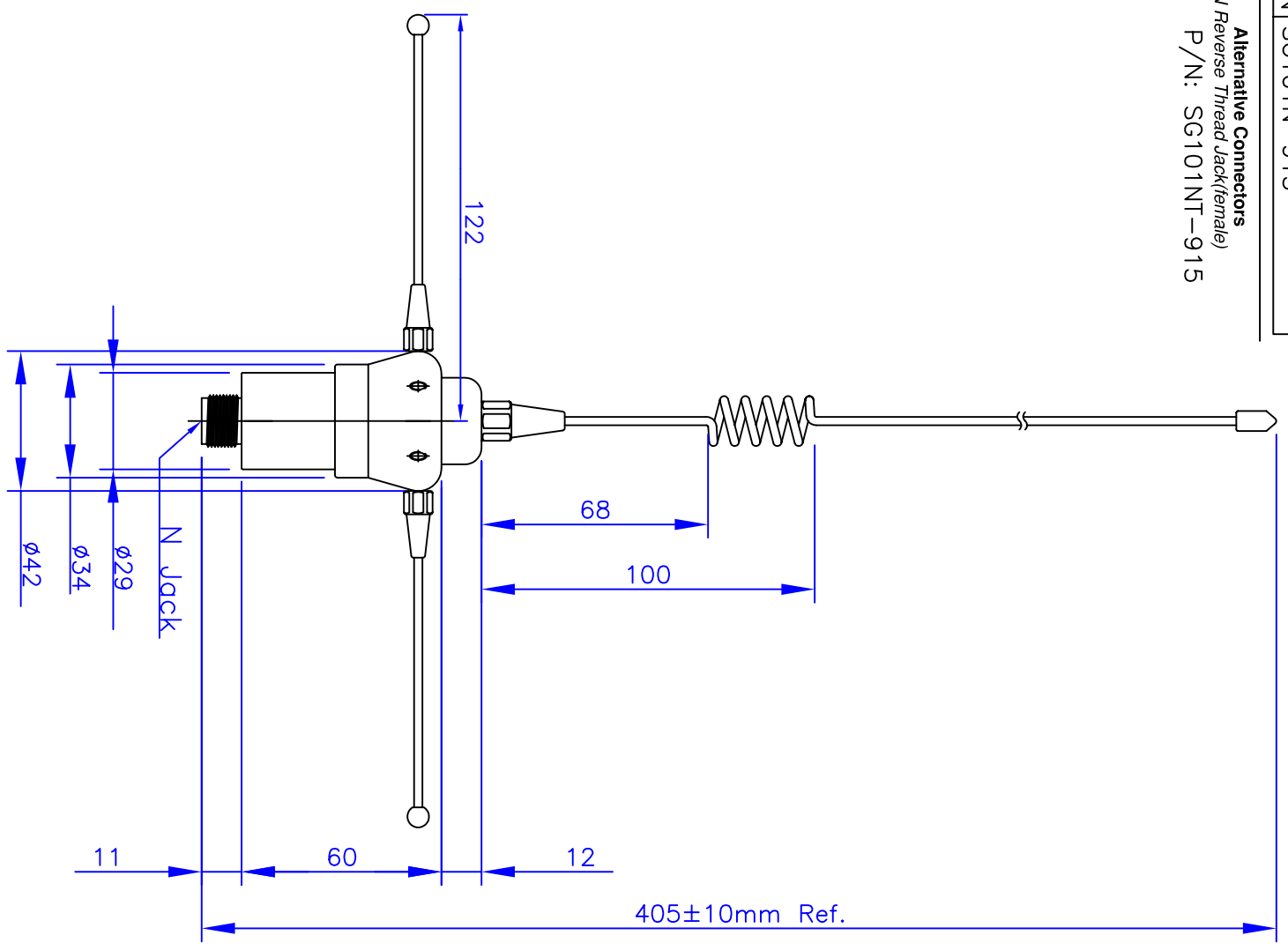
Email & Skype: info@chipsmall.com Web: www.chipsmall.com

Address: A1208, Overseas Decoration Building, #122 Zhenhua RD., Futian, Shenzhen, China



P/N SG101N-915

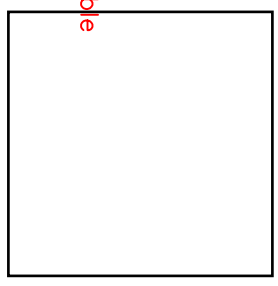
Alternative Connectors
 N Reverse Thread Jack(Female)
 P/N: SG101NT-915



Electrical Properties:

Operation Frequency: 902MHz ~ 928MHz
 Impedance: 50 ohms nominal
 Gain: 5dBi*
 VSWR: < 2.0
 Radiation: Omni
 Polarization: Vertical

*Gain is measured without cable



Mechanical Properties:

Antenna: Base Station Outdoors Application
 Antenna Whip Length: 16 in. (405±10mm).
 Connector: N Female connector
 Mounting base: Zinc Alloy with chrome plated
 Guided pipe: Aluminum Alloy
 Mounting hardware included.
 Cable assembly attached in separate drawings upon request.

TITLE	900MHz Omni Directional Antenna		VER
UNIT	DWG. NO.	SG101N-915	1.0
mm			
SCALE	1:2		
NEARSON			
http://www.nearson.com			

