



Chipsmall Limited consists of a professional team with an average of over 10 year of expertise in the distribution of electronic components. Based in Hongkong, we have already established firm and mutual-benefit business relationships with customers from,Europe,America and south Asia,supplying obsolete and hard-to-find components to meet their specific needs.

With the principle of "Quality Parts,Customers Priority,Honest Operation,and Considerate Service",our business mainly focus on the distribution of electronic components. Line cards we deal with include Microchip,ALPS,ROHM,Xilinx,Pulse,ON,Everlight and Freescale. Main products comprise IC,Modules,Potentiometer,IC Socket,Relay,Connector.Our parts cover such applications as commercial,industrial, and automotives areas.

We are looking forward to setting up business relationship with you and hope to provide you with the best service and solution. Let us make a better world for our industry!



## Contact us

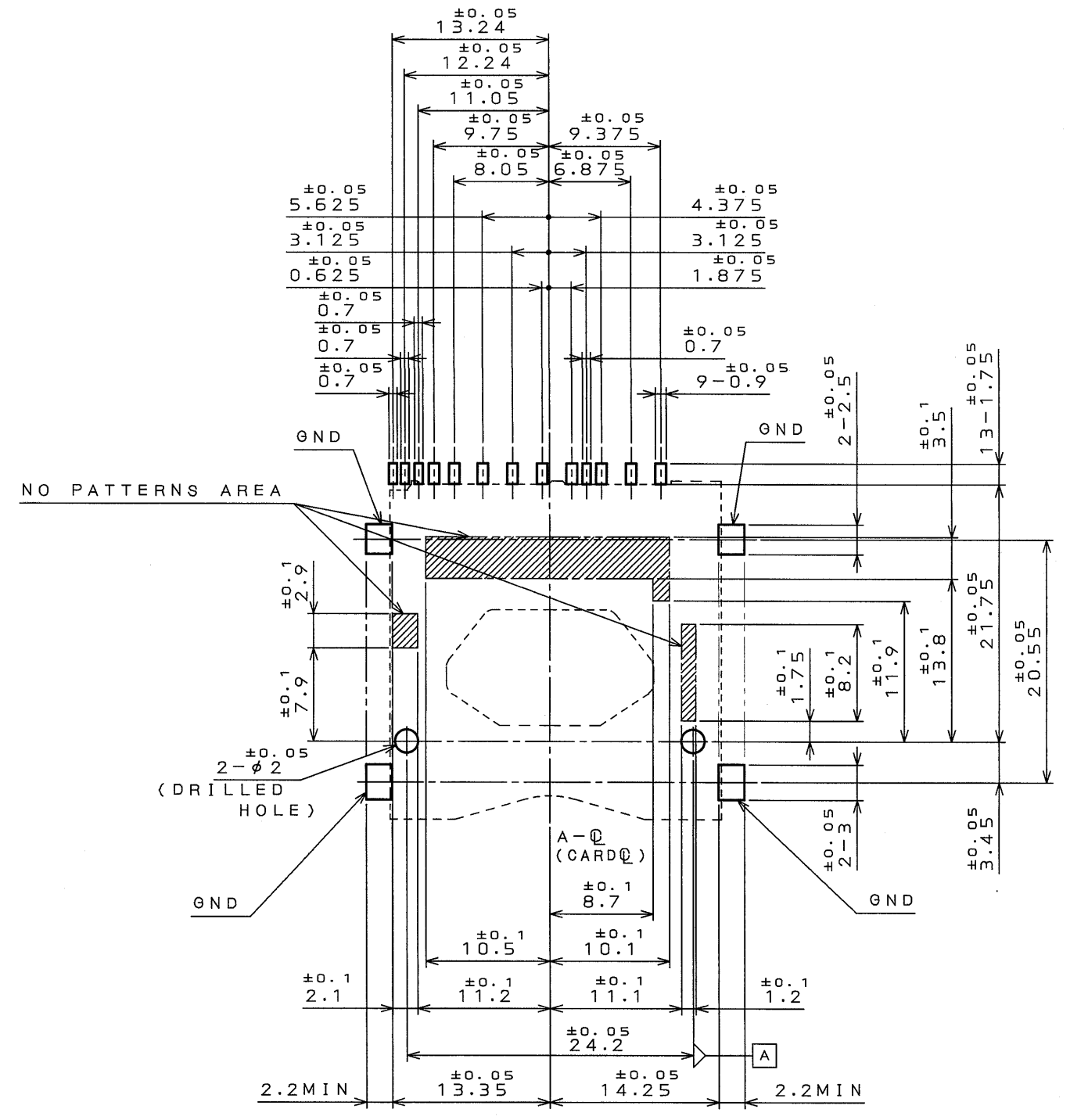
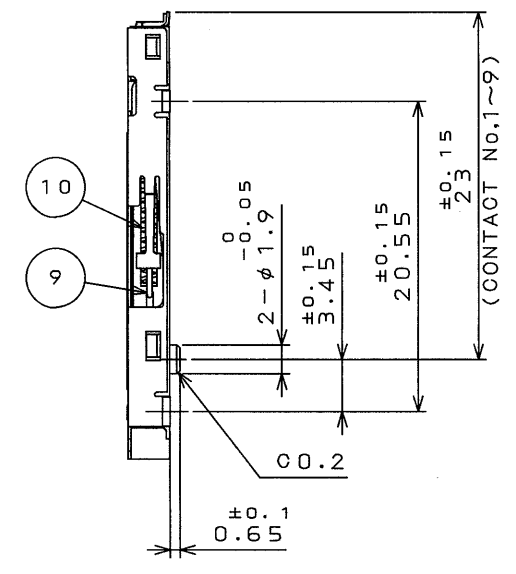
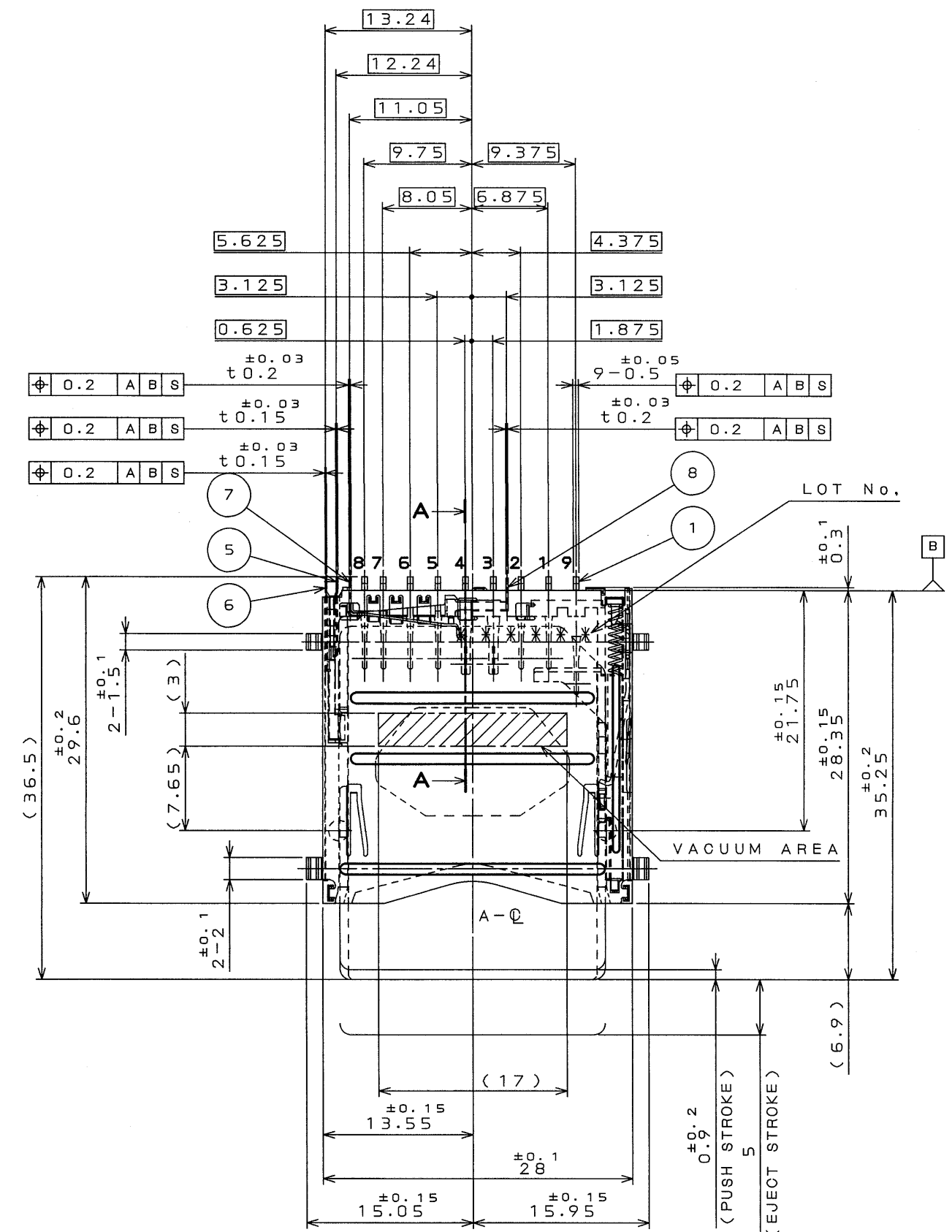
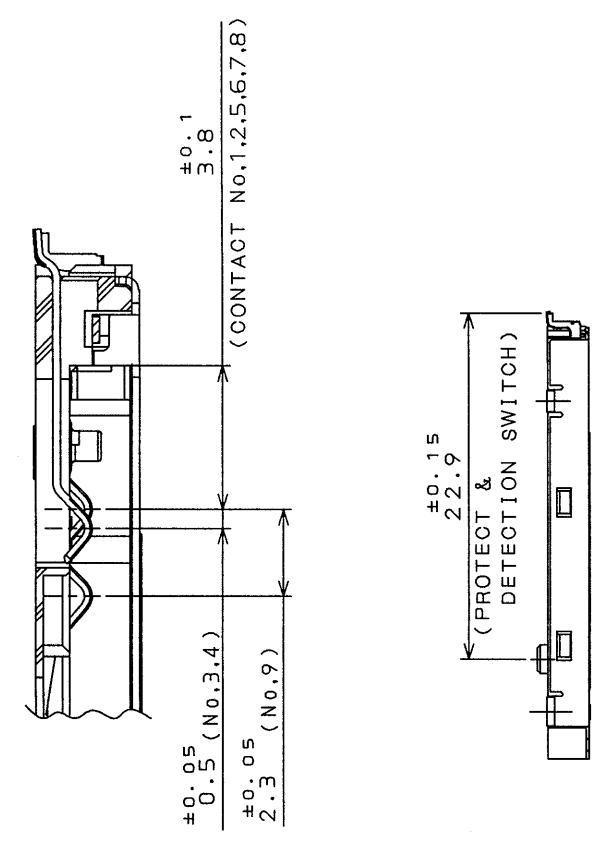
Tel: +86-755-8981 8866 Fax: +86-755-8427 6832

Email & Skype: info@chipsmall.com Web: www.chipsmall.com

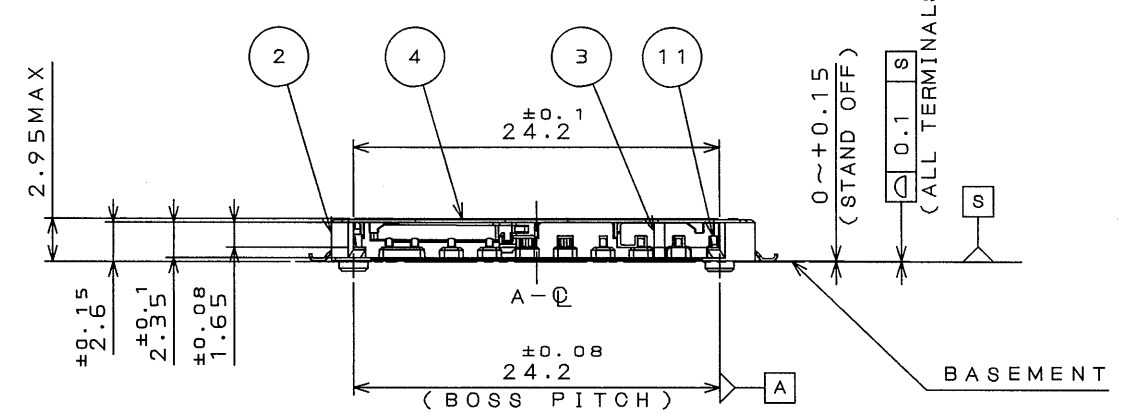
Address: A1208, Overseas Decoration Building, #122 Zhenhua RD., Futian, Shenzhen, China



版数 REV.	年月日 DATE	CON NO.	変更内容 DESCRIPTION	製図 DR.	担当 CHK.	査閲 APPD.	承認 APPD.



APPLICABLE P.C.B. DIMENSION (REF.)  
適合基板寸法 (参考)



NOTE1. Card Frictional locking function is available for inserted SD card only but not for MMC.  
NOTE2. The thickness of reinforcement board is 0.6MIN, when the product will mount on FPC.  
NOTE3. CIRCUIT (TABLE.1) (REFERENCE)  
注1. カードロック機能は、SDカードのみの対応と致します。(MMCでは作動しません)  
注2. FPC搭載時の補強板厚は0.6以上とする。  
注3. 回路図(表1)(参考)

TABLE 1. CIRCUIT (REF.)

	WITHOUT CARD	CARD INSERTED	
		WRITE PROTECT: LOCK	WRITE PROTECT: UNLOCK
PROTECT SWITCH	5 - GND	5 - GND	5 - GND
DETECTION SWITCH	7 - GND	7 - GND	7 - GND

符号 NO.	名称 DESCRIPTION	個数 QTY.	材料 MATERIAL	仕上 FINISH	備考 REMARKS
11	CARD LOCK	1	STAINLESS		
10	SPRING	1	PIANO WIRE	ZINC PLATING	
9	CAM FOLLOWER	1	STAINLESS		
8	DETECTION SWITCH CONTACT2	1	COPPER ALLOY		CONTACTING AREA: GOLD OVER NICKEL TERMINAL AREA: GOLD FLASH OVER NICKEL
7	DETECTION SWITCH CONTACT1	1	COPPER ALLOY		CONTACTING AREA: GOLD OVER NICKEL TERMINAL AREA: GOLD FLASH OVER NICKEL
6	PROTECT SWITCH CONTACT2	1	COPPER ALLOY		CONTACTING AREA: GOLD OVER NICKEL TERMINAL AREA: GOLD FLASH OVER NICKEL
5	PROTECT SWITCH CONTACT1	1	COPPER ALLOY		CONTACTING AREA: GOLD OVER NICKEL TERMINAL AREA: GOLD FLASH OVER NICKEL
4	COVER FRAME (WITH HOLD DOWN)	1	STAINLESS	REFLOW TIN PLATING	
3	EJECT BAR	1	GLASS FILLED NY		UL94 V-0
2	HOUSING	1	GLASS FILLED LCP		UL94 V-0
1	CONTACT	9	COPPER ALLOY		CONTACTING AREA: GOLD OVER NICKEL TERMINAL AREA: GOLD FLASH OVER NICKEL

仕様書 (SPECIFICATION) JACS-1666

第1版 (ORIGINAL DATE) 11.Apr.2002

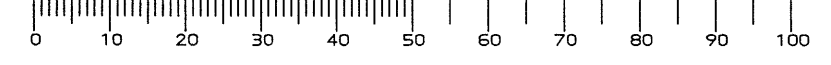
製図 DR. 担当 CHK. J.MOTOJIMA

承認 APPD. 承認 APPD. K. Syahi

図面番号 (DRAWING NO.) SJ036792

版数 (REV.) 1

DOF-0-213D (99.02)



C802-170-10101B

SIZE A2